

Microwave Oven

User Manual



MCB 25433 BG MCB 25433 X

EN | DE | FR | ES
PL | SL | CS | TR

01M-8849573200-1016-07

01M-8850123200-1016-07

beko




Please read this manual first!

Dear Customer,

Thank you for preferring a Beko product. We hope that you get the best results from your product which has been manufactured with high quality and state-of-the-art technology. Therefore, please read this entire user manual and all other accompanying documents carefully before using the product and keep it as a reference for future use. If you handover the product to someone else, give the user manual as well. Follow all warnings and information in the user manual.

Meanings of the symbols

Following symbols are used in the various section of this user manual:

	Important information and useful hints about usage.
	Warnings for dangerous situations concerning the safety of life and property.
	Warning for hot surfaces.



This product has been manufactured in environmental friendly modern plants without giving any harm to the nature.

This appliance conforms to the WEEE regulation.



It does not contain PCB.

CONTENTS

1 Important safety and environmental instructions 4

1.1 General safety	4
1.1.1 Electrical safety	6
1.1.2 Product safety	7
1.2 Intended use	8
1.3 Children's safety	9
1.4 Compliance with the WEEE Directive and disposal of waste products	10
1.5 Package information	10

2 Your microwave oven 11

2.1 Overview	11
2.2 Technical data	11
2.3 Installing the turntable	12

3 Installation and connection 13

3.1 Installation and connection	13
3.2 Built-in installation	14
3.2.1 Furniture dimensions for built-in installation	14
3.2.2 Preparing the cabinet	15
3.2.3 Fixing the oven	16
3.3 Radio interference	17
3.4 Microwave cooking principles	17
3.5 Grounding instructions	17
3.6 Utensil test	17

4 Operation 19

4.1 Control panel	19
4.2 Operating instructions	19
4.2.1 Setting the time	19
4.2.2 Cooking with microwave oven	19
4.2.3 Microwave keypad instructions	20
4.3 Cooking with grill or combination mode	20
4.3.1 (Grill/Combination) Keypad instructions	21
4.4 Convection	21
4.4.1 Convection Cooking (With preheating function)	21
4.4.2 Convection Cooking (Without pre-heating function)	21
4.5 Quick start	22

4.6 Defrost	22
4.6.1 Defrost by weight	22
4.6.2 Defrost by time	22
4.7 Kitchen timer (counter)	22
4.8 Auto menu	23
4.8.1 Auto cooking menu	24
4.9 Multi-step cooking	25
4.10 Query function	25
4.11 Child lock	25
4.12 Opening the oven door	25

5 Cleaning and maintenance 26

5.1 Cleaning	26
5.2 Storage	26

6 Troubleshooting 27

Important Safety Instructions Read Carefully And Keep For Future Reference

This section contains safety instructions that will help protect from risk of fire, electric shock, exposure to leak microwave energy, personal injury or property damage. Failure to follow these instructions shall void any warranty.

1.1 General safety

- The microwave oven is intended for heating food and beverages. Drying of food or clothing and heating of warming pads, slippers, sponges, damp cloth and similar may lead to risk of injury, ignition or fire.

This appliance is intended to be used in household and similar applications such as:

- Staff kitchen areas in shops, offices and other working environments;
- Farm houses
- By clients in hotels, motels and other residential type environments;
- Bed and Breakfast type environments.

- Do not attempt to start the oven when its door is open; otherwise you may be exposed to harmful microwave energy. Safety locks should not be disabled or tampered with.
- Do not place any object between the front side and the door of the oven. Do not allow dirt or cleaning agent remnants built-up on the closure surfaces.
- Any service works involving removal of the cover that provides protection against exposure to microwave energy must be performed by authorized persons/service. Any other approach is dangerous.
- Your product is intended for cooking, heating and defrost food at home. It must not be used for commercial purposes. Manufacturer shall not be held liable for damages that have arisen from misuse.
- Do not use this appliance outdoors, bathrooms, humid environments or in places where the it can get wet.

1

Important safety and environmental instructions

- No responsibility or warranty claim shall be assumed for damages arising from misuse or improper handling of the appliance.
 - Never attempt to dismantle the appliance. No warranty claims are accepted for damage caused by improper handling.
 - Only use the original parts or parts recommended by the manufacturer.
 - Do not leave this appliance unattended while it is in use.
 - Always use the appliance on a stable, flat, clean dry, and non-slip surface.
 - The appliance should not be operated with an external clock timer or separate remote control system.
 - Before using the appliance for the first time, clean all parts. Please see the details given in the "Cleaning and Maintenance" section.
 - Operate the appliance for its intended purpose only as described in this manual. Do not use abrasive chemicals or steam on this appliance. This oven is particularly intended for heating and cooking the food.
- It is not intended for industrial or laboratory use.
- Do not use your appliance to dry clothes or kitchen towels.
 - Appliance becomes very hot while it is in use. Pay attention not to touch the hot parts inside the oven.
 - Your oven is not designed to dry any living being.
 - Do not operate the oven empty.
 - Only use utensils that are suitable for use in microwave ovens.
 - Cooking utensil may get hot due to the heat transferred from the heated food to the utensil. You may need oven gloves to hold the utensil.
 - Utensils shall be checked to ensure that they are suitable for use in microwave ovens.
 - Do not place the oven on stoves or other heat generating appliances. Otherwise, it may be damaged and the warranty becomes void.
 - Microwave oven must not be placed in a cabinet that is not in compliance with the installation instructions.

1

Important safety and environmental instructions

- Steam may come out while opening the covers or the foil after cooking the food.
- Use gloves while taking any kind of heated food out.
- The appliance and its accessible surfaces may be very hot when the appliance is in use.
- Door and outer glass may be very hot when the appliance is in use.

1.1.1 Electrical safety

- If the supply cord is damaged, it must be replaced by the manufacturer or its service agent or a similarly qualified person in order to avoid a hazard.
 - Beko Microwave Ovens comply with the applicable safety standards; therefore, in case of any damage on the appliance or power cable, it should be repaired or replaced by the dealer, service center or a specialist and authorized service alike to avoid any danger. Faulty or unqualified repair work may be dangerous and cause risk to the user.
 - Make sure that your mains power supply complies with the information supplied on the rating plate of the appliance.
- The only way to disconnect the appliance from the power supply is to remove the power plug from the power outlet.
- Use the appliance with a grounded outlet only.
 - Never use the appliance if the power cable or the appliance itself is damaged.
 - Do not use this appliance with an extension cord.
 - Never touch the appliance or its plug with damp or wet hands.
 - Place the appliance in a way so that the plug is always accessible.
 - Prevent damage to the power cable by not squeezing, bending, or rubbing it on sharp edges. Keep the power cable away from hot surfaces and naked flame.
 - Make sure that there is no danger that the power cable could be accidentally pulled or that someone could trip over it when the appliance is in use.
 - Unplug the appliance before each cleaning and when the appliance is not in use.
 - Do not pull the power cable of the appliance to disconnect it from its power supply and never wrap its power cable around the appliance.

1

Important safety and environmental instructions

- Do not immerse the appliance, power cable, or power plug in water or any other liquids. Do not hold it under running water.
- When heating food in plastic or paper containers, keep an eye on the oven due to the possibility of ignition.
- Remove the wire strings and/or metal handles of paper or plastic bags before placing bags suitable for use in microwave oven to the oven.
- If smoke is observed, switch off or unplug the appliance and keep the door closed in order to stifle any flames.
- Do not use inside of the oven to store something. Do not leave paper items, cooking material or food inside the oven when it is not being used.
- The contents of feeding bottles and baby food jars shall be stirred or shaken and the temperature shall be checked before consumption, in order to avoid burns.
- This appliance is a Group 2 Class B ISM equipment. Group 2 contains all ISM (Industrial, Scientific and Medical) equipment in which radio-frequency energy is intentionally generated and/or used in the form of electromagnetic radiation for the treatment of material, and spark erosion equipment.
- Class B equipment is suitable for use in domestic establishments and establishments directly connected to a low voltage power supply network.
- Door or outer surface of the appliance may become hot when it is in use.

1.1.2 Product safety

- Heating the beverages with microwave may cause them to boil by splashing around after they have been taken out of the oven; so be careful when you are holding the containers.
- Do not roast anything in the oven. Hot oil may damage the components and materials of the oven, and it may even cause skin burns.
- Pierce food with thick crust such as potatoes, zucchinis, apples and chestnuts.

Important safety and environmental instructions

- Appliance must be placed so that the rear side is facing the wall.
- Before moving the appliance, please secure the turntable to prevent damage to it.
- Eggs in their shell and whole hard-boiled eggs must not be heated in microwave ovens since they may explode, even after microwave heating has ended.
- Never remove the parts at the rear and sides of the appliance, which protect the minimum distances between the cabinet walls and the appliance in order to allow for the required air circulation.

1.2 Intended use

- The oven should be cleaned regularly and any food deposits removed.
- Failure to maintain the oven in a clean condition could lead to deterioration of the surface that could adversely affect the life of the appliance and possibly result in a hazardous situation.
- Cleaning the door seals and adjacent parts: Use hot soapy water. Clean with a dish cloth, do not scour. Do not use a metal or glass scraper for cleaning.
- **WARNING:** If the door or door seals are damaged, the oven must not be operated until it has been repaired by a competent person.
- **WARNING:** It is hazardous for anyone other than a competent person to carry out any service or repair operation which involves the removal of a cover which gives protection against exposure to microwave energy.
- **WARNING:** Liquids and other foods must not be heated in sealed containers since they are liable to explode.
- Microwave oven is intended for built-in use only.
- Do not use the appliance for anything other than its intended use.
- Do not use the appliance as a heat source.
- Microwave oven is intended to thaw, cook and stew food only.
- Do not over-cook foods; otherwise, you may cause a fire.
- Do not use steam assisted cleaners to clean the appliance.

1.3 Children's safety

- Extreme caution is advised when being used near children and persons who are restricted in their physical, sensory or mental abilities.
- This appliance can be used by the children who are at the age of 8 or over and by the people who have limited physical, sensory or mental capacity or who do not have knowledge and experience, as long as they are supervised with regard to safe use of the product or they are instructed accordingly or understand the risks of using the product. Children should not play with the appliance. Cleaning and user maintenance procedures should not be performed by children unless they are controlled by their elders.
- Danger of choking! Keep all the packaging materials away from children.
- Only allow children to use the oven without supervision when adequate instructions have been given so that the child is able to use the microwave oven in a safe way and understands the hazards of improper use.
- Due to excessive heat that arises in grill and combination modes, children should only be allowed to use these modes under supervision of an adult.
- Keep the product and its power cable so that they are inaccessible by children under 8 years old.
- The appliance and its accessible surfaces may be very hot when the appliance is in use. Keep children away.
- The appliance is not intended for use by persons (including children) with reduced physical, sensory or mental capabilities, or lack of experience and knowledge, unless they have been given supervised or instruction concerning use of the appliance by a responsible person for their safety.
- Young children should be supervised to ensure that they do not play with the appliance.
- **WARNING:** Only allow children to use the oven without supervision when adequate instructions have been given so that the child is able to use the oven in a safe way and understands the hazards of improper use.

1

Important safety and environmental instructions

1.4 Compliance with the WEEE Directive and disposal of waste products



This product does not include harmful and prohibited materials specified in the "Regulation for Supervision of the

Waste Electric and Electronic Appliances" issued by the Ministry of

Environment and Urban Planning. Complies with the WEEE Directive. This product has been manufactured with high quality parts and materials which can be reused and are suitable for recycling.

Therefore, do not dispose the product with normal domestic waste at the end of its service life. Take it to a collection point for the recycling of electrical and electronic equipment. Ask the local authority in your area for these collection points. Help protect the environment and natural resources by recycling used products.

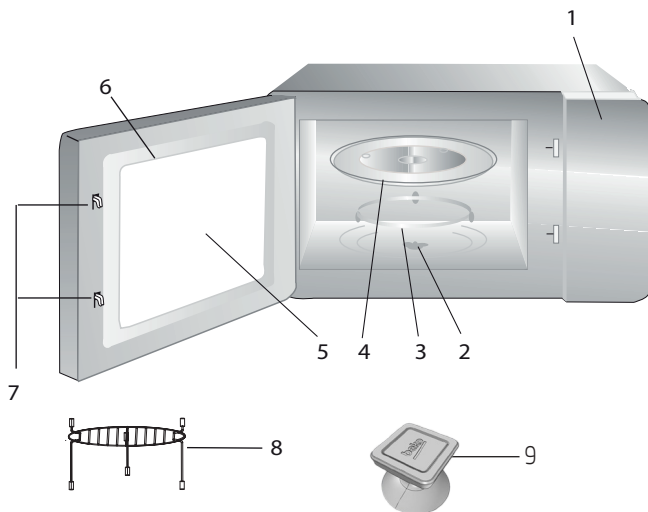
1.5 Package information



Package of the product is made of recyclable materials in accordance with our National Legislation. Do not dispose of the packaging materials together with the domestic or other wastes. Take them to the packaging material collection points designated by the local authorities.

2 Your microwave oven

2.1 Overview



1. Control panel
2. Turntable shaft
3. Turntable support
4. Glass tray
5. Oven window
6. Door group
7. Door safety interlock system
8. Grill rack (only to be used in grill function and placed on the glass tray)
9. Vacuum lifter for manual door opening

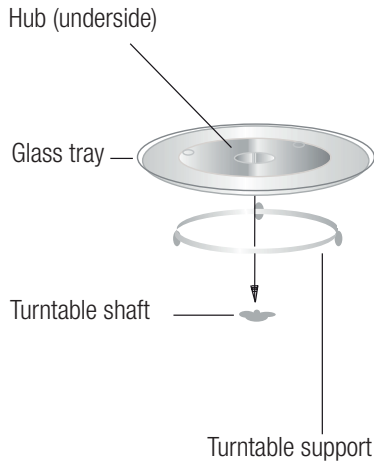
2.2 Technical data

Power consumption	230 V~50 Hz, 1450 W (Microwave) 2500 W (Convection) 1100 W (Grill)
Output	900 W
Operating frequency	2450 MHz
Ampere value	11.5 A
External dimensions	595 x 470 x 388 mm
Internal dimensions of the oven	226 x 328 x 346 mm
Oven Capacity	25 Liters
Net weight	21.0 kg

Markings on the product or the values stated in other documents supplied with the product are values obtained under laboratory conditions as per relevant standards. These values may vary according to the usage of the appliance and ambient conditions. Power values are tested at 230V.

2 Your microwave oven

2.3 Installing the turntable



- Never place the glass tray upside down. The glass tray should never be restricted.
- Both glass tray and turntable support must always be used during cooking.
- All food and containers of food must always place on the glass tray for cooking.
- If glass tray or turntable support crack or break, contact your nearest authorized service center.

3 Installation and connection

3.1 Installation and connection

- Remove all packing material and accessories. Examine the oven for any damage such as dents or broken door. Do not install if oven is damaged.
- Remove any protective film found on the microwave oven cabinet surface.
- Do not remove the light brown Mica cover that is attached to the oven cavity to protect the magnetron.
- This appliance has been designed for domestic use only.
- This oven is intended for built-in use only. It is not intended for counter-top use or for use inside a cabinet.
- Please observe the special installation instructions.
- The appliance can be installed in a 60cm wide wall-mounted cabinet (at least 55 cm deep and 85 cm off the floor).
- The appliance is fitted with a plug and must only be connected to a properly installed grounded socket.
- The mains voltage must correspond to the voltage specified on the rating plate.
- If the plug is no longer accessible after installation, an all-pole isolating switch must be present on the installation side with a contact gap of at least 3 mm.
- Adapters, multi-way sockets and extension cords must not be used. Overloading can result with a risk of fire.



The accessible surface may be hot during operation.

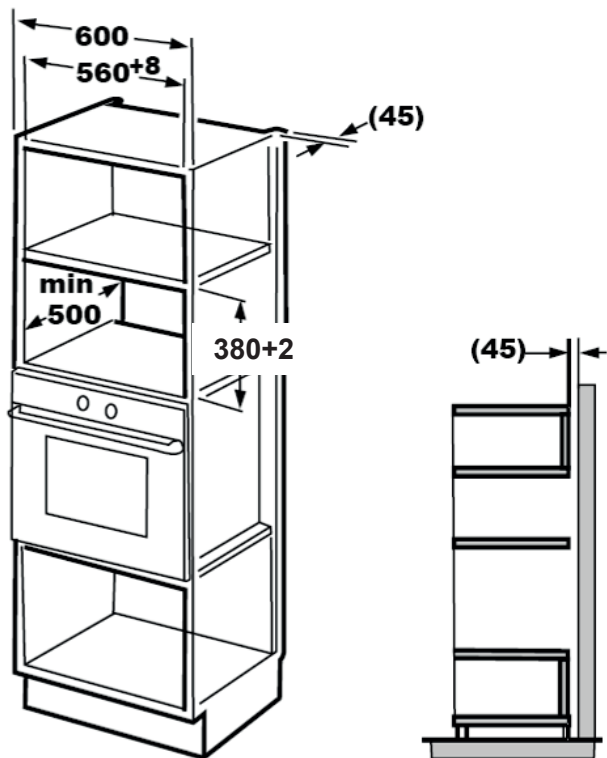


Do not trap or bend the power cable.

3 Installation and connection

3.2 Built-in installation

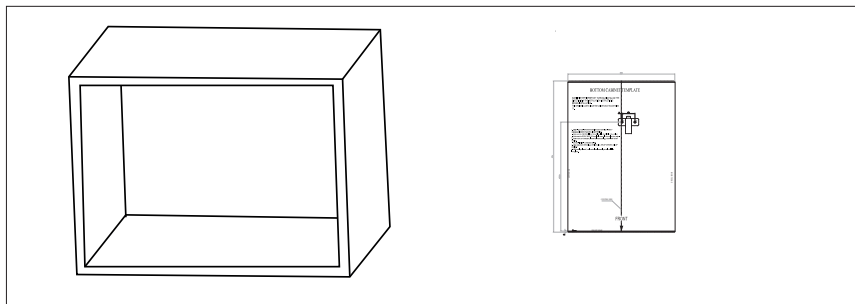
3.2.1 Furniture dimensions for built-in installation



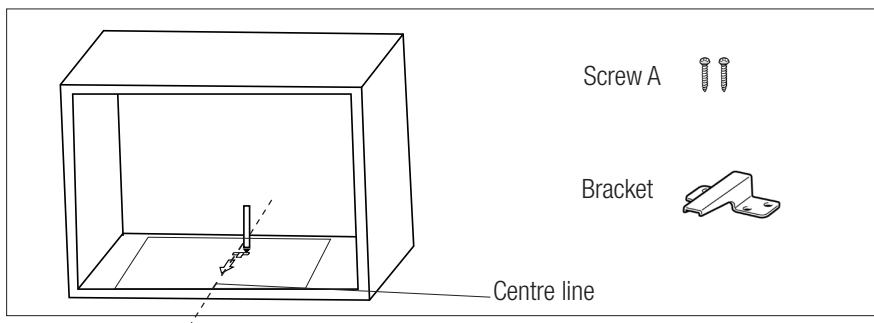
3 Installation and connection

3.2.2 Preparing the cabinet

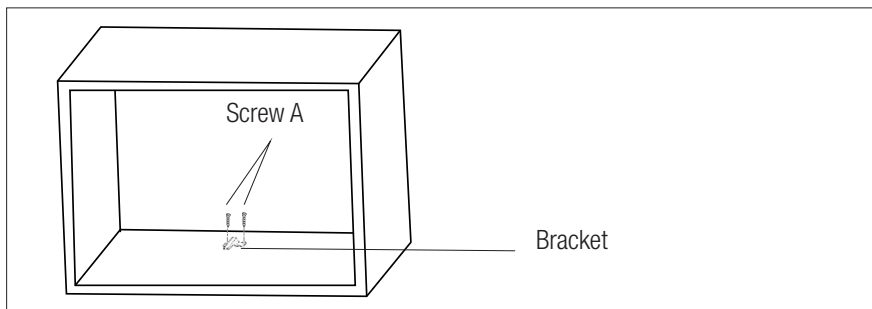
1. Read the instruction on the bottom cabinet template and put the template on the bottom plane of cabinet.



2. Make the marks on the bottom plane of cabinet according to marks "a" of the template.



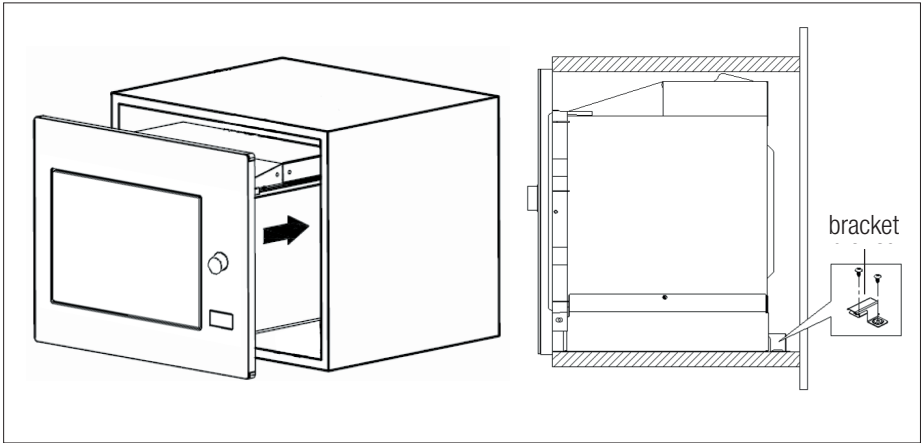
3. Remove the bottom cabinet template and fix the bracket with screw A.



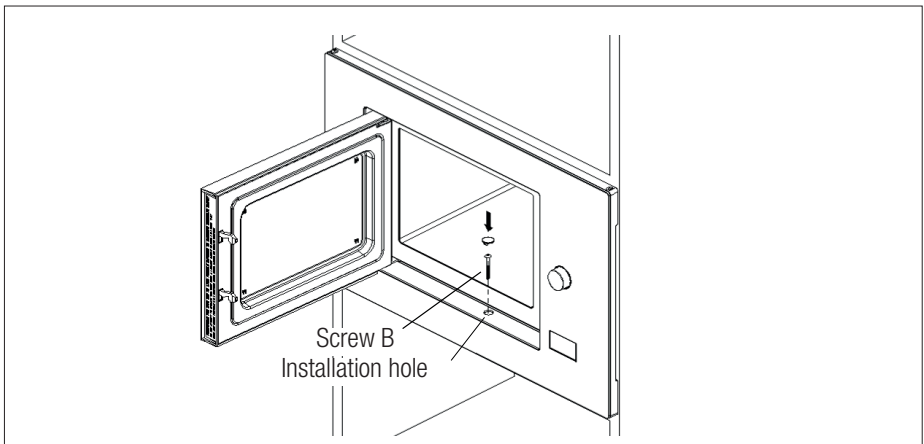
3 Installation and connection

3.2.3 Fixing the oven

1. Install the oven into the cabinet.
 - Make sure the back of the oven is locked by bracket.
 - Do not trap or bend the power cable.



2. Open the door, fix the oven to the cabinet with Screw B through the installation hole. Then fix the trim-kit plastic cover to the installation hole.



3 Installation and connection

3.3 Radio interference



Operation of the microwave oven may cause interference on radios, TVs and similar appliances.

- Place the oven as far away from radios and TVs as possible. Operation of microwave oven may cause interference to your radio or TV reception.
- 2. Plug your oven into a standard household outlet. Be sure the voltage and the frequency is the same as the voltage and the frequency on the rating plate.
- In case of interference, it may be reduced or eliminated by taking the precautions given below:
- Clean the door and sealing surface of the oven.
- Set the antenna direction of the radio or TV again.
- Reposition the oven based on the location of the receiver.
- Place microwave oven away from the receiver.
- Plug the microwave oven to another outlet, thus microwave oven and receiver shall be on different lines.

3.4 Microwave cooking principles

- Prepare the food carefully. Place the remaining parts to the outside of the dish.
- Pay attention to the cooking time. Cook in the shortest time specified and add some more time if required. Overcooked food may cause smoke or may be burnt.
- Cover the food while cooking. Covering the food prevents any splashing and helps to ensure that food is cooked evenly.
- Turn over food such as poultry and hamburgers while cooking them in a microwave oven in order to accelerate cooking of this kind of food. Larger food such as roast must be turned over at least once.

- Turn food such as meatballs upside down in the middle of the cooking and replace them with each other from the center of the dish to the outside.

3.5 Grounding instructions

This appliance must be grounded. This oven has a grounding cable with a grounded plug. Appliance must be plugged to a wall outlet installed and grounded correctly. Grounding system allows a leak wire for the electrical current in case of a short circuit and reduces the risk of electric shock. We recommend using an electrical circuit dedicated to the oven. Operating with high voltage is dangerous and may cause fire or other accidents that would cause damage to the oven.



WARNING: Misuse of grounding plug may cause electric shock.



If you have any questions on grounding and electrical instructions, please consult a qualified electric technician or service personnel.



Manufacturer and/or dealer would not accept any responsibility for injuries or damages on the oven that may occur when electrical connection procedures are not followed.

3.6 Utensil test

Never operate the microwave oven empty. The only exception is the utensil test described in the following section. Some certain non-metal utensils may not be suitable for using in microwave. If you are not sure whether your utensil is suitable for microwave, you can perform the following test.

1. Place the empty utensil to be tested into the microwave oven together with a microwave-compatible glass filled with 250 ml water.

3 Installation and connection

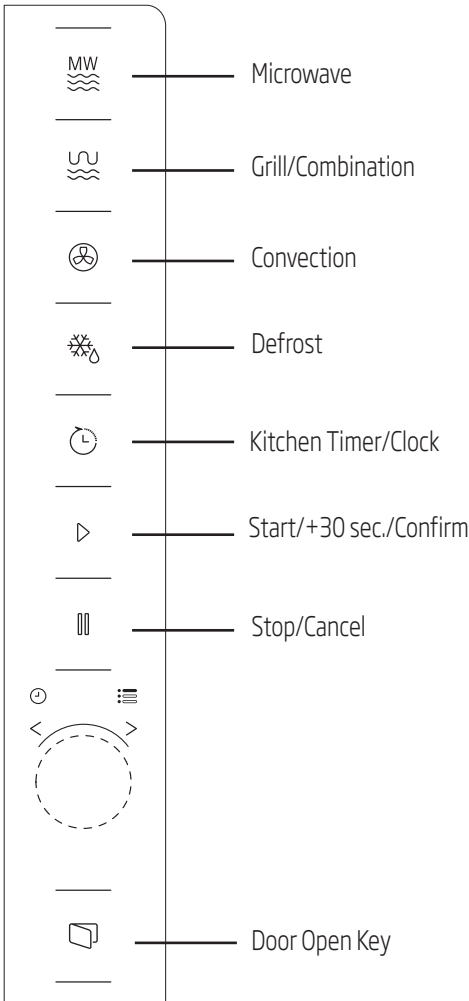
2. Operate the microwave oven at max power for 1 minute.
3. Check carefully the temperature of the utensil being tested. If it is warmed up, it is not suitable for use in microwave.
4. Never exceed the operating time limit of 1 minute. If you notice arcing during 1 minute of operation, stop the microwave. Utensils causing arcing are not suitable for use in microwave.

Following list is a general guide that would help you in selecting the right utensil.

Cooking utensil	Microwave	Grill	Combination
Heat-resistant glass	Yes	Yes	Yes
Non-heat-resistant glass	No	No	No
Heat-resistant ceramics	Yes	Yes	Yes
Plastic dish suitable for microwave oven	Yes	No	No
Paper kitchenware	Yes	No	No
Metal tray	No	Yes	No
Metal rack	No	Yes	No
Aluminum foil and foil covers	No	Yes	No
Foam materials	No	No	No

4 Operation

4.1 Control panel



4.2 Operating instructions

4.2.1 Setting the time

When the microwave oven is energized, "0:00" will be displayed in LED screen and buzzer will ring once.

1. Press (Kitchen Timer/Clock) twice and the figures for hours will start flashing.
2. Turn to adjust the hour; the input value should be between 0 and 23.
3. Press (Kitchen Timer/Clock) and the figures for minutes will start flashing.
4. Turn to adjust the minutes; the input value should be between 0 and 59.
5. Press (Kitchen Timer/Clock) to finish time setting. ":" symbol will flash, and the time will light.



If you press (Stop/Cancel) during time setting, oven will automatically return back to previous mode.

4.2.2 Cooking with microwave oven

1. Press (Microwave) and "PL10" will be displayed in LED screen.
2. Press (Microwave) again to select the desired power. Each time you press the key, "PL10", "PL8", "PL5", "PL3" or "PL1" will be displayed respectively.
3. Turn to set the cooking time to a value between 0:05 and 95:00.
4. Press (Start/+30 Sec./Confirm) again to start cooking.

4 Operation



Example: If you want to use 80% microwave power to cook for 20 minutes, you can operate the oven with the following steps.

5. Press (Microwave) once and "PL10" will be displayed in the screen.

6. Press (Microwave) once again to set 80% microwave power.

7. Turn to adjust the cooking time until the oven displays "20:00".

8. Press (Start/+30 Sec./Confirm) to start cooking.

The steps for adjusting the time in coding button are as below:

Setting the duration	Increment amount
0-1 minute	5 seconds
1-5 minutes	10 seconds
5-10 minutes	30 seconds
10-30 minutes	1 minute
30-95 minutes	5 minutes

4.2.3 Microwave keypad instructions

Order	Screen	Microwave Power
1	PL10	100%
2	PL8	80%
3	PL5	50%
4	PL3	30%
5	PL1	10%

4.3 Cooking with grill or combination mode

1. Press (Grill/Combination) and "G" will be displayed in LED screen. Press (Grill/Combination) repeatedly to select the desired power. Each time you press the key, "C-1"; "C-2"; "C-3" and "C-4" will be displayed respectively.

2. Turn to set the cooking time to a value between 0:05 and 95:00.

3. Press (Start/+30 Sec./Confirm) again to start cooking.



Example: If you want to use Combi (MWO+Grill) (C-2) to cook for 10 minutes, you can operate the oven with the following steps.

1. Press (Grill/Combination) once and "G" will be displayed in the screen.

2. Press (Grill/Combination) twice again select the Combination 2 mode.

3. Turn to adjust the cooking time until the oven displays "10:00".

4. Press (Start/+30 Sec./Confirm) to start cooking.

4 Operation

4.3.1 (Grill/Combination) Keypad instructions

Instructions	Display	Microwave	Grill	Convection
1	C-1	●		●
2	C-2	●	●	
3	C-3		●	●
4	C-4	●	●	●



When half the grill time passes, the oven sounds twice, and this is normal. In order to have a better grilling effect, you should turn the food over, close the door, and then press (Start/+30Sec./Confirm) to continue cooking. If no operation is performed, the oven will continue cooking.

4.4 Convection

4.4.1 Convection Cooking(With preheating function)

The convection cooking can let you to cook the food as a traditional oven. Microwave is not used. It is recommended that you should preheat the oven to the appropriate temperature before placing the food in the oven.

1. Press the "⊗" (Convection)" key once, and "130 °C" displays.
2. Press "⊗" (Convection) " repeatedly to select the convection function. When convection temperature displays, it indicates convection function. The temperature can be chosen from 130 degrees to 220 degrees.

3. Press the ▷ (Start/+30 Sec./Confirm) to start preheating. When the preheating temperature arrives, the buzzer rings to remind you to put the food into the oven. And the preheated temperature is displayed and flash.
4. Put the food into the oven and close the door. Turn 🔄 to adjust the cooking time. (The maximum setting time is 95 minutes.)
5. Press the "▷ (Start/+30 Sec./Confirm)" key to start cooking.



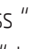
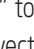


Cooking time cannot be adjusted until the preheating temperature arrives. If the temperature arrives, door must be opened to adjust the cooking time.

If the time not adjusted in 5 minutes, the oven will stop preheating. The buzzer sound five times and turn back to waiting states.





4.4.2 Convection Cooking(Without pre-heating function)

1. Press the "⊗" (Convection)" key once, and "130 °C" displays.


4 Operation

2. Press "  (Convection) " repeatedly or turn "  " to select the convection function. When convection temperature displays, it indicates convection function. The temperature can be chosen from 130 degrees to 220 degrees.
3. Turn  to adjust the cooking time. (The maximum setting time is 95 minutes.)
4. Press the  (Start/+30 Sec./Confirm) key to start cooking.

4.5 Quick start



1. In standby mode, press  (Start/+30Sec./Confirm) to start cooking with 100% microwave power. Each time you press the key, cooking time will increase until 95 minutes with steps of 30 seconds.
2. In microwave oven cooking, grill and combination cooking or defrost by time modes, the cooking time will increase by 30 seconds each time you press  (Start/+30 Sec/Confirm).
3. In standby mode, turn  counterclockwise to set the cooking time in order to start cooking with 100% microwave power and press  (Start/+30Sec./Confirm) to start cooking.




In auto menu and defrost by weight modes, pressing  (Start/+30Sec/Confirm) will not increase the cooking time.




4.6 Defrost

4.6.1 Defrost by weight

1. (Defrost by weight) for press  once.
2. Turn  to select the weight of food from 100 to 2000 g.




3. Press  (Start/+30 Sec./Confirm) to start defrost.

4.6.2 Defrost by time

1. Press  (Defrost by time) for twice.
2. Turn  to select the defrost time. The maximum time is 95 minutes.
3. Press  (Start/+30 Sec./Confirm) to start defrost. Defrost power is P30 and cannot be changed.

4.7 Kitchen timer (counter)

Your oven is equipped with an automatic counter which is not linked with the oven functions and can be used separately at the kitchen (it can be set to max. 95 minutes.)





1. Press  (Kitchen Timer/Clock) for once and 00:00 will be displayed in LED screen.
2. Turn  to enter the correct time.
3. Press  (Start/+30Sec./Confirm) to confirm the setting.
4. When the countdown from the entered time reaches to 00:00, the buzzer will ring for 5 times. If the time is set (24-hour system), current time will be displayed in LED screen.

Press  (Stop/Cancel) to abort the timer at any-time.



Kitchen timer functions different than 24-hours system. Kitchen timer is just a timer.

4.8 Auto menu

1. Turn  clockwise to select the desired menu.
Menus between "AC01" and "AC10".
2. Press  (Start/+30Sec./Confirm) to confirm.
3. Turn  to choose the default weight in accordance with the menu chart.
4. Press  (Start/+30 Sec./Confirm) to start cooking.

4 Operation

4.8.1 Auto cooking menu

Menu	Weight	Display	Power
AC01 Pizza	200 g	200 g	C-4 / Grill
	300 g	300 g	
	400 g	400 g	
AC02 Meat	150 g	150 g	100%
	300 g	300 g	
	450 g	450	
	600 g	600 g	
AC03 Vegetable	150 g	150 g	100%
	350 g	350 g	
	500 g	500 g	
AC04 Pasta	50 g (with 450 g cold water)	50 g	80%
	100 g (with 800 g cold water)	100 g	
	150g (with 1200 g cold water)	150 g	
AC05 Cake	475 g	475 g	Preheat to 160 °C
AC06 Potato	1 (about 230 g)	1	100%
	2 (about 460 g)	2	
	2 (about 690 g)	3	
AC07 Fish	150 g	150 g	80%
	250 g	250 g	
	350 g	350 g	
	450 g	450 g	
	650 g	650 g	
AC08 Beverage	1 cup (about 240 g)	1	100%
	2 cup (about 480 g)	2	
	3 cup (about 720 g)	3	
AC09 Popcorn	50 g	50	100% microware
	100 g	100	
AC10 CHICKEN	500g	500g	C-4/ Preheat to 200°C
	750g	750g	
	1000g	1000g	
	1200g	1200g	

4 Operation

4.9 Multi-step cooking

At most 2 steps can be set for cooking. In multi-step cooking, if one step is defrosting, then defrosting must be placed in the first step.



If you want to thaw food for 5 minutes and then cook with 80% microwave power for 7 minutes, perform the following steps:

1. Press (Defrost by time) for twice.
2. Turn to select the defrost time until "5:00" is displayed in the screen.
3. Press (Microwave) once and "PL10" will be displayed in the screen.
4. Press (Microwave) once again or turn to set 80% microwave power.
5. Turn to adjust the cooking time until the oven displays "7:00".
6. Press (Start/+30Sec./Confirm) to start cooking. Buzzer will sound once for the first step and defrost time countdown will start. Buzzer will sound once again when entering the second cooking step. Buzzer will sound for 5 times at the end of cooking.

4.10 Query function

1. In microwave, grill and combination modes, press (Microwave) or (Grill/Combination) and the current power level will be displayed for 3 seconds. After 3 seconds, the oven will return to the previous mode.
2. While cooking, press (Kitchen Timer/Clock) and the current time will be displayed for 3 seconds.

4.11 Child lock

1. **Locking:** In standby mode, press (Stop/Cancel) for 3 seconds and a buzzer will sound indicating that the child lock is activated. If the time is already set, current time will also be displayed; otherwise 0:00 will be displayed in the LED screen.
2. **Unlocking:** To disable the child lock, press (Stop/Cancel) for 3 seconds and a long "beep" will sound indicating that the child lock is disabled.

4.12 Opening the oven door

Press (Open door) and the oven door will be opened.

5 Cleaning and maintenance

5.1 Cleaning



WARNING: Never use gaso-line, solvent, abrasive cleaning agents, metal objects or hard brushes to clean the appliance.



WARNING: Never immerse the appliance or its power cable in water or in any other liquid.

1. Turn the appliance off and disconnect it from wall socket.
2. Wait for the appliance to completely cool down.
3. Keep the inside of the oven clean. Wipe with a damp cloth when splashed food or spilled liquids stick on the walls of the oven. A mild detergent may be used if the oven gets very dirty. Avoid using sprays and other harsh cleaning agents as they may cause stains, marks, and opaqueness on the door surface.
4. Outer surfaces of the oven must be cleaned with a damp cloth. Do not allow water ingress from ventilation openings to prevent damage to the operating parts in the oven.
5. Wipe both sides of the door and the glass, door gaskets and parts near the gaskets frequently with a damp cloth in order to remove the overflowing and splashing stains. Do not use abrasive cleaning agents.
6. Do not allow control panel to get wet. Clean with a soft damp cloth. Leave the door of the oven open to prevent inadvertent operation while cleaning the control panel.
7. If steam accumulates inside or around the oven door, wipe with a soft cloth. This may occur when the microwave oven is operated under high humidity conditions. It is normal.
8. In some cases, you may need to remove the glass tray for cleaning. Wash the tray in warm soapy water or in a dishwasher.
9. The roller ring and oven floor should be cleaned regularly to avoid excessive noise. It would be sufficient to wipe the lower surface of the oven with a mild detergent. Roller ring may be washed in warm soapy water or in a dishwasher. When you remove the roller ring from oven internal floor for cleaning, ensure that you install it in the correct position while replacing it.
10. In order to remove bad odors in your oven, put a glass of water and juice and peel of a lemon to a deep bowl suitable for use in microwave and operate the oven for 5 minutes in microwave mode. Wipe thoroughly and dry with a soft cloth.
11. Please contact the authorized service when the oven lamp needs to be replaced.
12. The oven should be cleaned regularly and any food deposits should be removed. If the oven is not kept clean, this may cause surface defects that would affect the lifecycle of the appliance negatively and that would possibly cause risks.
13. Please do not dispose this appliance with household waste; old ovens shall be disposed to special waste centers provided by the municipalities.
14. When the microwave oven is used in grill function, a small amount of smoke and odor may occur which will disappear after a certain time of usage.

5.2 Storage

- If you do not intend to use the appliance for a long time, please store it carefully.
- Please make sure that the appliance is unplugged, cooled down and totally dry.
- Store the appliance in a cool and dry place.
- Keep the appliance out of the reach of children.

6 Troubleshooting

Normal	
Microwave oven interferes with TV reception	Radio and TV reception may be interfered when microwave oven is operating. It is similar to the interference caused by small electrical appliances, like mixer, vacuum cleaner, and electric fan. It is normal.
Oven light is dimmed	In low power microwave cooking, oven light may be dimmed. It is normal.
Steam accumulating on door, hot air coming out of vents	During cooking, steam may arise from the food. Most of this steam will get out from vents. But some may accumulate on a cool place like oven door. It is normal.
Oven started accidentally with no food in it.	It is not allowed to run the appliance without any food inside. It is very dangerous.

Problem	Possible Reason	Solution
Oven cannot be started.	(1) Power cable is not plugged in properly.	Unplug. Then plug again after 10 seconds.
	(2) Fuse is blown or circuit breaker is activated.	Replace fuse or reset circuit breaker (repaired by professional personnel of our company).
	(3) Trouble with outlet.	Test the outlet with other electrical appliances.
Oven does not heat.	(4) Door is not closed properly.	Close the door properly.
Glass turntable makes noise when microwave oven operates	(5) Turntable and bottom of the oven is dirty.	Refer to "Cleaning and Maintenance" section to clean dirty parts.
Oven displays E-3 error and does not function	(6) Oven door does not open (due to an obstruction in front of the door, low voltage and etc.)	Unplug. Then plug again after 10 seconds.

Bitte zunächst diese Anleitung lesen!


Werter Kunde,

Danke, dass Sie sich für ein Produkt der Marke Beko entschieden haben. Wir hoffen, dass Sie mit diesem Produkt, das mit den höchsten Qualitätsanforderungen und der modernsten Technologie hergestellt wurde, beste Ergebnisse erzielen. Bitte lesen Sie die gesamte Bedienungsanleitung und alle anderen Begleitdokumente aufmerksam, bevor Sie das Produkt verwenden; bewahren Sie sie zum künftigen Nachschlagen sicher auf. Wenn Sie das Produkt an einen Dritten weitergeben, händigen Sie bitte auch diese Anleitung aus. Befolgen Sie alle Warnhinweise und Informationen in dieser Anleitung.

Bedeutung der Symbole

Folgende Symbole werden in den verschiedenen Abschnitten dieser Bedienungsanleitung verwendet:

	Wichtige Informationen und nützliche Tipps in Bezug auf die Verwendung.
--	---

	Warnhinweise zu gefährlichen Situationen im Hinblick auf die Sicherheit von Leib, Leben und Eigentum.
--	---

	Warnung vor heißen Flächen.
--	-----------------------------



Dieses Produkt wurde in umweltfreundlichen, modernen Einrichtungen ohne schädliche Auswirkungen auf die Natur hergestellt.

INHALT

1 Wichtige Hinweise zu Sicherheit und Umwelt 30

1.1 Allgemeine Sicherheit	30
1.1.1 Elektrische Sicherheit	32
1.1.2 Produktsicherheit	33
1.2 Zweckmäßiger Gebrauch	34
1.3 Sicherheit von Kindern	34
1.4 Konformität mit der WEEE-Richtlinie und Entsorgung von Altprodukten	35
1.5 Informationen zur Verpackung	35

2 Ihr Mikrowellenherd 36

2.1 Übersicht	36
2.1.1 Bedienelemente und Teile	36
2.1.2 Technische Daten	36
2.1.3 Drehteller installieren	37

3 Installation und Anschluss 38

3.1 Installation und Anschluss	38
3.2 Integrierte Installation	39
3.2.1 Möbelabmessungen für die integrierte Installation	39
3.2.2 Schrank vorbereiten	40
3.2.3 Mikrowellenherd befestigen	41
3.3 Funkstörungen	42
3.4 Grundsätzliches zur Mikrowellenzubereitung	42
3.5 Erdung	42
3.6 Utensilientest	43

4 Bedienung 44

4.1 Bedienfeld	44
4.2 Bedienungsanweisungen	44
4.2.1 Zeit einstellen	44
4.2.2 Mit dem Mikrowellenherd garen	44
4.2.3 Anweisungen zum Tastenfeld (Mikrowelle)	45
4.3 Mit Grill- oder Kombimodus garen	45
4.3.1 Anweisungen zum Tastenfeld (Grill/Kombination)	46
4.4 Umluft	46
4.4.1 Umluftgaren (mit Vorheizen)	46

4.4.2 Umluftgaren (ohne Vorheizen)	47
4.5 Schnellstart	47
4.6 Auftauen nach Gewicht	47
4.7 Auftauen nach Zeit	47
4.8 Küchentimer (Countdown)	47
4.9 Automatische Zubereitung	48
4.9.1 Gericht automatisch garen	49
4.10 Mehrstufiges Garen	50
4.11 Abfragefunktion	50
4.12 Kindersicherung	50
4.13 Gerätetür öffnen	51

5 Reinigung und Wartung 52

5.1 Reinigung	52
5.2 Lagerung	53

6 Fehlerbehebung 54

Dieser Abschnitt enthält Sicherheitsanweisungen, die beim Schutz vor Personen- und Sachschäden, Bränden, Stromschlägen und dem Austreten von Mikrowellenenergie helfen. Bei Nichtbeachtung dieser Anweisungen erlöschen die gewährten Garantien.

1.1 Allgemeine Sicherheit

- Versuchen Sie nicht, das Gerät zu starten, wenn dessen Tür offen ist; andernfalls könnten Sie sich gefährlicher Mikrowellenenergie aussetzen. Sicherheitssperren dürfen nicht deaktiviert oder manipuliert werden.
- Stecken Sie nichts zwischen Vorderseite und Gerätetür. Achten Sie darauf, dass sich weder Schmutz noch Reste von Reinigungsmitteln am Gehäuse ansammeln.
- Jegliche Wartungsarbeiten in Verbindung mit dem Entfernen von Abdeckungen, die vor der Aussetzung von Mikrowellenenergie schützen, müssen von autorisiertem Servicepersonal durchgeführt werden. Jede andere Herangehensweise ist gefährlich.
- Ihr Produkt dient dem Garen, Erhitzen und Auftauen von Lebensmitteln zuhause. Es darf nicht gewerblich eingesetzt werden. Der Hersteller haftet nicht für Schäden, die durch Missbrauch entstehen.
- Gerät nicht im Freien, in Badezimmern, feuchten Umgebungen oder an anderen Orten verwenden, an denen es feucht werden kann.
- Bei Schäden durch Missbrauch oder falschen Gebrauch des Gerätes erlöschen jegliche Haftungs- und Garantieansprüche.
- Niemals versuchen, das Gerät auseinanderzubauen. Für Schäden durch unsachgemäße Handhabung wird keine Haftung übernommen.
- Nur Originalteile und vom Hersteller empfohlene Teile verwenden.
- Dieses Gerät beim Einsatz nicht unbeaufsichtigt lassen.
- Gerät immer auf einer stabilen, ebenen, sauberen, trockenen und rutschfesten Unterlage benutzen.
- Das Gerät sollte nicht mit Zeitschaltuhren oder separaten Fernsteuerungssystemen betrieben werden.

- Vor der ersten Inbetriebnahme des Gerätes alle Komponenten reinigen. Siehe dazu Abschnitt „Reinigung und Pflege“.
- Gerät nur für seinen in dieser Anleitung beschriebenen vorgesehenen Zweck verwenden. Keine aggressiven Chemikalien und keine Dampfreiniger verwenden. Dieses Gerät dient speziell dem Erhitzen und Garen von Lebensmitteln. Es ist nicht für den gewerblichen oder Laboreinsatz vorgesehen.
- Gerät nicht zum Trocknen von Kleidung oder Geschirrtüchern verwenden.
- Das Gerät wird im Betrieb sehr heiß. Achten Sie darauf, keine heißen Teile im Inneren des Gerätes zu berühren.
- Ihr Gerät ist nicht für das Trocknen von Lebewesen vorgesehen.
- Verwenden Sie das Gerät nicht im Leerzustand.
- Küchenutensilien können aufgrund der von den erhitzten Lebensmitteln übertragenen Hitze heiß werden. Möglicherweise benötigen Sie Küchenhandschuhe zum Halten von Utensilien.
- Sie sollten prüfen, ob Utensilien mikrowelleneeignet sind.
- Stellen Sie den Mikrowellenherd nicht auf Öfen oder andere wärmeerzeugende Geräte. Andernfalls können sie beschädigt werden; zudem erlischt die Garantie.
- Der Mikrowellenherd darf nicht in einen Schrank gestellt werden, der nicht den Installationsanweisungen entspricht.
- Nach dem Garen von Lebensmitteln kann beim Entfernen von Abdeckungen und Folien Dampf entweichen.
- Tragen Sie beim Herausnehmen von erhitzten Lebensmitteln Küchenhandschuhe.
- Das Gerät und seine zugänglichen Flächen können im Betrieb sehr heiß werden.
- Tür und Außenseite der Glasfläche können im Betrieb sehr heiß werden.

1.1.1 Elektrische Sicherheit

- Der Beko-Mikrowellenherd stimmt mit geltenden Sicherheitsstandards überein; daher sollten Gerät oder Netzkabel zur Vermeidung von Gefahren im Falle von Schäden durch den Händler, ein Kundencenter oder einen spezialisierten, autorisierten Serviceanbieter repariert oder ersetzt werden. Fehlerhafte oder unqualifizierte Reparaturen können Gefahren und Risiken für den Benutzer verursachen.

- Sicherstellen, dass Ihre Stromversorgung mit den Angaben am Typenschild des Gerätes übereinstimmt.

Die einzige Möglichkeit, das Gerät von der Stromversorgung zu trennen, besteht darin, das Netzkabel aus der Steckdose zu ziehen.

- Verwenden Sie das Gerät nur mit einer geerdeten Steckdose.
- Gerät niemals benutzen, wenn das Netzkabel oder das Gerät selbst beschädigt ist.
- Gerät nicht mit einem Verlängerungskabel verwenden.

- Gerät oder Netzstecker nie mit feuchten oder nassen Händen berühren.
- Gerät so aufstellen, dass der Netzstecker immer zugänglich ist.
- Schäden am Netzkabel vermeiden, nicht quetschen, knicken oder über scharfe Kanten ziehen. Netzkabel von heißen Oberflächen und offenen Flammen fernhalten.
- Anschlusskabel so verlegen, dass man daran nicht unbeabsichtigt ziehen kann und das Gerät nicht zur Stolperfalle wird.
- Gerät vor jeder Reinigung und bei Nichtbenutzung von der Stromversorgung trennen.
- Zum Trennen von der Stromversorgung niemals am Netzkabel des Gerätes ziehen; Netzkabel niemals um das Gerät wickeln.
- Gerät, Netzkabel sowie Netzstecker nicht in Wasser oder andere Flüssigkeiten tauchen. Gerät nicht unter fließendes Wasser halten.
- Gerät beim Erhitzen von Lebensmitteln in Kunststoff- oder Papierbehältern regelmäßig prüfen, da sich der Behälter entzünden könnte.

- Drähte und/oder Metallgriffe von mikrowellengeeigneten Papier- oder Kunststoffbehältern vor dem Erhitzen im Mikrowellenherd entfernen.
- Bei Rauchentwicklung Gerät abschalten, Netzstecker ziehen und Tür zur Vermeidung einer Entzündung geschlossen halten.
- Innenraum des Gerätes nicht zu Aufbewahrungszwecken verwenden. Papiergegenstände, Kochgeräte oder Lebensmittel bei Nichtbenutzung nicht im Mikrowellenherd lassen.
- Der Inhalt von Babyfläschchen und Gläschen muss verrührt bzw. geschüttelt werden; zur Vermeidung von Verbrennungen vor dem Füttern die Temperatur prüfen.
- Dieses Gerät ist ein ISM-Gerät der Gruppe 2, Klasse B. Gruppe 2 beinhaltet alle ISM- (industrielle, wissenschaftliche und medizinische) Geräte, in denen absichtlich Hochfrequenzenergie erzeugt und/oder für die Behandlung von Materialien und für Funkenrodiermaschinen in Form von elektromagnetischer Strahlung verwendet wird.
- Geräte der Klasse B eignen sich für den Einsatz in Wohnbereichen sowie Bereichen, die direkt mit einem Niederspannungs-Stromversorgungsnetz verbunden sind.
- Tür und Außenseite des Gerätes können im Betrieb heiß werden.

1.1.2 Produktsicherheit

- Flüssigkeiten und andere Lebensmittel dürfen aufgrund von Explosionsgefahr nicht in geschlossenen Behältern erhitzt werden.
- Wenn Getränke beim Erhitzen im Mikrowellenherd zum Kochen gebracht werden, können sie nach dem Herausnehmen aus dem Gerät überlaufen; seien Sie also beim Greifen des Behälters entsprechend vorsichtig.
- Braten Sie nichts im Mikrowellenherd. Heißes Öl kann Komponenten und Materialien des Gerätes beschädigen und sogar Hautverbrennungen verursachen.
- Durchstechen Sie Lebensmittel mit einer dicken Haut, wie z. B. Kartoffeln, Zucchini, Äpfel und Kastanien.
- Das Gerät muss so aufgestellt werden, dass die Rückseite zur Wand zeigt.

- Falls die Tür oder Türdichtungen beschädigt sind, darf der Mikrowellenherd erst nach Reparatur durch qualifiziertes Personal wieder in Betrieb genommen werden.
- Bitte sichern Sie den Drehteller zur Vermeidung von Beschädigungen, bevor Sie das Gerät bewegen.
- Verwenden Sie den Mikrowellenherd nicht zum Garen oder Erhitzen von Eiern; ganz gleich ob mit oder ohne Schale.
- Entfernen Sie niemals die Teile an der Rückseite oder den Seitenwänden des Gerätes; diese sorgen für den Mindestabstand zwischen den Schrankwänden und dem Gerät zur Gewährleistung der erforderlichen Luftzirkulation.
- Übergaren Sie Lebensmittel nicht; andernfalls können Sie Feuer fangen.
- Verwenden Sie keine Dampfreiniger zur Reinigung des Gerätes.

1.3 Sicherheit von Kindern

- Besondere Vorsicht gilt bei Verwendung in der Nähe von Kindern oder Personen, deren körperliche, sensorische oder geistige Fähigkeiten eingeschränkt sind.
 - Dieses Gerät kann von Kindern ab 8 Jahren sowie von Personen mit eingeschränkten körperlichen, sensorischen oder geistigen Fähigkeiten oder einem Mangel an Wissen und Erfahrung verwendet werden, sofern sie im Hinblick auf eine sichere Benutzung des Gerätes beaufsichtigt werden oder entsprechend angeleitet wurden und die damit verbundenen Gefahren verstehen. Kinder dürfen nicht mit dem Gerät spielen.
- Reinigungs- und Wartungsarbeiten dürfen nicht von Kindern ausgeführt werden, sofern diese nicht durch einen Erwachsenen beaufsichtigt werden.

1.2 Zweckmäßiger Gebrauch

- Mikrowellenherd nur als Einbaugerät verwenden.
- Das Gerät nicht für Zwecke benutzen, für die es nicht bestimmt ist.
- Gerät nicht als Heizung missbrauchen.
- Der Mikrowellenherd ist nur zum Auftauen, Garen und Schmoren von Lebensmitteln vorgesehen.

- Verschluckungsgefahr! Alle Verpackungsmaterialien von Kindern fernhalten.
- Sie dürfen Kindern die Benutzung des Mikrowellenherds nur erlauben, wenn sie angemessen im sicheren Gebrauch des Gerätes angeleitet wurden und die Gefahren einer unsachgemäßen Benutzung versteht.
- Aufgrund von übermäßiger Hitze in Grill- und Kombimodus sollten Sie Kindern die Nutzung dieser Modi nur unter Aufsicht eines Erwachsenen erlauben.
- Bewahren Sie Produkt und Netzkabel so auf, dass Kinder unter 8 Jahren nicht darauf zugreifen können.
- Das Gerät und seine zugänglichen Flächen können im Betrieb sehr heiß werden. Kinder fernhalten.

1.4 Konformität mit der WEEE-Richtlinie und Entsorgung von Altprodukten



Dieses Produkt enthält keine der in der vom Ministerium für Umwelt und Städteplanung ausgestellten „Regulierung zur Überwachung von elektrischen und elektronischen Altgeräten“ angegebenen gefährlichen und verbotenen Materialien. Das Gerät erfüllt die Vorgaben der WEEE-Richtlinie. Dieses Produkt wurde aus hochwertigen Teilen und Materialien hergestellt, die wiederverwendet werden können und zum Recycling geeignet sind.

Deshalb darf das Gerät am Ende seiner Einsatzzeit nicht mit dem normalen Hausmüll entsorgt werden. Geben Sie das Gerät bei einer Sammelstelle ab, die für das Recycling von elektrischen und elektronischen Geräten zuständig ist. Erkundigen Sie sich bei der örtlichen Behörde in Ihrer Region nach diesen Sammelstellen. Durch das Recycling von Altgeräten tragen Sie zum Schutz der Umwelt und natürlichen Rohstoffe bei.

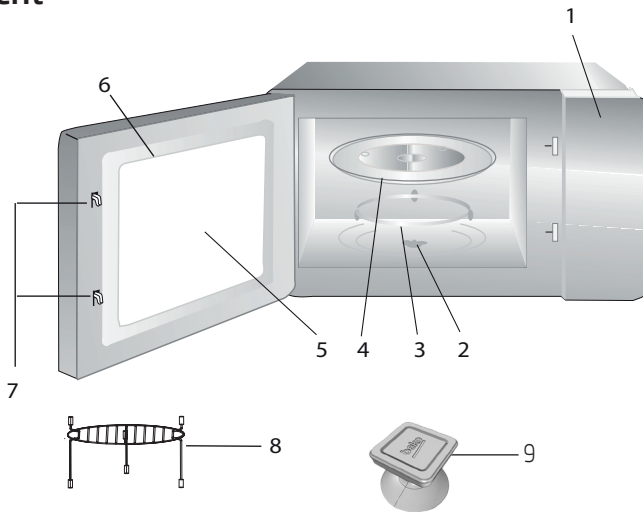
1.5 Informationen zur Verpackung



Die Verpackung des Produkts wurde gemäß unserer nationalen Gesetzgebung aus recyclingfähigen Materialien hergestellt. Entsorgen Sie die Verpackungsmaterialien nicht mit dem Hausmüll oder anderem Müll. Bringen Sie sie zu einer von der Stadtverwaltung bereitgestellten Sammelstelle für Verpackungsmaterial.

2 Ihr Mikrowellenherd

2.1 Übersicht



2.1.1 Bedienelemente und Teile

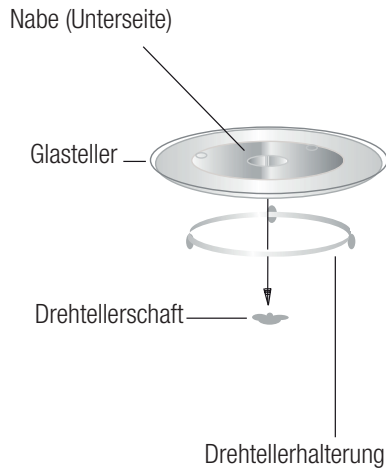
1. Bedienfeld
2. Drehtellerschaft
3. Drehtellerhalterung
4. Glasteller
5. Gerätefenster
6. Türgruppe
7. Türsicherheitsperrsystem
8. Grillrost (nur zur Verwendung mit der Grillfunktion; immer auf den Glasteller stellen)
9. Vakuumheber zum manuellen Öffnen der Tür

2.1.2 Technische Daten

Stromverbrauch	230 V Wechselspannung, 50 Hz, 1450 W (Mikrowelle) 2500 (Umluft) 1100 W (Grill)
Leistung	900 W
Betriebsfrequenz	2450 MHz
Wartość prądu w amperach	11.5 A
Externe Abmessungen	595 x 470 x 388 mm
Innenabmessungen des Mikrowellenherds	226 x 328 x 346 mm
Gerätekapazität	25 Liter
Nettogewicht	21.0 kg

Markierungen am Produkt oder in den mitgelieferten Dokumenten angegebene Werte stellen Werte dar, die unter Laborbedingungen nach den jeweils geltenden Standards ermittelt wurden. Diese Werte können je nach Einsatz- und Umgebungsbedingungen variieren. Leistungswerte getestet bei 230 V.

2.1.3 Drehteller installieren



- Glasteller niemals verkehrt herum aufstellen. Der Glasteller darf niemals blockiert werden.
- Sowohl Glasteller als auch Drehtellerhalterung müssen stets während des Garens verwendet werden.
- Alle Lebensmittel und Lebensmittelbehälter müssen zum Garen auf dem Glasteller platziert werden.
- Falls Glasteller oder Drehtellerhalterung Risse oder Bruchstellen aufweisen, wenden Sie sich an Ihr autorisiertes Kundencenter vor Ort.

3 Installation und Anschluss

3.1 Installation und Anschluss

- Entfernen Sie alle Verpackungsmaterialien und Zubehörteile. Untersuchen Sie das Gerät auf mögliche Schäden, wie Beulen oder eine defekte Tür. Installieren Sie den Mikrowellenherd nicht, falls er beschädigt ist.
- Entfernen Sie jegliche Schutzfolien an der Schrankfläche des Mikrowellenherds.
- Entfernen Sie nicht die hellbraune Mica-Abdeckung im Garraum des Mikrowellenherds, da diese die Magnetfeldröhre schützt.
- Dieses Gerät ist nur für den privaten Gebrauch bestimmt.
- Der Mikrowellenherd darf nur als Einbaugerät verwendet werden. Stellen Sie es zum Betrieb nicht auf eine Arbeitsfläche oder in einen Schrank.
- Bitte beachten Sie die speziellen Installationsanweisungen.
- Das Gerät kann in einem 60 cm breiten, an der Wand montierten Schrank (mindestens 55 cm tief und 85 cm über dem Boden) installiert werden.
- Das Gerät verfügt über einen Stecker und darf nur an eine ordnungsgemäß installierte, geerdete Steckdose angeschlossen werden.
- Die Netzspannung muss der am Typenschild angegebenen Spannung entsprechen.
- Die Steckdose muss installiert sein; das Anschlusskabel darf nur durch autorisiertes Servicepersonal ersetzt werden. Falls der Stecker nach der Installation nicht mehr zugänglich ist, muss eine allpolige Trennvorrichtung mit einem Kontaktabstand von mindestens 3 mm vorhanden sein.
- Adapter, Mehrfachsteckdosen und Verlängerungskabel dürfen nicht verwendet werden. Bei einer Überlastung besteht Brandgefahr.

1.



Zugängliche Flächen können während des Betriebs heiß werden.

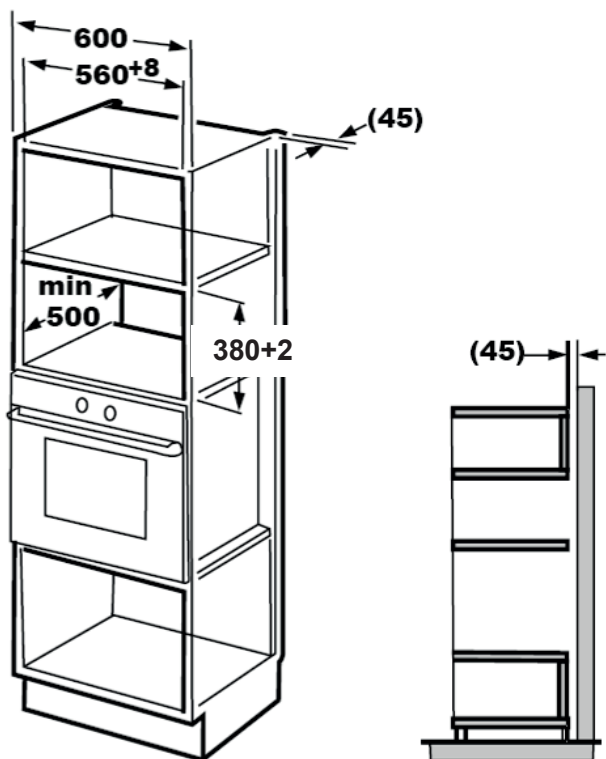


Achten Sie darauf, das Netzkabel nicht einzuklemmen oder zu biegen.

3 Installation und Anschluss

3.2 Integrierte Installation

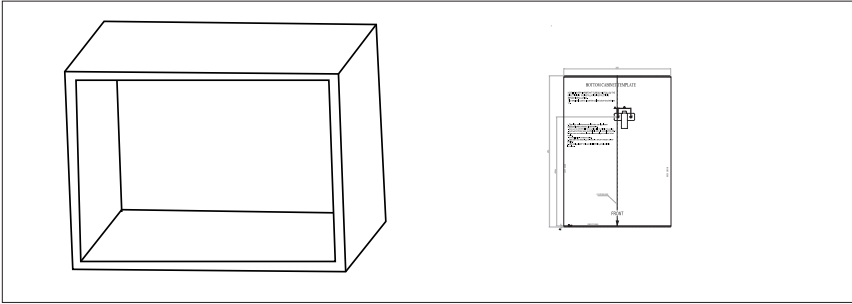
3.2.1 Möbelabmessungen für die integrierte Installation



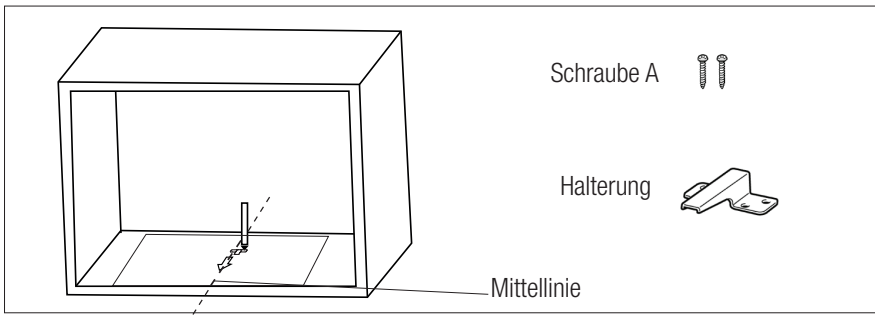
3 Installation und Anschluss

3.2.2 Schrank vorbereiten

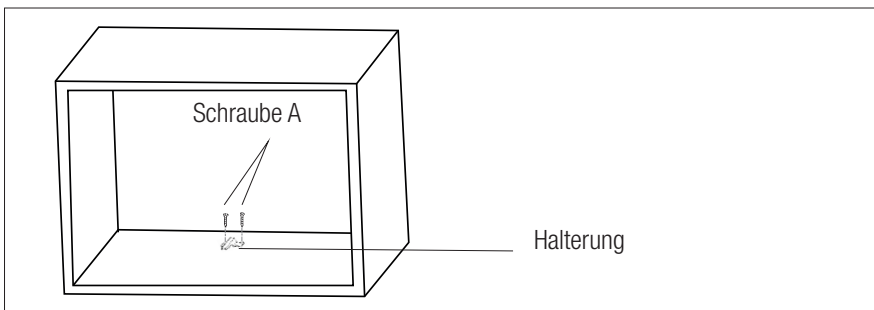
1. Lesen Sie die Anweisungen auf der Schablone (Schrank/unten) und legen Sie die Schablone auf die untere Innenseite des Schrankes.



2. Kennzeichnen Sie die Stellen an der unteren Innenseite des Schrankes entsprechend den Markierungen „a“ der Schablone.



3. Entfernen Sie die Schablone (Schrank/unten) und befestigen Sie die Halterung mit Schraube A.

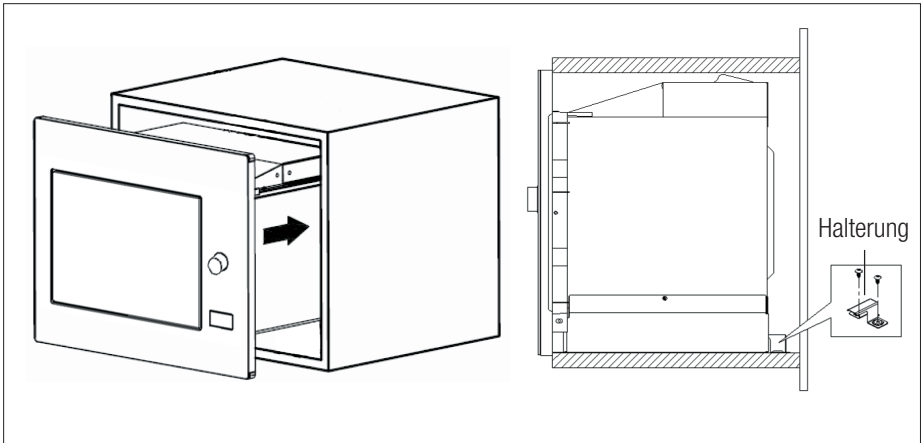


3 Installation und Anschluss

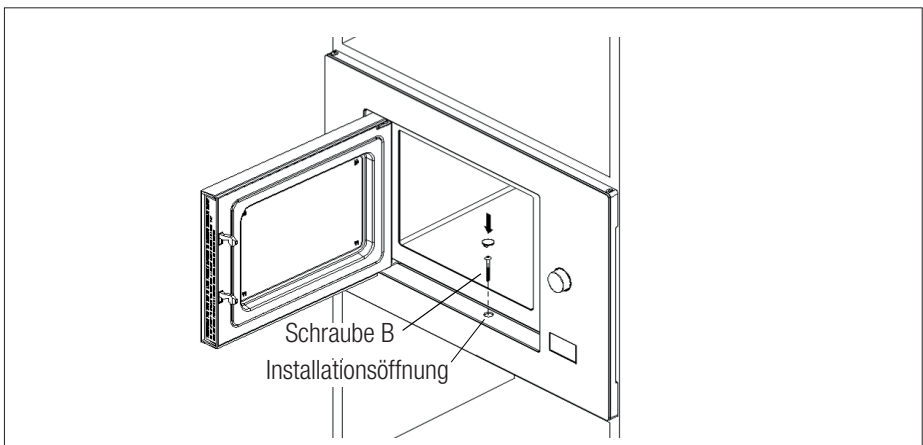
3.2.3 Mikrowellenherd befestigen

1. Installieren Sie den Mikrowellenherd im Schrank.

- Stellen Sie sicher, dass die Rückseite des Mikrowellenherds in der Halterung eingerastet ist.
- Achten Sie darauf, das Netzkabel nicht einzuklemmen oder zu biegen.



2. Öffnen Sie die Tür, befestigen Sie das Gerät mit Schraube B durch die Installationsöffnung am Schrank. Befestigen Sie dann die Einbaurahmen-Kunststoffabdeckung an der Installationsöffnung.



3.3 Funkstörungen



Der Betrieb des Mikrowellenherds kann Störungen bei Radios, Fernsehern und ähnlichen Geräten verursachen.

- Stellen Sie den Mikrowellenherd so weit wie möglich von Radios und Fernsehern entfernt auf. Durch Inbetriebnahme des Mikrowellenherdes können Störungen Ihres Radio- oder Fernsehempfangs verursacht werden. 2. Schließen Sie Ihr Gerät an eine haushaltsübliche Steckdose an. Achten Sie darauf, dass Spannung und Frequenz den Angaben am Typenschild entsprechen.
- Störungen lassen sich durch folgende Maßnahmen reduzieren oder beseitigen:
- Reinigen Sie Tür und Dichtfläche des Gerätes.
- Richten Sie die Antenne des Radios oder Fernsehers neu aus.
- Stellen Sie das Gerät basierend auf der Position des Receivers neu auf.
- Entfernen Sie den Mikrowellenherd vom Receiver.
- Schließen Sie den Mikrowellenherd an eine andere Steckdose an, damit Mikrowellenherd und Receiver unterschiedliche Leitungen nutzen.

3.4 Grundsätzliches zur Mikrowellenzubereitung

- Bereiten Sie die Lebensmittel sorgfältig vor. Bewahren Sie den Rest gesondert auf.
- Beachten Sie die Garzeit. Verwenden Sie die kürzeste angegebene Garzeit; verlängern Sie das Garen, falls erforderlich. Übergarte Lebensmittel können Rauch verursachen und verbrennen.

- Decken Sie die Lebensmittel während des Garens ab. Durch Abdecken der Lebensmittel werden Spritzer verhindert und die Lebensmittel gleichmäßig gegart.
- Wenden Sie Lebensmittel, wie Geflügel und Hamburger, während des Garens; dadurch lassen sich solche Lebensmittel schneller zubereiten. Größere Lebensmittel, wie Braten, müssen mindestens einmal gewendet werden.
- Wenden Sie Lebensmittel, wie Frikadellen, nach der Hälfte der Garzeit; wechseln Sie ihre Position von der Mitte des Tellers an den Rand.

3.5 Erdung

Dieses Gerät muss geerdet sein.

Der Mikrowellenherd besitzt ein Erdungskabel mit geerdetem Stecker. Das Gerät muss an eine ordnungsgemäß installierte und geerdete Steckdose angeschlossen werden. Ein Erdungssystem erlaubt einen Schutzleiter für elektrischen Strom im Falle eines Kurzschlusses und reduziert damit die Stromschlaggefahr. Wir empfehlen, einen Stromkreis speziell für den Mikrowellenherd zu verwenden. Der Betrieb mit hoher Spannung ist gefährlich und kann Brände und andere Unfälle verursachen, die den Mikrowellenherd beschädigen.



WARNUNG: Ein Missbrauch des geerdeten Steckers kann Stromschläge verursachen.



Falls Sie Fragen zu Erdung und Anschluss haben, wenden Sie sich bitte an einen qualifizierten Elektriker oder das Kundendienstpersonal.



Hersteller und/oder Händler haften nicht für Verletzungen oder Geräteschäden aufgrund von Nichteinhaltung der Anweisungen zum elektrischen Anschluss.

3.6 Utensilientest

Betreiben Sie den Mikrowellenherd niemals im Leerzustand. Die einzige Ausnahme stellt der im folgenden Abschnitt beschriebene Utensilientest dar. Einige nicht metallische Utensilien sind möglicherweise nicht zur Benutzung in einem Mikrowellenherd geeignet. Falls Sie nicht sicher sind, ob ein Utensil mikrowellengeeignet ist, können Sie folgenden Test durchführen.

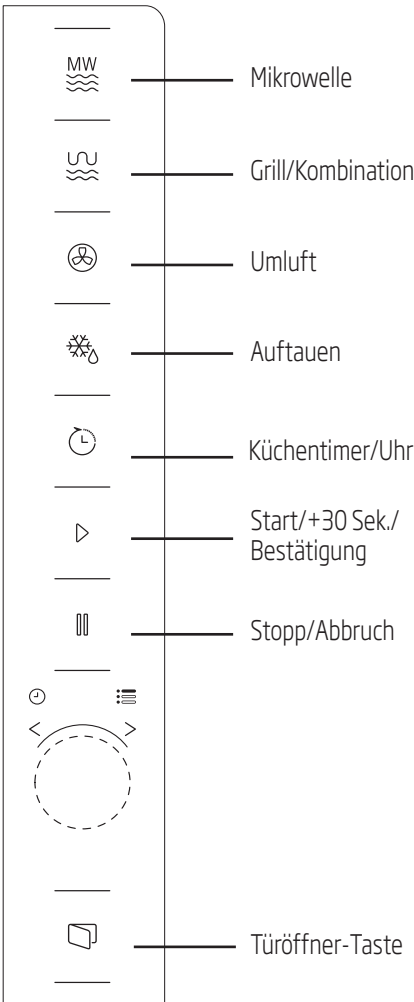
1. Geben Sie das betreffende leere Utensil gemeinsam mit einem mikrowellengeeigneten Glas mit 250 ml Wasser in den Mikrowellenherd.
2. Betreiben Sie den Mikrowellenherd 1 Minute lang bei maximaler Leistung.
3. Prüfen Sie vorsichtig die Temperatur des getesteten Utensils. Falls es sich erwärmt hat, ist es nicht zum Einsatz in der Mikrowelle geeignet.

4. Übersteigen Sie niemals die maximale Betriebszeit von 1 Minute. Stoppen Sie den Betrieb des Mikrowellenherdes, falls Sie während der Testminute einen Lichtbogen beobachten. Utensilien, die Lichtbögen verursachen, sind nicht zum Einsatz in der Mikrowelle geeignet.

Folgende Auflistung ist eine allgemeine Anleitung, die Ihnen bei der Auswahl des richtigen Utensils helfen soll.

Küchenutensilien	Mikrowelle	Grill	Kombination
Hitzebeständiges Glas	Ja	Ja	Ja
Nicht hitzebeständiges Glas	Nein	Nein	Nein
Hitzebeständige Keramik	Ja	Ja	Ja
Mikrowellengeeignetes Kunststoffgeschirr	Ja	Nein	Nein
Pappgeschirr	Ja	Nein	Nein
Metallschale	Nein	Ja	Nein
Metallgestell	Nein	Ja	Nein
Alufolie und Folienabdeckungen	Nein	Ja	Nein
Schaumstoffmaterial	Nein	Nein	Nein

4.1 Bedienfeld



4.2 Bedienungsanweisungen

4.2.1 Zeit einstellen

Wenn der Mikrowellenherd mit Strom versorgt wird, erscheint „0:00“ am Bildschirm und der Summer gibt einen Signalton aus.

1. Drücken Sie zweimal (Küchentimer/Uhr) und die Stundenanzeige beginnt zu blinken.
2. Passen Sie durch Drehen von den Stundenwert an; der eingegebene Wert sollte zwischen 0 und 23 liegen.
3. Drücken Sie (Küchentimer/Uhr) und die Minutenanzeige beginnt zu blinken.
4. Passen Sie durch Drehen von den Minutenwert an; der eingegebene Wert sollte zwischen 0 und 59 liegen.
5. Drücken Sie zum Abschließen der Zeiteinstellung (Küchentimer/Uhr); das Symbol „“ blinkt und die Zeit leuchtet.



Wenn Sie (Stopp/Abbruch) während der Zeiteinstellung drücken, kehrt das Gerät automatisch in den vorherigen Modus zurück.

4.2.2 Mit dem Mikrowellenherd garen






1. Drücken Sie (Mikrowelle) und „PL10“ wird am LED-Bildschirm angezeigt.
2. Wählen Sie die gewünschte Leistung, indem Sie erneut (Mikrowelle) drücken oder drehen. Mit jeder Betätigung der Taste wird der Reihe nach „PL10“, „PL8“, „PL5“, „PL3“ oder „PL1“ oder „PL10“ angezeigt.
3. Und drehen Sie zum Einstellen der Garzeit auf einen Wert zwischen 0:05 bis 95:00 .

4 Bedienung

4. Drücken Sie zum Starten des Garens erneut  (Start/+30 Sek./Bestätigung).



Beispiel: Wenn Sie 20 Minuten lang bei 80 % Mikrowellenleistung garen möchten, können Sie das Gerät wie folgt bedienen.

5. Drücken Sie einmal  (Mikrowelle) und „PL10“ wird am Bildschirm angezeigt.
6. Drücken Sie zum Einstellen von 80 % Mikrowellenleistung noch einmal  (Mikrowelle) oder drehen Sie .
7. Passen Sie durch Drehen von  die Garzeit an, bis „20:00“ angezeigt wird.
8. Drücken Sie zum Starten des Garens  (Start/+30 Sek./Bestätigung).





Die Schritte zur Anpassung der Zeit in der Kodiertaste sind wie folgt:

Dauer einstellen	Wert je Schritt
0 - 1 Minute	5 Sekunden
1 - 5 Minuten	10 Sekunden
5 - 10 Minuten	30 Sekunden
10 - 30 Minuten	1 Minute
30 - 95 Minuten	5 Minuten

4.2.3 Anweisungen zum Tastenfeld (Mikrowelle)





Bestel- lung	Bild- schirm	Mikrowel- lenleistung
1	PL10	100 %
2	PL8	80 %
3	PL5	50 %
4	PL3	30 %
5	PL1	10 %

4.3 Mit Grill- oder Kombimodus garen

1. Drücken Sie  (Grill/Kombination) und „G“ wird am LED-Bildschirm angezeigt. Wählen Sie die gewünschte Leistung, indem Sie wiederholt  (Grill/Kombination) drücken. Mit jeder Betätigung der Taste wird der Reihe nach „C-1“, „C-2“, „C-3“ oder „C-4“ angezeigt.
2. Drehen Sie zum Einstellen der Garzeit auf einen Wert zwischen 0:05 bis 95:00 .
3. Drücken Sie zum Starten des Garens erneut  (Start/+30 Sek./Bestätigung).



Beispiel: Wenn Sie 10 Minuten lang im Kombimodus (MWO + Grill) (C-2) garen möchten, können Sie das Gerät wie folgt bedienen.

1. Drücken Sie einmal  (Grill/Kombination) und „G“ wird am Bildschirm angezeigt.
2. Wählen Sie Kombimodus 2, indem Sie erneut  (Grill/Kombination) drücken.
3. Passen Sie durch Drehen von  die Garzeit an, bis „10:00“ angezeigt wird.
4. Drücken Sie zum Starten des Garens  (Start/+30 Sek./Bestätigung).

4 Bedienung

4.3.1 Anweisungen zum Tastenfeld (Grill/Kombination)

Bestellung	Bildschirm	Mikrowellenleistung	Grill Leistung	Umluft
1	C-1	●		●
2	C-2	●	●	
3	C-3		●	●
4	C-4	●	●	●



Nach Ablauf der Hälfte der Grillzeit gibt das Gerät zwei Signaltöne aus; dies ist normal. Zur Verbesserung des Grilleffekts sollten Sie die Lebensmittel wenden, die Tür schließen und das Garen mit der Taste (Start/+30 Sek./Bestätigung) fortsetzen. Falls keine Bedienung erfolgt, setzt das Gerät das Garen fort.

4.4 Umluft

4.4.1 Umluftgaren (mit Vorheizen)

Das Umluftgaren ermöglicht Ihnen das Garen von Lebensmitteln wie in einem herkömmlichen Backofen. Es kommen keine Mikrowellen zum Einsatz. Sie sollten das Gerät auf die geeignete Temperatur vorheizen, bevor Sie das Gericht in den Ofen geben.

1. Drücken Sie die Taste "⊗" (Umluft) einmal, „130 °C“ wird angezeigt.
2. Wählen Sie die Umluftfunktion, indem Sie wiederholt "⊗" (Umluft) drücken. Wenn die Umlufttemperatur erscheint, bedeutet dies, dass die Umluftfunktion aktiv ist. Die Temperatur kann auf 130 bis 220 °C eingestellt werden.

3. Drücken Sie zum Starten des Vorheizens "▷" (Start/+ 30 Sek./Bestätigen). Bei Erreichen der eingestellten Temperatur werden Sie mittels Summer daran erinnert, das Gericht in den Ofen zu geben. Die Temperatur zum Vorheizen wird angezeigt und blinkt.
4. Geben Sie das Gericht in den Ofen, schließen Sie die Ofentür. Zum Anpassen der Garzeit drehen. (Die maximale Zeit beträgt 95 Minuten.)
5. Drücken Sie zum Starten des Garens die Taste "▷" (Start/+ 30 Sek./Bestätigen).




Die Garzeit kann nicht bis zum Erreichen der Vorheizen-Temperatur nicht angepasst werden.

Wenn die Temperatur erreicht ist, muss zum Anpassen der Garzeit die Ofentür geöffnet werden. Falls die Zeit nicht innerhalb 5 Minuten angepasst wird, stoppt der Ofen das Vorheizen. Der Summer ertönt fünfmal und das Gerät kehrt in den Bereitschaftsmodus zurück.

4.4.2 Umluftgaren (ohne Vorheizen)

1. Drücken Sie die Taste "⊗" (Umluft) einmal, „130 °C“ wird angezeigt.
2. Wählen Sie die Umluftfunktion, indem Sie wiederholt "⊗" (Umluft) drücken. Wenn die Umlufttemperatur erscheint, bedeutet dies, dass die Umluftfunktion aktiv ist. Die Temperatur kann auf 130 bis 220 °C eingestellt werden.
3. Zum Anpassen der Garzeit drehen. (Die maximale Zeit beträgt 95 Minuten.)
4. Drücken Sie zum Starten des Garens die Taste "▷" (Start/+ 30 Sek./Bestätigen).



4.5 Schnellstart

1. Drücken Sie im Bereitschaftsmodus zum Starten des Garens mit 100 % Mikrowellenleistung ▷ (Start/+30 Sek./Bestätigung). Mit jeder Betätigung der Taste erhöht sich die Garzeit in Schritten von 30 Sekunden bis 95 Minuten.
2. In den Modi Mikrowellengaren, Grill und Kombigaren oder Auftauen wird die Garzeit mit jeder Betätigung der Taste ▷ (Start/+30 Sek./Bestätigung) um 30 Sekunden erhöht.
3. Drehen Sie  im Bereitschaftsmodus zum Einstellen der Garzeit beim Garen mit 100 % Mikrowellenleistung gegen den Uhrzeigersinn; drücken Sie zum Starten des Garens ▷ (Start/+30 Sek./Bestätigung).





In den Modi Automatische Zubereitung und Auftauen nach Gewicht wird die Garzeit bei Betätigung der Taste ▷ (Start/+30 Sek./Bestätigung) nicht erhöht.

4.6 Auftauen nach Gewicht



1. Drücken Sie  (Auftauen) einmal.
2. Wählen Sie durch Drehen von  das Gewicht des Lebensmittels von 100 bis 2000 g.
3. Drücken Sie zum Starten des Auftauens ▷ (Start/+30 Sek./Bestätigung).

4.7 Auftauen nach Zeit

1. Drücken Sie zweimal  (Auftauen).
2. Wählen Sie durch Drehen von  die gewünschte Auftauzeit. Die maximale Zeit beträgt 95 Minuten.
3. Drücken Sie zum Starten des Auftauens ▷ (Start/+30 Sek./Bestätigung). Die Leistung beim Auftauen entspricht PL3 und kann nicht geändert werden.

4.8 Küchentimer (Countdown)

Ihr Mikrowellenherd ist mit einem automatischen Timer ausgestattet, der nicht mit den Gerätefunktionen verknüpft ist und separat genutzt werden kann (er kann auf bis zu 95 Minuten eingestellt werden).

1. Drücken Sie einmal  (Küchentimer/Uhr) und 00:00 wird am LED-Bildschirm angezeigt.
2. Drehen Sie  zur Eingabe der richtigen Zeit.
3. Drücken Sie zum Bestätigen der Einstellung ▷ (Start/+30 Sek./Bestätigung).

4 Bedienung



4. Wenn ab der eingegebenen Zeit auf 00:00 heruntergezählt wurde, gibt der Summer fünf Signaltöne aus. Falls die Zeit eingestellt ist (24-Stunden-System), wird die aktuelle Uhrzeit am LED-Bildschirm angezeigt.

Sie können den Timer jederzeit mit  (Stopp/Abbruch) abbrechen.



Der Küchentimer funktioniert anders als das 24-Stunden-System. Der Küchentimer ist nur ein Timer.

4.9 Automatische Zubereitung

1. Zur Auswahl des gewünschten Gerichts im Uhrzeigersinn drehen. Gerichte zwischen „AC01“ und „AC10“.
2. Drücken Sie zum Bestätigen  (Start/+30 Sek./Bestätigung).
3. Zur Auswahl des Standardgewichts entsprechend der Lebensmitteltabelle drehen.
4. Drücken Sie zum Starten des Garens  (Start/+30 Sek./Bestätigung).

4 Bedienung

4.9.1 Gericht automatisch garen

Gericht	Gewicht	Bildschirm	Leistungsfähigkeit
AC01 Pizza	200 g	200 g	C-4 / Grill
	300 g	300 g	
	400 g	400 g	
AC02 Fleisch	150 g	150 g	100%
	300 g	300 g	
	450 g	450	
	600 g	600 g	
AC03 Gemüse	150 g	150 g	100%
	350 g	350 g	
	500 g	500 g	
AC04 Nudeln	50 g (mit 450 ml kaltem Wasser)	50 g	80%
	100 g (mit 800 ml kaltem Wasser)	100 g	
	150g (mit 1200 ml kaltem Wasser)	150 g	
AC05 Kuchen	475 g	475 g	Auf 160 °C vorheizen
AC06 Kartoffeln	1 (ungefähr 230 g)	1	100%
	2 (ungefähr 460 g)	2	
	3 (ungefähr 690 g)	3	
AC07 Fisch	150 g	150 g	80%
	250 g	250 g	
	350 g	350 g	
	450 g	450 g	
	650 g	650 g	
AC08 Getränke	1 Glas (yaklaşık 240 g)	1	100%
	2 Gläser (yaklaşık 480 g)	2	
	3 Gläser (yaklaşık 720 g)	3	

4 Bedienung

AC09 Popcorn	50 g	50	100% Mikrowelle
	100 g	100	
AC10 Hühnchen	500g	500g	C-4/ Aufwärmen 200°C
	750g	750g	
	1000g	1000g	
	1200g	1200g	

4.10 Mehrstufiges Garen

Es können maximal 2 Schritte zum Garen eingestellt werden. Falls beim mehrstufigen Garen den Vorgang Auftauen beinhaltet, muss das Auftauen der erste Schritt sein.



Befolgen Sie die nachstehenden Schritte, wenn Sie Lebensmittel 5 Minuten lang auftauen und dann 7 Minuten lang bei 80 % Mikrowellenleistung garen möchten:

1. Einmal (Auftauen nach Zeit) drücken.
2. Wählen Sie durch Drehen von die gewünschte Auftauzeit, bis „5:00“ am Bildschirm angezeigt wird.
3. Drücken Sie einmal (Mikrowelle) und „PL10“ wird am Bildschirm angezeigt.
4. Drücken Sie zum Einstellen von 80 % Mikrowellenleistung noch einmal (Mikrowelle) oder drehen Sie .
5. Passen Sie durch Drehen von die Garzeit an, bis „7:00“ angezeigt wird.
6. Drücken Sie zum Starten des Garens (Start/+30 Sek./Bestätigung). Der Summer gibt beim ersten Schritt einen Signalton aus und die Auftauzeit beginnt herunterzuzählen.


Der Summer gibt einen weiteren Signalton aus, sobald der zweite Garschritt beginnt. Am Ende des Garens gibt der Summer 5 Signalöne aus.

4.11 Abfragefunktion

1. Drücken Sie in den Modi Mikrowelle, Grill und Kombination (Mikrowelle) oder (Grill/Kombination) und die aktuelle Leistungsstufe wird 3 Sekunden lang angezeigt. Nach 3 Sekunden kehrt der Mikrowellenherd zum vorherigen Modus zurück.
2. Drücken Sie während des Garens (Küchentimer/Uhr) und die aktuelle Uhrzeit wird 3 Sekunden lang eingeblendet.

4.12 Kindersicherung

1. **Sperren:** Halten Sie im Bereitschaftsmodus 3 Sekunden lang (Stopp/Abbruch) gedrückt und der Summer zeigt durch einen Signalton an, dass die Kindersicherung aktiviert ist. Falls die Zeit bereits eingestellt ist, wird zudem die aktuelle Uhrzeit angezeigt; andernfalls erscheint 0:00 am LED-Bildschirm.

2. **Freigeben:** Zum Deaktivieren der Kindersicherung halten Sie im Bereitschaftsmodus 3 Sekunden lang  (Stopp/Abbruch) gedrückt und ein langer Signalton zeigt an, dass die Kindersicherung deaktiviert ist.

4.13 Gerätetür öffnen

Drücken Sie  (Türöffner) und die Gerätetür öffnet sich.

5 Reinigung und Wartung

5.1 Reinigung



WARNUNG: Reinigen Sie das Gerät niemals mit Benzin, Lösungsmitteln, Scheuermitteln, Metallgegenständen, harten Bürsten oder ähnlichen Hilfsmitteln.



WARNUNG: Tauchen Sie weder das Gerät noch sein Netzkabel in Wasser oder andere Flüssigkeiten.

1. Gerät ausschalten und Netzstecker aus der Steckdose ziehen.
2. Warten, bis das Gerät vollständig abgekühlt ist.
3. Innenseite des Gerätes sauber halten. Mit einem feuchten Tuch abwischen, falls verschüttete Lebensmittel oder Flüssigkeiten an den Innenwänden haften. Bei einem stark verschmutzten Gerät kann ein mildes Reinigungsmittel verwendet werden. Keine Sprays und anderen aggressiven Reinigungsmittel verwenden, da diese Flecken hinterlassen und die Türfläche stumpf werden lassen können.
4. Die Außenflächen des Gerätes müssen mit einem feuchten Tuch gereinigt werden. Dabei darauf achten, dass kein Wasser in die Belüftungsöffnungen gelangt; andernfalls können interne Komponenten beschädigt werden.
5. Beide Seiten von Tür und Glas, Türdichtungen und Teile in der Nähe der Dichtungen zur Beseitigung von Lebensmittelresten regelmäßig mit einem feuchten Tuch abwischen. Keine Scheuermittel verwenden.
6. Darauf achten, dass das Bedienfeld nicht feucht wird. Mit einem weichen, angefeuchteten Tuch reinigen. Gerätetür zur Vermeidung eines unbeabsichtigten Einschaltens während der Reinigung des Bedienfeldes offen lassen.
7. Falls sich Dampf in und um die Gerätetür ansammelt, diese mit einem weichen Tuch abwischen. Dies kann geschehen, wenn der Mikrowellenherd bei hoher Luftfeuchtigkeit verwendet wird. Dies ist normal.
8. In einigen Fällen müssen Sie zur Reinigung den Glasteller herausnehmen. Teller in warmem Seifenwasser oder einem Geschirrspüler reinigen.
9. Walzenring und Geräteboden sollten zur Vermeidung übermäßiger Geräuschemission regelmäßig gereinigt werden. Es genügt, die Unterseite des Gerätes mit einem milden Reiniger abzuwischen. Walzenring in warmem Seifenwasser oder einem Geschirrspüler reinigen. Wenn Sie den Walzenring zur Reinigung vom Boden im Geräteinneren entfernen, müssen Sie darauf achten, ihn wieder an der richtigen Position anzubringen.
10. Zur Beseitigung schlechter Gerüche in Ihrem Gerät eine tiefe mikrowellene geeignete Schüssel mit Wasser und einer aufgeschnittenen Zitrone in das Gerät stellen und den Mikrowellenherd 5 Minuten lang im Mikrowellenmodus betreiben. Gründlich abwischen und mit einem weichen Tuch abtrocknen.
11. Bitte wenden Sie sich an den autorisierten Kundendienst, wenn die Beleuchtung ersetzt werden muss.
12. Das Gerät sollte regelmäßig gereinigt und von jeglichen Lebensmittelresten befreit werden. Falls das Gerät nicht sauber gehalten wird, können Oberflächendefekte auftreten, welche die Produktlebenszeit negativ beeinträchtigen und mögliche Risiken bergen können.
13. Bitte entsorgen Sie dieses Gerät nicht mit dem Hausmüll; Altgeräte müssen bei speziellen von der Stadtverwaltung bereitgestellten Sammelstellen abgegeben werden.

14. Wenn der Mikrowellenherd in der Grillfunktion genutzt wird, können etwas Rauch und Gerüche entstehen, die nach einiger Zeit im Betrieb verschwinden.

5.2 Lagerung

- Lagern Sie das Gerät sorgfältig, wenn Sie es längere Zeit nicht benutzen sollten.
- Sorgen Sie dafür, dass das Gerät vom Stromnetz getrennt, gänzlich abgekühlt und trocken ist.
- Lagern Sie das Gerät an einem kühlen, trockenen Ort.
- Halten Sie das Gerät von Kindern fern.

6 Fehlerbehebung

Normal	
Mikrowellenherd verursacht Störungen des Fernsehempfangs	Der Radio- und Fernsehempfang kann durch den Betrieb des Mikrowellenherdes gestört werden. Dies ähnelt den Störungen, die durch kleine Elektrogeräte, wie Mixer, Staubsauger und Ventilatoren, verursacht werden. Dies ist normal.
Die Beleuchtung verdunkelt sich	Arbeitet der Mikrowellenherd mit geringer Leistung, kann sich die Beleuchtung verdunkeln. Dies ist normal.
Dampf sammelt sich an der Tür, heiße Luft kommt aus den Belüftungsöffnungen.	Während des Garens kann Dampf von den Lebensmitteln aufsteigen. Ein Großteil dieses Dampfes tritt aus den Belüftungsöffnungen aus. Etwas Dampf kann sich jedoch auch an einer kühlen Stelle, wie z. B. der Tür, ansammeln. Dies ist normal.
Gerät versehentlich im Leerzustand gestartet.	Das Gerät darf nicht im Leerzustand (ohne Lebensmittel) betrieben werden. Das ist sehr gefährlich.

Problem	Mögliche Ursache	Lösung
Das Gerät kann nicht gestartet werden.	(1) Das Netzkabel ist nicht richtig angeschlossen.	Netzstecker ziehen. Nach 10 Sekunden wieder anschließen.
	(2) Sicherung ist durchgebrannt oder Schutzschalter hat ausgelöst.	Sicherung ersetzen oder Schutzschalter rücksetzen (durch professionelles Personal unseres Unternehmens ersetzen lassen).
	(3) Problem mit der Steckdose.	Steckdose mit anderen Elektrogeräten testen.
Das Gerät erhitzt sich nicht.	(4) Die Tür ist nicht richtig geschlossen.	Tür richtig schließen.
Glasdrehteller macht Geräusche, wenn der Mikrowellenherd in Betrieb ist	(5) Drehteller und Boden des Gerätes sind verschmutzt.	Verschmutzte Teile entsprechend dem Abschnitt „Reinigung und Pflege“ reinigen.
Gerät zeigt den Fehler E-3 und funktioniert nicht (bei Modell MGB 25333 BG)	(6) Gerätetür öffnet sich nicht (aufgrund einer Blockade vor der Tür, geringer Spannung etc.)	Netzstecker ziehen. Nach 10 Sekunden wieder anschließen.

Avant d'utiliser l'appareil, veuillez lire ce manuel !

Chère cliente, cher client,

Merci d'avoir choisi les produits Beko. Nous espérons que ce produit, fabriqué dans des installations modernes et soumis à un processus de contrôle qualité rigoureux, vous offre les meilleures performances possibles. C'est pourquoi nous vous recommandons, avant d'utiliser ce produit, de lire attentivement ce manuel et tous les autres documents fournis et de les conserver soigneusement pour toute consultation future. Si vous confiez le produit à quelqu'un d'autre, n'oubliez pas de lui remettre également le manuel d'utilisation. Veuillez à bien respecter les consignes et les instructions figurant dans le manuel d'utilisation.

Signification des symboles

Les symboles suivants sont utilisés tout au long de ce manuel :

	Informations importantes et conseils utiles sur l'utilisation de l'appareil.
--	--

	Avertissement sur les situations dangereuses concernant la sécurité des biens et des personnes.
--	---

	Avertissement en cas de contact avec une surface brûlante.
--	--



Ce produit a été fabriqué dans une usine moderne respectueuse de l'environnement.

TABLE DES MATIÈRES

1 Instructions importantes en matière de sécurité et d'environnement 57

1.1 Consignes générales de sécurité.....	57
1.2 Sécurité électrique.....	59
1.3 Sécurité du produit.....	60
1.4 Utilisation prévue.....	61
1.5 Conformité avec la directive DEEE et mise au rebut des produits usagés.....	62
1.6 Information sur l'emballage.....	62

2 Votre four à micro-ondes 63

2.1 Aperçu.....	63
2.2 Données techniques.....	63
2.3 Installation du plateau tournant.....	64

3 Installation et raccordement 65

3.1 Installation et raccordement.....	65
3.2 Installation du micro-ondes.....	66
3.2.1 Niche d'encastrement.....	66
3.2.2 Fixation du support d'encastrement.....	67
3.2.3 Fixation du four.....	68
3.3 Principes du fonctionnement au micro-ondes.....	69
3.4 Raccordement électrique.....	69
3.5 Test des ustensiles.....	69

4 Fonctionnement 71

4.1 Bandeau de commande.....	71
4.2 Réglage de l'heure.....	71
4.3 Préparation d'une cuisson au micro-ondes.....	71
4.4 Programmes de cuisson au micro-ondes.....	72
4.5 Préparation d'une cuisson au gril ou mixte.....	72
4.6 Programme de cuisson au gril ou mixte.....	73
4.7 Convection.....	73
4.7.1 Cuisson par convection (avec la fonction de préchauffage).....	73
4.7.2 Cuisson par convection (sans la fonction de préchauffage).....	74
4.8 Démarrage rapide.....	74

4.9 Décongélation par le poids.....	74
4.10 Décongélation par le temps.....	74
4.11 Minuterie.....	74
4.12 Menu Automatique.....	74
4.12 Cuissons enchaînées.....	76
4.13 Information sur le programme en cours.....	76
4.14 Sécurité enfants.....	77
4.15 Ouverture de la porte du four.....	77

5 Nettoyage et entretien 78

5.1 Nettoyage.....	78
--------------------	----

6 Dépannage 79

Cette section contient les consignes de sécurité qui aident à se prémunir contre les risques d'incendie, d'électrocution, d'exposition aux fuites d'énergie à micro-ondes, de dommages corporels ou de dégâts matériels. Le non-respect de ces consignes annule la garantie.

1.1 Consignes générales de sécurité

- N'essayez pas de mettre le four en marche lorsque la porte est ouverte ; vous seriez exposés à l'énergie des micro-ondes. Évitez de désactiver ou de tripatouiller le verrouillage de sécurité.
- Ne jouez avec aucun des objets entre la face avant et la porte du four. Ne permettez pas l'accumulation de la poussière ou des résidus d'agent nettoyant sur les surfaces de fermeture.
- Toutes les opérations de maintenance impliquant le retrait du couvercle de protection contre l'exposition à l'énergie des micro-ondes doivent être réalisés par des personnes ou des services après-vente agréés.
- Votre appareil est conçu pour la cuisson, le chauffage et la décongélation des aliments à domicile.
- Il ne doit pas être utilisé à des fins commerciales. Le fabricant ne saurait être tenu responsable des dommages découlant d'une utilisation inappropriée.
- N'utilisez pas l'appareil à l'extérieur, dans une salle de bain, dans des environnements humides ou dans des endroits où il peut se mouiller.
- Tout dommage résultant d'une utilisation inappropriée de l'appareil annule la responsabilité du fabricant ou toute réclamation au titre de la garantie.
- N'essayez jamais de démonter l'appareil. Aucune réclamation au titre de la garantie ne sera acceptée pour les dégâts résultant d'une manipulation incorrecte.
- Utilisez uniquement des pièces d'origine ou pièces recommandées par le fabricant.
- Ne laissez pas l'appareil sans surveillance lorsque vous l'utilisez.
- Utilisez toujours l'appareil sur une surface stable, plate, propre, sèche et non glissante.
- Cet appareil ne doit pas être utilisé avec une minuterie extérieure ou un système de télécommande séparé.

Instructions importantes en matière de sécurité et d'environnement

- Avant d'utiliser l'appareil pour la première fois, nettoyez-en toutes les pièces. Reportez-vous aux renseignements fournis dans la rubrique « Nettoyage et entretien ».
- Utilisez l'appareil uniquement aux fins pour lesquelles il a été conçu, conformément aux instructions du présent manuel. N'utilisez pas de produits chimiques abrasifs ou de la vapeur sur l'appareil. Ce four a été particulièrement conçu pour chauffer et cuire les aliments. Il n'est pas destiné à un usage industriel ou en laboratoire.
- N'utilisez pas l'appareil pour sécher les vêtements ou les torchons.
- L'appareil devient très chaud lorsqu'il est utilisé. Évitez de toucher les pièces chaudes à l'intérieur du four.
- Votre four n'est pas destiné au séchage d'un quelconque être vivant.
- Ne mettez pas l'appareil en marche lorsqu'il est vide.
- Les récipients de cuisson peuvent devenir très chauds en raison du transfert de chaleur des aliments chauffés au récipient. Vous aurez besoin des gants de cuisine pour tenir les récipients.
- Vérifiez que les récipients sont appropriés pour une utilisation dans des fours à micro-ondes.
- Ne placez pas le four au-dessus des cuisinières ou de tout autre appareil produisant de la chaleur. Sinon, il pourrait être endommagé et la garantie annulée.
- Ne placez pas le four à micro-ondes dans une armoire non conforme aux instructions d'installation.
- De la vapeur pourrait s'échapper lorsque vous ouvrez les couvercles ou le papier après la cuisson des aliments.
- Portez des gants de cuisine lorsque vous devez sortir des mets chauds du four.
- L'appareil et ses surfaces accessibles peuvent devenir très chauds lorsque l'appareil est en cours d'utilisation.
- La porte et la vitre externe peuvent devenir très chaudes lorsque l'appareil est en cours d'utilisation.

1.2 Sécurité électrique

- Les fours à micro-ondes Beko sont conformes aux normes de sécurité applicables. Par conséquent, en cas de dommage sur l'appareil ou son câble d'alimentation, faites-le réparer ou remplacer par le revendeur, le centre de services, un spécialiste ou des services habilités afin de prévenir tout danger. Des réparations défectueuses et non professionnelles peuvent être sources de danger et de risque pour l'utilisateur.
- Assurez-vous que votre source d'alimentation électrique est conforme aux informations spécifiées sur la plaque signalétique de votre appareil.

Le seul moyen de déconnecter l'appareil de l'alimentation électrique consiste à le débrancher de la prise électrique.

- Utilisez l'appareil uniquement avec une prise de terre.
- N'utilisez jamais l'appareil si le câble d'alimentation ou l'appareil lui-même est endommagé.
- N'utilisez pas de cordon prolongateur avec l'appareil.
- Ne touchez jamais l'appareil ou sa prise avec les mains humides ou mouillées.
- Placez l'appareil de manière à ce que la prise soit toujours accessible.
- Pour éviter d'endommager le câble d'alimentation, évitez de l'aplatir, de le plier ou même de le frotter contre des bords coupants. Éloignez le câble d'alimentation de toute surface brûlante et des flammes.
- Assurez-vous qu'il n'y ait aucun risque de traction accidentelle sur le câble d'alimentation et que personne ne risque de trébucher sur le câble, lorsque l'appareil est en marche.
- Débranchez l'appareil avant chaque nettoyage et lorsque l'appareil n'est pas en cours d'utilisation.
- Ne tirez pas sur le câble d'alimentation de l'appareil pour le débrancher de l'alimentation et n'enroulez jamais le câble d'alimentation tout autour de l'appareil.
- N'immergez pas l'appareil, le câble d'alimentation ou la prise d'alimentation électrique dans de l'eau ou tout autre liquide.

Instructions importantes en matière de sécurité et d'environnement

- Ne maintenez pas l'appareil sous l'eau courante.
- Lorsque vous chauffez les aliments dans des récipients en plastique ou en papier, vérifiez en permanence le four en raison de la possibilité d'inflammation.
- Retirez les fils et poignées métalliques des sacs en papier ou en plastique avant de placer les sacs appropriés pour une utilisation du four à micro-ondes vers le four.
- Mettez l'appareil hors tension ou débranchez-le et gardez la porte fermée pour éviter toute inflammation si vous observez de la fumée.
- Ne conservez rien à l'intérieur du four. Ne laissez pas les papiers, le matériel de cuisine ou les aliments à l'intérieur du four lorsqu'il n'est pas utilisé.
- Remuez et agitez le contenu des biberons et des pots de nourriture pour bébés et vérifiez la température avant la consommation pour éviter des brûlures.
- Cet appareil est un équipement ISM Groupe 2 de Classe B. Le Groupe 2 comprend tous les équipements ISM (Industriel, Scientifique et Médical) dans lesquels l'énergie à radio-fréquences est intentionnellement générée et/ou utilisée sous forme de radiation électromagnétique pour le traitement des matériaux et les équipements d'électroérosion.
- Les équipements de Classe B conviennent aux installations domestiques et aux installations directement raccordées au réseau d'alimentation électrique à basse tension.
- La porte ou la surface externe de l'appareil peuvent devenir très chaudes lorsque l'appareil est utilisé.

1.3 Sécurité du produit

- Évitez de chauffer les liquides et autres aliments dans des récipients fermés, car cela présente des risques d'explosion.
- Le chauffage des boissons au micro-ondes peut entraîner des éclaboussures lorsqu'elles sont sorties du four ; soyez donc prudent lorsque vous tenez les récipients.
- Ne faites pas de rôtisserie dans le four. De l'huile chaude pourrait endommager les composants et matériaux du four, et même entraîner des brûlures de la peau.

Instructions importantes en matière de sécurité et d'environnement

- Percez les aliments à croute épaisse tels que les pommes de terre, les courgettes, les pommes et les châtaignes.
- Placez l'appareil de sorte que le côté arrière soit face au mur.
- Si la porte ou les joints de porte sont endommagés, n'utilisez pas le four jusqu'à ce qu'il ait été réparé par un technicien spécialisé.
- Avant de déplacer l'appareil, sécurisez le plateau tournant pour ne pas l'endommager.
- N'utilisez pas le four à micro-ondes pour la préparation ou le chauffage des œufs non brouillés, avec ou sans coquille.
- Ne retirez jamais les pièces à l'arrière et sur les côtés de l'appareil, qui garantissent les distances minimales entre les parois de l'armoire et l'appareil, de sorte à permettre la circulation appropriée de l'air.
- N'utilisez pas l'appareil comme source de chaleur.
- Le four à micro-ondes est destiné uniquement à la décongélation, à la cuisson et à la préparation des aliments.
- Évitez la cuisson excessive des aliments ; cela peut entraîner un incendie.
- N'utilisez pas de nettoyeurs à vapeur pour le nettoyage de l'appareil.
- Cet appareil peut être utilisé par les enfants âgés de 8 ans ou plus et par les personnes à capacités physiques, sensorielles ou mentales réduites ou qui n'ont pas les connaissances et l'expérience, tant qu'ils sont surveillés dans l'utilisation sécuritaire du produit ou s'ils sont instruits en conséquence ou comprennent les risques de l'utilisation du produit. Les enfants ne doivent pas jouer avec l'appareil.

1.4 Utilisation prévue

- Cet appareil a été conçu uniquement pour une utilisation encastree.
- N'utilisez pas l'appareil pour un autre usage que celui pour lequel il a été prévu.
- Les procédures de nettoyage et d'entretien par l'utilisateur ne doivent pas être exécutées par les enfants à moins qu'ils soient surveillés par les adultes.
- Danger d'étranglement ! Ne laissez pas les éléments d'emballage à proximité des enfants.

Instructions importantes en matière de sécurité et d'environnement

- Ne permettez aux enfants d'utiliser l'appareil sans supervision sauf s'ils ont reçu des instructions appropriées leur permettant d'utiliser le four à micro-ondes de manière sécurisée et de comprendre les risques liés à une utilisation inappropriée.
- En raison des excès de chaleur en mode gril et mixte, les enfants ne doivent être autorisés à utiliser ces modes que s'ils sont supervisés par un adulte.
- Gardez l'appareil et son cordon d'alimentation de sorte qu'ils soient inaccessibles aux enfants âgés de moins de 8 ans.
- L'appareil et ses surfaces accessibles peuvent devenir très chauds lorsque l'appareil est en cours d'utilisation. Tenez-les hors de la portée des enfants.

1.5 Conformité avec la directive DEEE et mise au rebut des produits usagés



Ce produit ne contient pas de substances dangereuses et prohibées, telles que décrites dans la « Directive réglementant les déchets d'équipements électriques et électroniques » émanant du Ministère de l'Environnement et de l'Aménagement urbain. Conforme à la Directive DEEE. Cet appareil a été fabriqué avec des pièces et du matériel de qualité supérieure, susceptibles d'être réutilisés aux fins de recyclage.

Par conséquent, à la fin de sa durée de vie, il ne doit pas être mis au rebut aux côtés de déchets domestiques ordinaires. Au contraire, il doit être éliminé dans un point de collecte réservé au recyclage d'appareils électriques et électroniques. Consultez les autorités locales de votre région pour connaître les points de recyclage. Participez à la protection de l'environnement et des ressources naturelles grâce au recyclage des produits usagés.

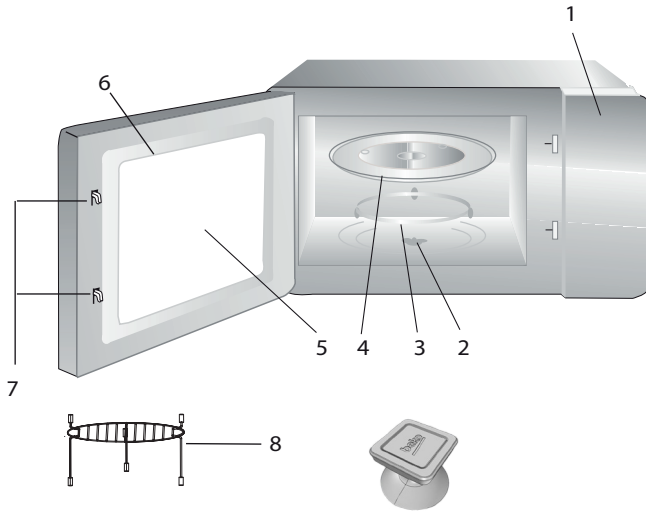
1.6 Information sur l'emballage



L'emballage du produit est composé de matériaux recyclables, conformément à notre réglementation nationale. Ne jetez pas les éléments d'emballage avec les déchets domestiques et autres déchets. Déposez-les dans un des points de collecte d'éléments d'emballage que vous indiquera l'autorité locale dont vous dépendez.

2 Votre four à micro-ondes

2.1 Aperçu



Légende

1. Bandeau de commande
2. Entraîneur du plateau tournant
3. Support du plateau tournant
4. Plateau en verre
5. Vitre du four
6. Cadre de porte
7. Dispositif de verrouillage de la porte
8. Grille (à utiliser uniquement avec la fonction grill et placer sur le plateau en verre)

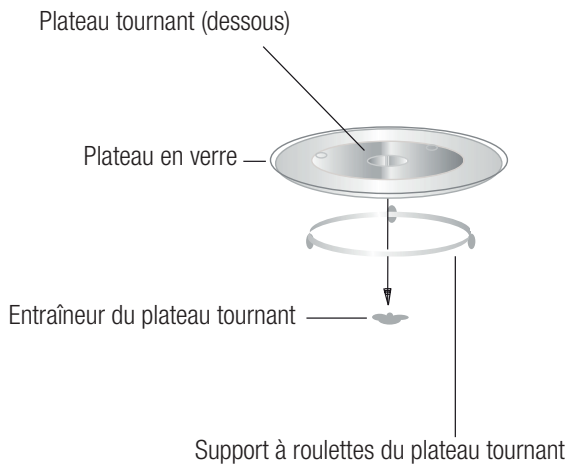
2.2 Données techniques

Norme électrique	230 V~50 Hz, 1450 W (Micro-ondes) 2500 W (Convection) 1100 W (Gril)
Puissance	900 W
Ampérage	11.5 A
Fréquence de fonctionnement	2 450 MHz
Dimensions externes	595 x 470 x 388 mm
Dimensions internes du four	226 x 328 x 346 mm
Capacité du four	25 litres
Poids net	21.0 kg

Les inscriptions sur le produit ou les valeurs indiquées sur la documentation fournie avec le produit sont des valeurs obtenues dans des conditions de laboratoire conformément aux normes en vigueur. Ces valeurs peuvent varier selon l'utilisation de l'appareil et les conditions environnementales. Les valeurs d'alimentation électrique sont testées à 230V.

2 Votre four à micro-ondes

2.3 Installation du plateau tournant



- Ne placez jamais le plateau en verre à l'envers. Il ne doit en aucun cas être bloqué.
- Utilisez toujours le plateau en verre et le support du plateau tournant pendant la préparation.
- Placez toujours les aliments et les récipients sur le plateau en verre pour la cuisson.
- En cas de fissure ou de cassure du plateau en verre ou du support du plateau tournant, contactez votre centre de services autorisé le plus proche.

3 Installation et raccordement

3.1 Installation et raccordement

- Retirez tous les matériaux d'emballage et les accessoires. Examinez tout signe de dommage tels que des creux ou des signes de porte cassée. N'installez pas le four s'il est endommagé.
- Retirez le film de protection sur la surface de la carrosserie du four à micro-ondes.
- Ne retirez pas le couvercle de mica marron clair fixé à la cavité du four pour protéger le magnétron.
- Le présent appareil a été conçu à des fins domestiques uniquement.
- Ce four a été conçu uniquement pour une utilisation encastrée. Il ne doit pas être posé ou utilisé à l'intérieur d'une armoire.
- Veuillez respecter les instructions d'installation.
- L'appareil peut être installé dans une armoire murale de 60 cm de largeur (55 cm de profondeur minimum et 85 cm au-dessus du sol).
- L'appareil est équipé d'une fiche et doit uniquement être branché à une prise de terre correctement installée.
- La tension du secteur doit correspondre aux valeurs spécifiées sur la plaque signalétique.
- Si le câble d'alimentation est endommagé, il doit être remplacé par une personne ou un service après-vente agréé. Si la fiche n'est plus accessible après l'installation, un dispositif coupe-circuit agissant sur tous les pôles doit être disponible sur le site d'installation, avec un espace de contact de 3 mm minimum.
- N'utilisez pas d'adaptateurs, de multiprises ou de rallonges. Toute surcharge expose à des risques d'incendie.

1.



Les surfaces accessibles peuvent être chaudes pendant l'utilisation.



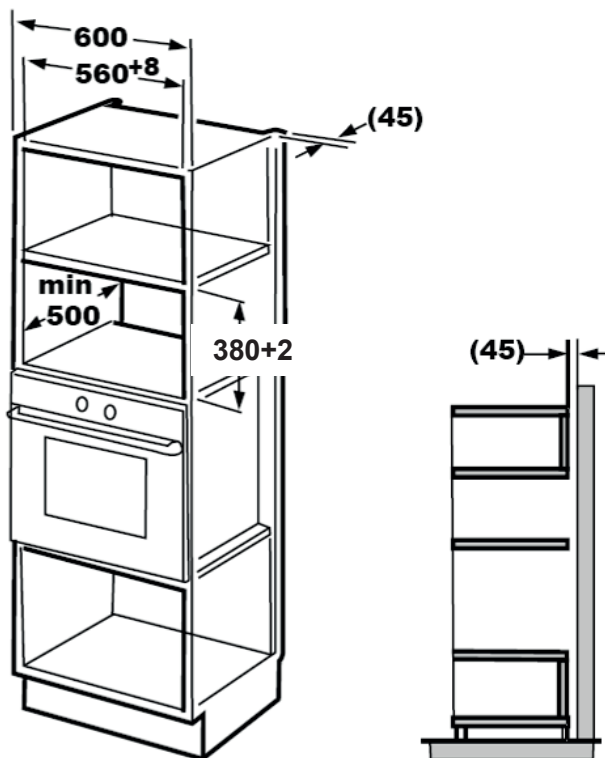
Évitez de coincer ou de plier le cordon d'alimentation.

3 Installation et raccordement

3.2 Installation du micro-ondes

Le four à micro-ondes est livré avec son kit d'encastrement monté en usine afin de simplifier son installation. Vous devez simplement fixer l'ensemble à votre meuble.

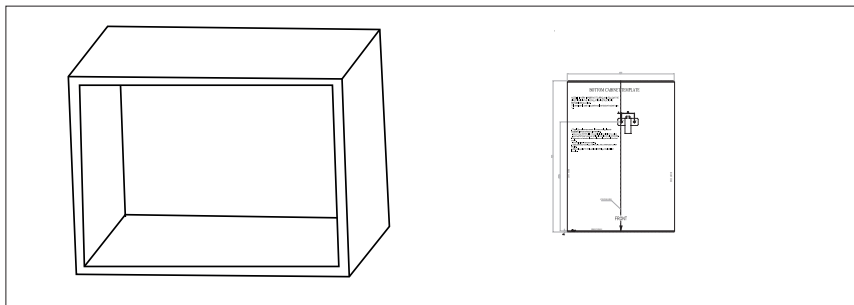
3.2.1 Niche d'encastrement



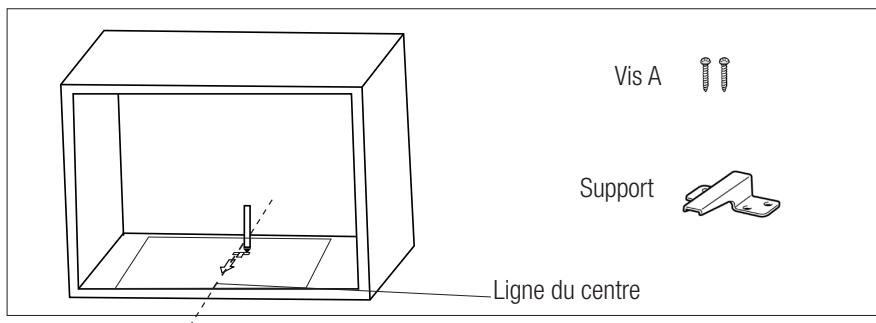
3 Installation et raccordement

3.2.2 Fixation du support d'encastement

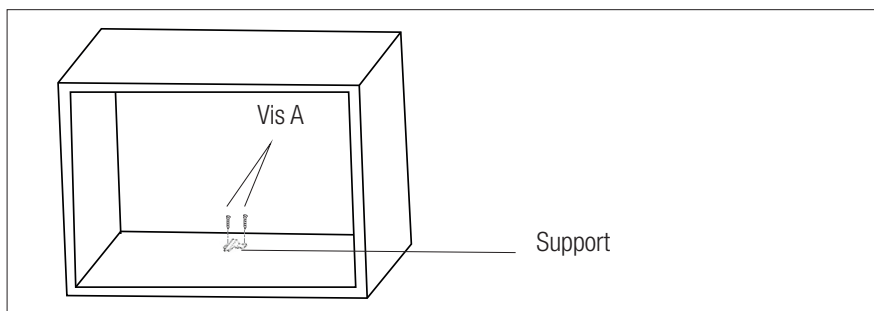
1. Lisez les instructions sur le gabarit inférieur de l'armoire et placez le gabarit sur le plan inférieur de l'armoire.



2. Faites des marques sur le plan inférieur de l'armoire selon les marques « a » sur le gabarit.



3. Retirez le gabarit et fixez le support à l'aide des vis A.

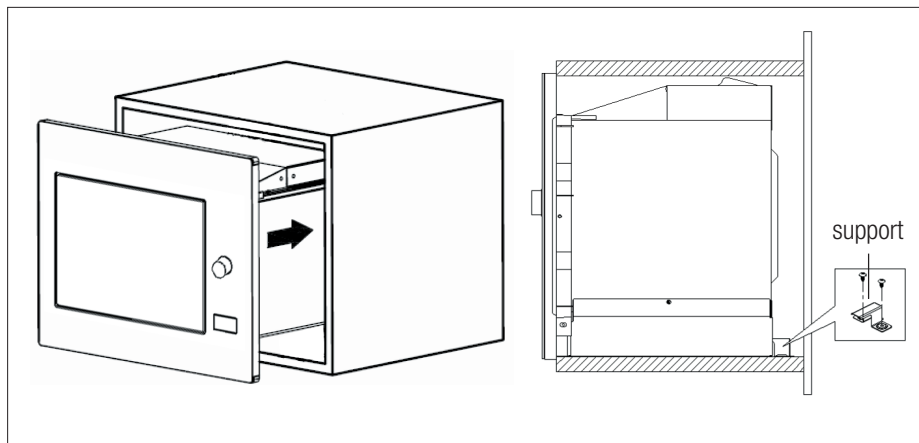


3 Installation et raccordement

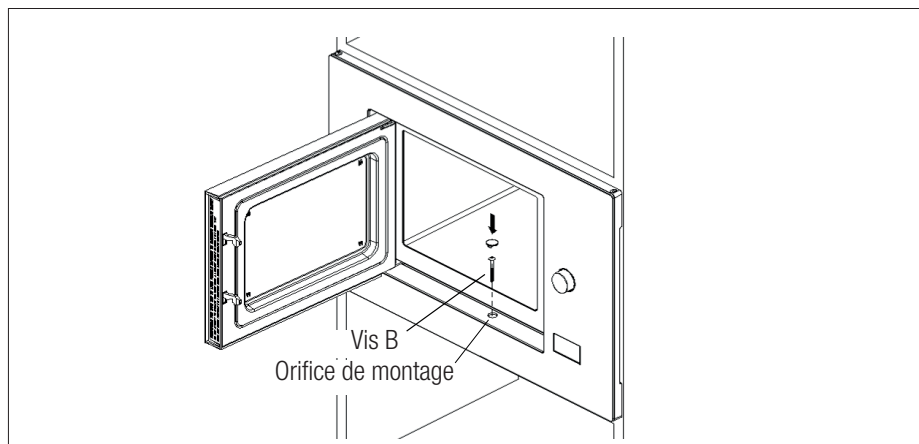
3.2.3 Fixation du four

1. Installez le four dans la niche.

- Assurez-vous que l'arrière du four est bloqué par le support.
- Évitez de coincer ou de plier le cordon d'alimentation.
- Branchez votre four à la prise murale.



2. Ouvrez la porte, fixez le four à l'armoire à l'aide de la vis B à travers l'orifice situé au bas du cadre d'encastrement. Recouvrez la vis avec le cache en plastique fourni.



3 Installation et raccordement

3.3 Principes du fonctionnement au micro-ondes

- Préparez soigneusement vos aliments. Placez les parties restantes à l'extérieur de la boîte.
- Prêtez attention au temps de cuisson. Cuisinez dans le mode de temps le plus court spécifié et ajoutez plus de temps, le cas échéant. Les aliments cuits en excès peuvent produire de la fumée ou brûler.
- Couvrez les aliments pendant la cuisson. Couvrir les aliments prévient toute éclaboussure et permet d'en garantir la cuisson uniforme.
- Retournez les aliments tels que la volaille et les hamburgers lorsque vous les cuisinez dans un four à micro-ondes, afin d'accélérer la cuisson de ce type d'aliment. Tournez au minimum une fois, les aliments plus larges tels que les rôtis.
- Retournez les aliments tels que les boulettes de viande au milieu de la cuisson et remplacez celles du centre par celles de l'extérieur du récipient.

3.4 Raccordement électrique

L'appareil doit être mis à la terre. Ce four possède un câble de mise à la terre avec une fiche de terre. Branchez l'appareil à une prise murale correctement installée et mise à la terre. Le système de mise à la terre permet un fil de fuite électrique en cas de court-circuit et réduit les risques d'électrocution. Nous vous recommandons l'utilisation d'un circuit électrique dédié exclusivement au four. L'utilisation du four à haute tension est dangereuse et peut entraîner un incendie ou d'autres accidents susceptibles d'endommager le four.



AVERTISSEMENT : Toute mauvaise utilisation de la prise de terre peut provoquer un choc électrique.



Si vous avez des questions relatives à la mise à la terre et aux instructions en matière d'électricité, consultez un technicien électrique qualifié ou le personnel de service.



Le fabricant et/ou le revendeur n'assument aucune responsabilité pour les blessures ou les dommages sur le four qui peuvent résulter du non respect des procédures de raccordement électrique.

3.5 Test des ustensiles

Ne faites jamais fonctionner le four à vide. La seule exception concerne le test des ustensiles, décrit dans la section suivante. Certains ustensiles non métalliques peuvent ne pas convenir à une utilisation dans un micro-ondes. En cas de doute sur la convenance de vos ustensiles par rapport au micro-ondes, effectuez le test suivant.

1. Placez l'ustensile vide à tester dans le micro-ondes en même temps qu'un verre utilisable au micro-ondes, rempli avec 250 ml d'eau.
2. Faites fonctionner le four à la puissance maximale pendant 1 minute.
3. Vérifiez soigneusement la température de l'ustensile testé. S'il chauffe, il n'est pas approprié pour une utilisation au four à micro-ondes.
4. Ne dépassez jamais la limite de temps de fonctionnement de 1 minute. Si vous remarquez la formation d'un arc après 1 minute de fonctionnement, arrêtez le micro-ondes. Les ustensiles formant un arc ne sont pas appropriés pour une utilisation au micro-ondes.

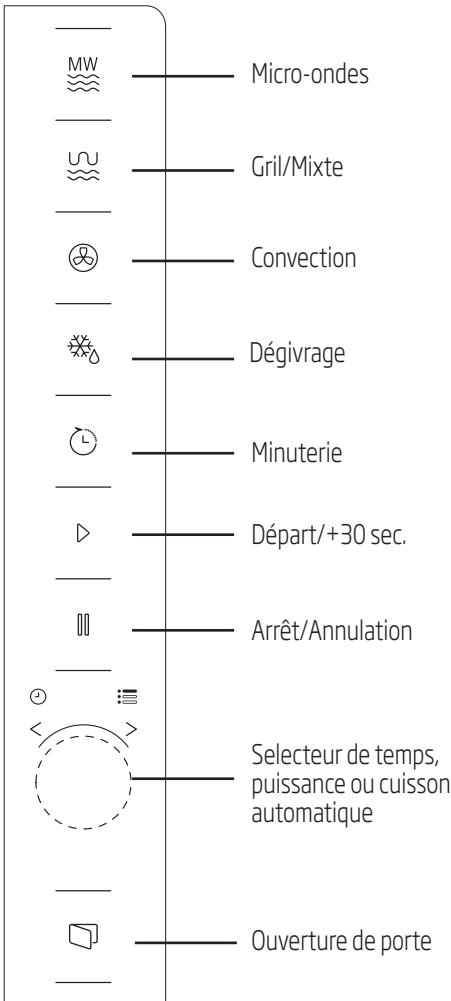
3 Installation et raccordement

La liste suivante est un guide général qui pourrait vous aider à choisir le bon ustensile.

Ustensile de cuisson	Micro-ondes	Gril	Mixte
Verre thermorésistant	Oui	Oui	Oui
Verre non thermorésistant	Non	Non	Non
Céramiques thermorésistantes	Oui	Oui	Oui
Plat en plastique approprié pour le four à micro-ondes	Oui	Non	Non
Ustensiles de cuisine en papier	Oui	Non	Non
Plateau métallique	Non	Oui	Non
Rack métallique	Non	Oui	Non
Papier en aluminium et couvercles en forme de feuille	Non	Oui	Non
Porcelaines	Oui	Oui	Oui






4 Fonctionnement

4.1 Bandeau de commande




4.2 Réglage de l'heure






Lorsque le four à micro-ondes est sous tension, « 0:00 » s'affiche sur l'écran et un signal sonore retentit une fois.

1. Appuyez deux fois sur  et les heures commencent à clignoter.
2. Tournez le bouton  pour régler l'heure ; de 0 à 23 heures.
3. Appuyez sur  et les minutes commencent à clignoter.
4. Tournez le bouton  pour régler les minutes ; de 0 à 59 minutes.
5. Appuyez sur  pour terminer le réglage de l'heure. Le symbole « : » clignote et l'heure s'affiche.



Si vous appuyez sur  (Arrêter/Annuler) pendant le réglage du temps, le four retourne automatiquement au mode précédent.

4.3 Préparation d'une cuisson au micro-ondes

1. Appuyez sur  et « PL10 » s'affiche à l'écran.
2. Appuyez à nouveau sur  ou tournez  pour sélectionner la puissance désirée. À chaque pression de ce bouton, « PL10 », « PL8 », « PL5 », « PL3 » ou « PL1 » s'affichent respectivement.
3. Tournez  pour régler le temps de cuisson de 5 secondes à 95 minutes.
4. Appuyez à nouveau sur  pour démarrer la cuisson.

4 Fonctionnement



Exemple: Si vous souhaitez réchauffer un plat pendant 20 minutes. 20 minutes, voici comment faire:

1. Appuyez une fois sur et « PL10 » s'affiche à l'écran.
2. Appuyez une fois de plus sur pour définir réchauffer votre plat.
3. Tournez pour ajuster le temps de cuisson jusqu'à ce que le four affiche « 20:00 ».
4. Appuyez sur pour démarrer la cuisson.

Les étapes de réglage de l'heure en bouton codes sont les suivantes :

4.4 Programmes de cuisson au micro-ondes

Commande	Écran	Puissance du micro-ondes
1	PL10	100%
2	PL 8	80%
3	PL 5	50%
4	PL 3	30%
5	PL 1	10%

4.5 Préparation d'une cuisson au gril ou mixte

1. Appuyez sur et « G » s'affiche à l'écran. Appuyez de manière répétée sur pour sélectionner la puissance désirée. À chaque pression de ce bouton, « C-1 », « C-2 », « C-3 » ou « C-4 » s'affichent respectivement.

2. Tournez pour régler le temps de cuisson entre 0:05 et 95:00.
3. Appuyez à nouveau sur pour démarrer la cuisson.



Exemple : Si vous souhaitez utiliser le Combi (MWO+Grill) (C-2) pour une cuisson de 10 minutes, vous pouvez utiliser le four en suivant les étapes ci-après.

1. Appuyez une fois sur et « G » s'affiche à l'écran.
2. Appuyez deux fois de plus sur pour sélectionner le mode Réchauffage + grill.
3. Tournez pour régler le temps de cuisson jusqu'à ce que le four affiche « 10:00 ».
4. Appuyez sur pour démarrer la cuisson.

4 Fonctionnement

4.6 Programme de cuisson au gril ou mixte

Programme	Affichage à l'écran	Puissance micro-ondes	Puissance du gril	Convection
1	C-1	•		•
2	C-2	•	•	
3	C-3		•	•
4	C-4	•	•	•








Lorsque la moitié du temps du gril s'est écoulée, le four émet deux signaux sonores. Pour mieux griller, Nous vous conseillons de retourner les aliments, au milieu de la cuisson.

4.7 Convection

4.7.1 Cuisson par convection (avec la fonction de préchauffage)

Cette option vous permet de cuisiner les aliments comme dans un four traditionnel. La fonction micro-ondes n'est pas utilisée. Nous vous recommandons de préchauffer le four à la température appropriée avant d'y placer les aliments.

1. Appuyez une fois sur le bouton  « (Convection) » « 130° C » apparaît à l'écran.
2. Appuyez plusieurs fois sur le bouton  « (Convection) » pour sélectionner la fonction de cuisson par convection. Lorsque la température de convection s'affiche, la fonction de convection est active. Vous pouvez définir une plage de température comprise entre 130 et 220 degrés.

3. Appuyez sur  « (Démarrer/+30 Sec./Confirmer) » pour démarrer le préchauffage. Une fois la température atteinte, un signal sonore retentit, vous rappelant de placer l'aliment dans le four. Puis, la température du préchauffage s'affiche et clignote.
4. Mettez le plat dans le four et fermez la porte.
 Tournez le bouton pour régler le temps de cuisson. (La durée maximale est de 95 minutes.)
5. Appuyez sur le bouton  (Démarrer/+30 Sec./Confirmer) pour démarrer la cuisson.





Il n'est pas possible de régler le temps de cuisson avant que l'appareil atteigne la température de préchauffage.

La porte du four doit dans ce cas être ouverte. Si vous ne réglez pas le temps de cuisson dans les 5 minutes suivantes, le four arrête le préchauffage. Le signal sonore retentit cinq fois et l'appareil passe en état d'attente.


4 Fonctionnement

4.7.2 Cuisson par convection (sans la fonction de préchauffage)

1. Appuyez une fois sur le bouton  « (Convection) »; « 130° C » apparaît à l'écran.


2. Appuyez plusieurs fois sur le bouton  « (Convection) » pour


sélectionner la fonction de cuisson par convection. Lorsque la température de convection s'affiche, la fonction de convection est active. Vous pouvez définir une plage de température comprise entre 130 et 220 degrés.



3. Tournez  le bouton pour régler le temps de cuisson. (La durée maximale est de 95 minutes.)

4. Appuyez sur le bouton  (Démarrer/+30 Sec./Confirmer) pour démarrer la cuisson.

4.8 Démarrage rapide

1. En mode veille, appuyez sur  pour cuire des liquides au micro-ondes. À chaque pression du bouton, le temps de cuisson augmente jusqu'à 95 minutes.

2. Pendant la cuisson en mode micro-ondes, gril, mixte ou décongélation par le temps, le temps de cuisson augmente de 30 secondes à chaque pression du bouton .


3. En mode veille, tournez  dans le sens contraire des aiguilles d'une montre pour cuire des liquides et appuyez sur  pour démarrer la cuisson.



Dans les modes cuisson automatique et décongélation par le poids, l'appui sur la touche  n'augmentera pas le temps de cuisson.

4.9 Décongélation par le poids


1. Appuyez une fois sur « (Dégivrage) » .

2. Tournez  pour sélectionner le poids des aliments de 100 à 2 000 g.

3. Appuyez sur  pour démarrer la décongélation.

4.10 Décongélation par le temps

1. Appuyez deux fois sur .

2. Tournez  pour sélectionner le temps de décongélation. La durée maximale est de 95 minutes.

3. Appuyez sur  pour démarrer le dégel.

4.11 Minuterie

Votre four est équipé d'une minuterie indépendante qui n'est pas reliée aux fonctions du four et peut être utilisé séparément (elle peut être réglée sur 95 minutes au maximum.)

1. Appuyez une fois sur  et 00:00 s'affiche à l'écran.

2. Tournez  pour saisir l'heure exacte.

3. Appuyez sur  pour confirmer le réglage.




4. Lorsque le décompte du temps atteint 00:00, un signal retentit 5 fois. Si l'heure est réglée, l'heure actuelle s'affiche à l'écran.

Appuyez sur  pour arrêter la minuterie à tout moment.

4.12 Menu Automatique

1. Tournez dans le sens horaire pour sélectionner le menu désiré. Les menus vont de « AC01 » à « AC10 ».

4 Fonctionnement

- Appuyez sur  (Démarrer/+30 Sec./ Confirmer) pour confirmer.
- Tournez  pour choisir le poids par défaut selon le tableau du menu.
- Appuyez sur  (Démarrer/+30 Sec./ Confirmer) pour démarrer la cuisson.

Cuissons automatiques	Poids	Affichage à l'écran
AC01 Pizza	200 g	200 g
	300 g	300 g
	400 g	400 g
AC02 Viande	150 g	150 g
	300 g	300 g
	450 g	450 g
	600 g	600 g
AC03 Légumes	150 g	150 g
	350 g	350 g
	500 g	500 g
AC04 Pâtes alimentaires	50 g (avec 450 ml d'eau froide)	50 g
	100 g (avec 800 ml d'eau froide)	100 g
	150 g (avec 1200 ml d'eau froide)	150 g
AC05 Gâteau	475 g	475 g
AC06 Pommes de terre	1 (about 230 g)	1
	2 (about 460 g)	2
	3 (about 690 g)	3
AC07 Poisson	150 g	150 g
	250 g	250 g
	350 g	350 g
	450 g	450 g
	650 g	650 g

4 Fonctionnement







Cuissons automatiques	Poids	Affichage à l'écran
AC08 Beverage	1 cup (about 240 g)	1
	2 cup (about 480 g)	2
	3 cup (about 720 g)	3
AC09 Popcorn	50 g	50
	100 g	100
AC10 Poulet	500 g	500 g
	750 g	750 g
	1000 g	1000 g
	1200 g	1200 g

4.12 Cuissons enchaînées

Il est possible de programmer 2 cuissons enchaînées, si l'une d'elle est une décongélation, elle doit être sélectionnée en premier.





Si vous souhaitez décongeler les aliments pendant 5 minutes, puis les réchauffer pendant 7 minutes, procédez de la manière suivante :



1. Appuyez deux fois sur .
2. Tournez  pour sélectionner le temps de dégel jusqu'à ce que « 5:00 » s'affiche à l'écran.
3. Appuyez une fois sur  et « PL10 » s'affiche à l'écran.
4. Appuyez une fois de plus sur  pour sélectionner la fonction réchauffage.
5. Tournez  pour ajuster le temps de cuisson jusqu'à ce que le four affiche « 07:00 ».
6. Appuyez sur  pour démarrer la cuisson. Un signal sonore retentit une fois pour la première phase et le décompte du temps de décongélation démarre.

Le signal retentit à nouveau pour indiquer l'entrée dans la deuxième phase de cuisson. Le signal retentit 5 fois à la fin de la cuisson.


4.13 Information sur le programme en cours

1. Lors d'une cuisson, appuyez sur  ou (gril/mixte) pour afficher pendant 3 secondes la fonction de cuisson sélectionnée. Après 3 secondes, l'afficheur retourne au mode précédent.
2. Pendant la préparation, appuyez sur  et l'heure actuelle s'affiche pendant 3 secondes.

4.14 Sécurité enfants

1. **Verrouillage :** En mode Veille, appuyez sur  pendant 3 secondes et un signal sonore retentit ensuite pour indiquer que la sécurité enfants est activée. 0:00 s'affiche à l'écran.
2. **Déverrouillage :** Pour désactiver la sécurité enfants, appuyez sur  pendant 3 secondes et un long signal sonore retentit pour indiquer que la sécurité est désactivée.

4.15 Ouverture de la porte du four

Appuyez sur  pour ouvrir la porte du four micro-ondes.

5.1 Nettoyage

**AVERTISSEMENT :**

N'utilisez jamais d'essence, de solvants ou de nettoyants abrasifs, d'objets métalliques ou de brosses dures pour nettoyer l'appareil.

**AVERTISSEMENT :**

Ne trempez jamais l'appareil ou son cordon d'alimentation dans de l'eau ou dans tout autre liquide.

1. Éteignez l'appareil et débranchez le câble d'alimentation de la prise murale.
2. Patientez jusqu'au refroidissement complet de l'appareil.
3. Maintenez l'intérieur du four propre. Essuyez à l'aide d'un tissu humide en cas d'éclaboussures d'aliments ou de déversements de liquides sur les parois du four. Utilisez un détergent doux lorsque le four est très sale. Évitez d'utiliser des pulvérisateurs et autres agents nettoyants agressifs, car ils peuvent causer des taches, des marques, et l'opacité de la surface de la porte.
4. Nettoyez les surfaces externes du four à l'aide d'un tissu humide. Évitez toute pénétration d'eau à partir des orifices d'aération, pour prévenir tout dommage des pièces fonctionnelles du four.
5. Essuyez fréquemment les deux côtés de la porte et de la vitre, les joints de porte et les pièces à proximité des joints à l'aide d'un tissu humide, de sorte à nettoyer les taches de débordement et d'éclaboussures. Évitez d'utiliser des agents nettoyants abrasifs.
6. Évitez de mouiller le bandeau de commande. Nettoyez avec un chiffon humide et doux. Laissez la porte du four ouverte, pour éviter toute mise en marche inattendue lors du nettoyage du bandeau de commande.
7. En cas d'accumulation de vapeur à l'intérieur ou autour de la porte du four, nettoyez à l'aide d'un tissu doux. Cela se produit lorsque le four à micro-ondes fonctionne dans des conditions d'extrême humidité. C'est normal.
8. Dans certains cas, vous devrez retirer le plateau en verre pour le nettoyer. Lavez le plateau dans de l'eau savonneuse tiède ou au lave-vaisselle.
9. Nettoyez régulièrement le support à roulettes du plateau tournant et le bas du four pour éviter des bruits excessifs. Il suffit de nettoyer la surface inférieure du four à l'aide d'un détergent doux. l'entraîneur du plateau tournant dans de l'eau savonneuse tiède ou au lave-vaisselle. Lorsque vous retirez assurez-vous de le replacer correctement.
10. Afin d'éliminer les mauvaises odeurs dans votre four, placez-y un verre d'eau, du jus et des zestes d'un citron dans un bol profond utilisable dans un micro-ondes et faites fonctionner le four pendant 5 minutes au mode Micro-ondes. Nettoyez soigneusement et séchez ensuite en vous servant d'un chiffon doux.
11. Veuillez contacter le service agréé lorsque vous devez remplacer l'ampoule du four.
12. Nettoyez régulièrement le four et retirez tous les dépôts d'aliments. Dans le cas contraire, des défections de la surface pourraient survenir, affectant la durée de vie de l'appareil et vous exposant à des risques.
13. Évitez de mettre l'appareil au rebut avec les ordures ménagères ; éliminez les fours usagés dans les centres pour déchets spéciaux, qui sont mis à disposition par les communes.
14. Lorsque vous utilisez la fonction Gril du four à micro-ondes, une petite quantité de fumée et de vapeur s'échappe et se dissipe après un certain temps de fonctionnement.

6 Dépannage

Problème	Raison éventuelle	Solution
Le four ne démarre pas.	(1) Le cordon d'alimentation n'est pas correctement enfiché.	Débranchez. Branchez ensuite après 10 secondes.
	(2) Fusible grillé ou disjoncteur activé.	Remplacez le fusible ou le disjoncteur (réparé par un professionnel de notre entreprise).
	(3) Problème avec la sortie.	Testez la sortie avec d'autres appareils électriques.
Le four ne chauffe pas.	(4) La porte n'est pas correctement fermée.	Fermez correctement la porte.
Le plateau tournant en verre fait du bruit lorsque le four est en marche	(5) Le plateau tournant et le bas du four sont sales.	Reportez-vous à la section « Nettoyage et Entretien » pour le nettoyage des pièces sales.
Le four affiche l'erreur E-3 et ne fonctionne pas (pour le modèle MGB 25333 BG)	(6) La porte du four ne s'ouvre pas (en raison d'une obstruction devant la porte, d'une baisse de tension, etc.)	Débranchez. Branchez ensuite après 10 secondes.




¡Lea este manual antes de utilizar el aparato!

Estimado cliente:

Gracias por elegir un producto Beko. Esperamos que obtenga los mejores resultados de nuestro producto ya que ha sido fabricado con gran calidad y con tecnología de última generación. Por tanto, le aconsejamos que lea con atención este manual del usuario y todos los demás documentos adjuntos antes de utilizar el producto y que lo guarde para futuras consultas. Si va a entregar este producto a otra persona, proporciónese el manual del usuario también. Siga todas las advertencias e instrucciones incluidas en este manual.

Significado de los símbolos

Los siguientes símbolos se usan en las diversas secciones del presente manual:

	Información importante y consejos útiles sobre el uso.
	Advertencias de situaciones peligrosas sobre la seguridad de las personas y la propiedad.
	Advertencia para las superficies calientes.



Este producto se ha fabricado en plantas de fabricación modernas y que hacen uso de procesos respetuosos con el medio ambiente.

Este aparato es conforme a la normativa sobre aparatos eléctricos y electrónicos y la gestión de sus residuos (RAEE).



No contiene PCB.

ÍNDICE

1 Instrucciones importantes para la seguridad y el medio ambiente 82

1.1 Seguridad general.....	82
1.1.1 Seguridad eléctrica.....	83
1.1.2 Seguridad del producto.....	85
1.2 Uso previsto.....	86
1.3 Seguridad infantil.....	86
1.4 Cumplimiento de la Directiva RAEE y eliminación de residuos.....	87
1.5 Información de embalaje.....	87

2 Su horno microondas 88

2.1 Información general.....	88
2.1.1. Controles y piezas.....	88
2.1.2. Datos técnicos.....	88
2.1.3 Instalación del plato giratorio.....	89

3 Instalación y conexión 90

3.1 Instalación y conexión.....	90
3.2 Instalación integrada.....	91
3.2.1 Dimensiones de los muebles para la instalación integrada.....	91
3.2.2 Preparación del armario.....	92
3.2.3 Fijación del horno.....	93
3.3 Interferencias de radio.....	94
3.4 Principios de la cocina con microondas.....	94
3.5 Instrucciones de conexión con toma a tierra.....	94
3.6 Prueba de los utensilios.....	95

4 Funcionamiento 96

4.1 Panel de control.....	96
4.2 Instrucciones de funcionamiento.....	96
4.2.1 Ajuste del tiempo.....	96
4.2.2 Cocinar con el horno microondas.....	96
4.2.3 Instrucciones del teclado del microondas.....	97
4.3 Cocina con grill o en modo combinado.....	97
4.3.1 (Grill/Combinado) Instrucciones del teclado.....	98
4.4 Convección.....	98

4.4.1 Cocinado por convección (con función de precalentamiento).....	98
4.4.2 Cocción por convección (sin la función de precalentamiento).....	98
4.5 Inicio rápido.....	99
4.6 Descongelación por peso.....	99
4.7 Descongelación por tiempo.....	99
4.8 Temporizador de cocina (contador).....	99
4.9 Menú automático.....	100
4.9.1 Menú de cocción automática.....	100
4.10 Cocción gradual.....	102
4.11 Función de consulta.....	102
4.12 Bloqueo para niños.....	102
4.13 Apertura de la puerta del horno.....	102

5 Limpieza y mantenimiento 103

5.1 Limpieza.....	103
5.2 Almacenamiento.....	104

6 Resolución de problemas 105

Esta sección contiene instrucciones de seguridad que ayudarán a la protección contra los riesgos de incendio, descarga eléctrica, exposición a la energía de microondas, lesiones personales o daño a la propiedad. El incumplimiento de estas instrucciones puede causar la anulación de las garantías otorgadas.

1.1 Seguridad general

- No intente iniciar el horno con la puerta abierta; de lo contrario, podrá exponerse a la energía de microondas que puede ser dañina. Los bloqueos de seguridad no se deben desactivar ni manipular.
- No coloque ningún objeto entre la parte frontal y la puerta del horno. No deje que se acumule suciedad o restos de productos de limpieza en las superficies de cierre.
- Cualquier trabajo de servicio técnico que incluya la retirada de la tapa que brinda protección contra la exposición a la energía de microondas debe ser realizada por personas o servicio técnico autorizados. Si se realiza de otro modo, resultará peligroso.
- Su producto está destinado a cocinar, calentar y descongelar alimentos en un ámbito doméstico.

No debe utilizarse para fines comerciales. El fabricante no se responsabilizará por los daños que puedan surgir por mal uso.

- No utilice este electrodoméstico al aire libre, en baños, ambientes húmedos o en lugares donde pueda mojarse.
- No se asumirá ninguna reclamación de garantía o responsabilidad por daños causados por mal uso o manipulación inadecuada del aparato.
- Nunca trate de desmontar el aparato. No se admitirá reclamación de garantía alguna por daños causados por un manejo inadecuado.
- Utilice únicamente accesorios originales o bien los que recomiende el fabricante.
- No deje este aparato desatendido mientras esté enchufado.
- Utilice el aparato sobre una superficie estable, plana, limpia y no deslizante.
- Este aparato no debe utilizarse con ningún temporizador externo o sistema de control remoto independiente.
- Antes de utilizar el aparato por primera vez, limpie todas sus piezas.

- Consulte los detalles en la sección "Limpieza y mantenimiento".
- Utilice este aparato únicamente para su uso previsto, tal como se describe en este manual. No utilice productos químicos abrasivos o vapor en este aparato. Este horno está destinado particularmente a calentar y cocinar alimentos. No debe destinarse al uso industrial o en laboratorios.
 - No utilice este electrodoméstico para secar la ropa o los paños de cocina.
 - El aparato alcanza temperaturas muy elevadas cuando está en uso. Tenga cuidado de no tocar las partes calientes dentro del horno.
 - Este horno no está diseñado para secar ningún ser vivo.
 - No lo ponga en funcionamiento cuando esté vacío.
 - Los utensilios de cocina pueden calentarse por efecto de la transferencia de calor de los alimentos al utensilio. Puede ser necesario que use guantes para sostener el utensilio.
 - Los utensilios se deberán verificar para asegurarse de que sean aptos para su uso en hornos microondas.
 - No coloque el horno sobre fogones u otros aparatos generadores de calor. De lo contrario, se puede dañar y la garantía se anulará.
 - El horno microondas no se debe ubicar en un armario que no cumpla con las instrucciones de instalación.
 - El vapor puede salir al abrir las tapas o el papel de cobertura tras la cocción del alimento.
 - Utilice guantes al retirar cualquier tipo de alimento calentado.
 - Es posible que el aparato y las superficies accesibles estén muy calientes durante el funcionamiento.
 - Es posible que la puerta y el vidrio exteriores estén muy calientes mientras el aparato esté en funcionamiento.

1.1.1 Seguridad eléctrica

- El horno microondas Beko cumple con todas las normas de seguridad aplicables; por ello, si el cable o el aparato presentan daños, deberán ser reparados o sustituidos por el distribuidor, un servicio técnico o una persona cualificada y autorizada para evitar cualquier peligro.

Instrucciones importantes para la seguridad y el medio ambiente

Los trabajos de reparación deficientes o realizados por personal no cualificado puede ser peligrosos y entrañar riesgos para el usuario.

- Asegúrese de que la fuente de alimentación cumpla con la información que se indica en la placa de datos del aparato.

La única forma de desconectar el aparato de la corriente eléctrica es desenchufarlo de la toma de pared.

- Use el aparato únicamente con un enchufe con toma a tierra.
- Nunca utilice el aparato si está dañado el cable de alimentación o el mismo aparato.
- No utilice este aparato con un cable alargador.
- Nunca toque el aparato o su enchufe con las manos húmedas o mojadas.
- Coloque siempre el aparato de forma que el enchufe quede a mano.
- Evite daños al cable procurando que no sufra tirones, no se doble y no roce con bordes afilados para evitar dañarlo. Mantenga el cable de corriente alejado de superficies calientes y llamas abiertas.

- Asegúrese de que no exista peligro de que pueda tirarse accidentalmente del cable de corriente o de que alguien tropiece con él mientras el aparato esté en uso.
- Desenchufe el aparato antes de cada limpieza y cuando no esté en uso.
- No tire del cable de alimentación del aparato para desconectarlo de la red ni enrolle el cable alrededor del mismo.
- No sumerja el aparato, el cable eléctrico o el enchufe en agua ni en ningún otro líquido. Tampoco ponga dichos elementos bajo un chorro de agua.
- Vigile el horno cuando caliente alimentos en recipientes de plástico o papel, y controle el horno frecuentemente, ya que existe la posibilidad de que estos materiales se incendien.
- Retire los alambres y/o asas metálicas de las bolsas de papel o de plástico antes de colocar estas bolsas aptas para su uso en microondas dentro del horno.
- Apague el aparato o desenchúfelo y mantenga la puerta cerrada para evitar un incendio si observa humo.

- No utilice el interior del horno para almacenamiento. No deje objetos de papel, utensilios de cocción o alimentos dentro del horno cuando se esté utilizando.
 - Agite o remueva los contenidos de los biberones y de los tarritos de comida para bebés y compruebe su temperatura antes de su consumo con el fin de evitar quemaduras.
 - Este producto es un equipo de Grupo 2 Clase B ISM. El Grupo 2 engloba todos los equipos ISM (industriales, científicos y médicos) en los que la energía de radiofrecuencia se genera intencionadamente y/o se usa en forma de radiación electromagnética para el tratamiento de materiales, así como los equipos de electroerosión.
 - Los equipos de la Clase B están diseñados para el uso en hogares o establecimientos directamente conectados a una red de alimentación de bajo voltaje.
 - La puerta o la superficie exterior del aparato pueden calentarse cuando estén en uso.
- ## 1.1.2 Seguridad del producto
- No caliente líquidos u otros alimentos en recipientes cerrados, ya que existe riesgo de explosión.
 - Calentar bebidas con microondas puede hacer que hiervan y salpiquen alrededor una vez que se hayan retirado del horno; por lo tanto, tenga cuidado al sostener los recipientes.
 - No use el horno para freír alimentos. El aceite caliente puede dañar los componentes y materiales del horno, y puede incluso causar quemaduras en la piel.
 - Pele los alimentos de piel dura, como patatas, calabacines, manzanas y castañas.
 - El aparato debe estar ubicado de manera tal que la parte trasera esté mirando hacia la pared.
 - Si la puerta o sus juntas han sufrido daños, no utilice el horno hasta que no haya sido reparado por un técnico competente.
 - Antes de mover el aparato, asegure el plato giratorio para evitar daños al mismo.

- No utilice su horno microondas para cocinar o calentar huevos que no sean revueltos, con o sin cáscara.
- Nunca quite las piezas en la parte trasera y en los laterales del aparato, ya que protegen las distancias mínimas entre las paredes del armario y el electrodoméstico para permitir la circulación de aire necesaria.

1.2 Uso previsto

- Este horno microondas se ha diseñado únicamente para su uso integrado.
- No utilice el aparato para otros fines distintos de su uso previsto.
- No lo utilice como una fuente de calor.
- El horno microondas está diseñado únicamente para descongelar, cocinar y guisar alimentos.
- No cocine excesivamente los alimentos, de lo contrario, podría causar un incendio.
- No utilice limpiadores a vapor para limpiar el aparato.

1.3 Seguridad infantil

- Se recomienda la máxima precaución cuando se esté utilizando cerca de niños o personas con discapacidades físicas, sensoriales o mentales.
- Los niños de ocho o más años y las personas con las capacidades físicas, sensoriales o mentales limitadas o que no tengan los conocimientos y la experiencia necesarios pueden usar este aparato siempre y cuando lo hagan bajo supervisión o bien comprendan las instrucciones de uso seguro del aparato y sus riesgos potenciales. No deje que los niños jueguen con el aparato. Las tareas de limpieza y mantenimiento no deben dejarse en manos de niños a menos que sean supervisados por un adulto.
- ¡Peligro de descarga eléctrica! Mantenga todos los materiales de embalaje alejados de los niños.
- No deje que los niños empleen el horno microondas sin supervisión, a no ser que hayan recibido instrucciones adecuadas sobre su utilización segura y comprendan los riesgos de un uso inadecuado.

Instrucciones importantes para la seguridad y el medio ambiente

- Debido al calor excesivo que emana en los modos grill y combinado, los niños solo podrán estar autorizados a utilizar estos modos bajo la supervisión de un adulto.
- Mantenga el producto y su cable de alimentación inaccesibles a los niños menores de 8 años.
- Es posible que el aparato y las superficies accesibles estén muy calientes durante el funcionamiento. Mantenga a los niños alejados.

1.4 Cumplimiento de la Directiva RAEE y eliminación de residuos.



Este producto no incluye los materiales nocivos y prohibidos especificados en la normativa para la supervisión de los residuos de aparatos eléctricos y electrónicos de desecho (RAEE), promulgada por el Ministerio de Medio Ambiente y Planificación Urbanística. Cumple con la Directiva RAEE. En la fabricación de este producto se han empleado piezas y materiales de alta calidad, que pueden reutilizarse y reciclarse.

Por lo tanto, no arroje este producto a la basura junto con sus residuos domésticos normales al final de su vida útil. Llévelo a un punto de recogida para el reciclado de sus componentes eléctricos y electrónicos. Diríjase a la autoridad local de su zona para obtener la dirección de dichos puntos de recogida. Ayude a proteger el medio ambiente reciclando los productos usados.

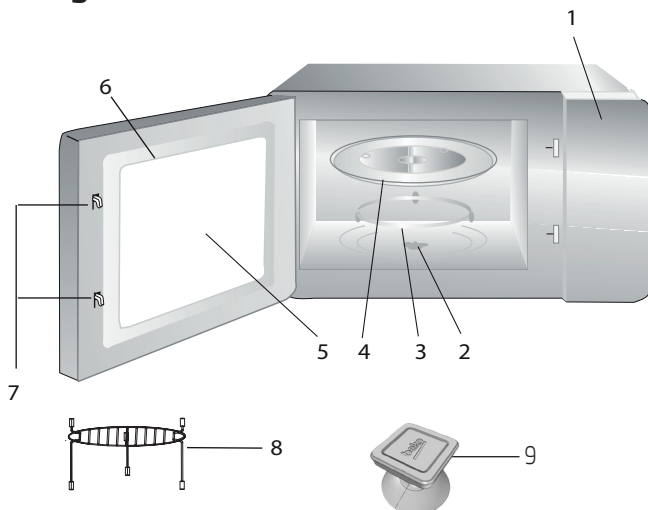
1.5 Información de embalaje



El embalaje del producto está fabricado con material reciclable de acuerdo con las normativas nacionales sobre medio ambiente. No se deshaga del material de embalaje ni de los desechos domésticos o de otro tipo. Llévelos a los puntos de recogida de material de embalaje designados por las autoridades locales.

2 Su horno microondas

2.1 Información general



2.1.1. Controles y piezas

1. Panel de control
2. Eje del plato giratorio
3. Soporte del plato giratorio
4. Bandeja de cristal
5. Ventana del horno
6. Grupo de puerta
7. Sistema de bloqueo de seguridad para la puerta
8. Rejilla del grill (se utilizará únicamente en la función grill y se ubicará sobre la bandeja de cristal)
9. Elevador por vacío para la apertura manual de la puerta.

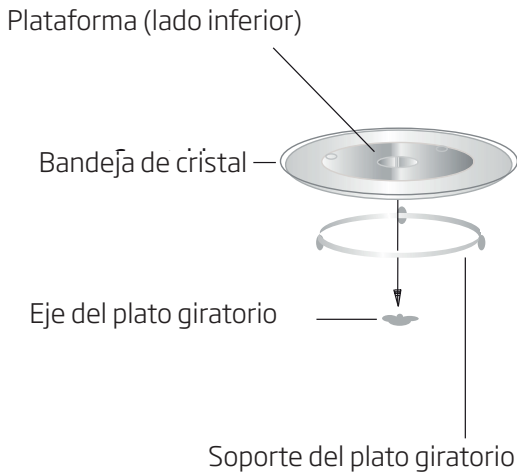
2.1.2. Datos técnicos

Consumo de energía	230 V~50 Hz, 1450 W (Microondas) 2500 W (Convección) 1100 W (Grill)
Salida	900 W
Frecuencia de funcionamiento:	2450 MHz
Cantidad de amperios	11.5 A
Dimensiones exteriores	595 x 470 x 388 mm (profundidad)
Dimensiones interiores del horno	226 x 328 x 346 mm (profundidad)
Capacidad del horno:	25 litros
Peso neto	21.0 kg

Las evaluaciones del producto o los valores indicados en los demás documentos adjuntos son valores que se han obtenido en condiciones de laboratorio de acuerdo con las normas pertinentes. Estos valores pueden variar según el uso que se haga del aparato y de las condiciones ambientales. Los valores de potencia fueron testeados a 230V.

2 Su horno microondas

2.1.3 Instalación del plato giratorio



- Nunca coloque la bandeja de cristal con la cara hacia abajo. La bandeja de cristal nunca se debe bloquear.
- Tanto la bandeja de cristal como el soporte del plato giratorio deben usarse siempre durante la cocción.
- Los alimentos y los recipientes de alimentos deben siempre colocarse sobre la bandeja de cristal para su cocción.
- Si la bandeja de cristal o el plato giratorio se quebraran o rompieran, contacte al centro de servicio autorizado más cercano.

3 Instalación y conexión

3.1 Instalación y conexión

- Quite todo el material de embalaje y accesorios. Examine el horno por eventuales daños como abolladuras o rotura de puerta. No instalar si el horno está dañado.
- Quite la película protectora que se encuentra en la superficie de la carcasa del horno.
- No quite la cubierta de Mica marrón claro que está adosa a la cavidad del horno para proteger los magnetrones.
- Este aparato ha sido diseñado únicamente para uso doméstico.
- Este horno microondas se ha diseñado únicamente para su uso integrado. No está diseñado para usarlo sobre la encimera o dentro de un armario.
- Observe las instrucciones especiales de instalación.
- Este aparato puede ser instalado en un armario empotrado de 60 cm de ancho (con una profundidad mínima de 55 cm y a 85 cm del piso).
- Este aparato está equipado con un enchufe y debe ser únicamente conectado a un tomacorriente con una correcta toma a tierra.
- La tensión de la red eléctrica debe corresponder a la indicada en la placa de datos.
- Únicamente el personal del servicio técnico autorizado deberán instalar el enchufe y sustituir el cable de conexión. Si el enchufe no resultara más accesible tras la instalación, deberá haber un interruptor en el lado de la instalación con una distancia de contacto de al menos 3 mm.
- No se deben utilizar adaptadores, enchufes múltiples y cables alargadores. Una sobrecarga puede ocasionar un incendio.

1.



La superficie accesible puede estar caliente durante el funcionamiento.

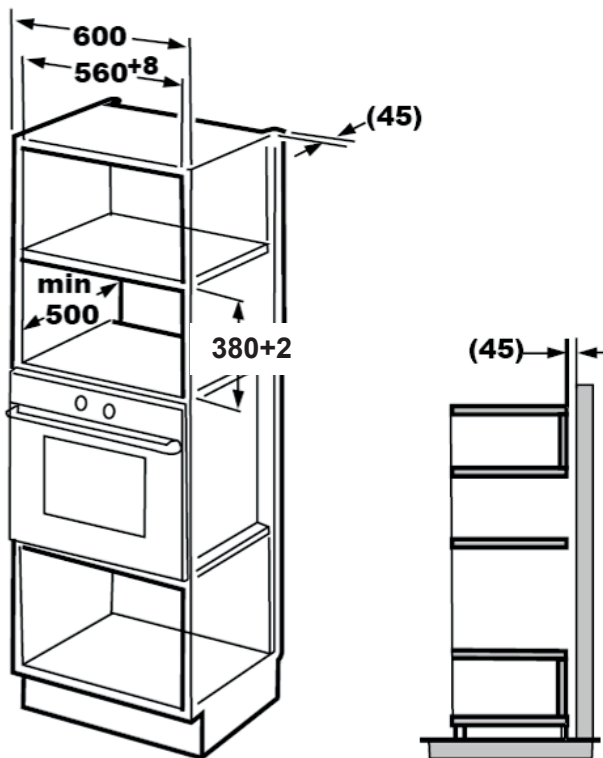


No estrangule ni doble el cable de corriente.

3 Instalación y conexión

3.2 Instalación integrada

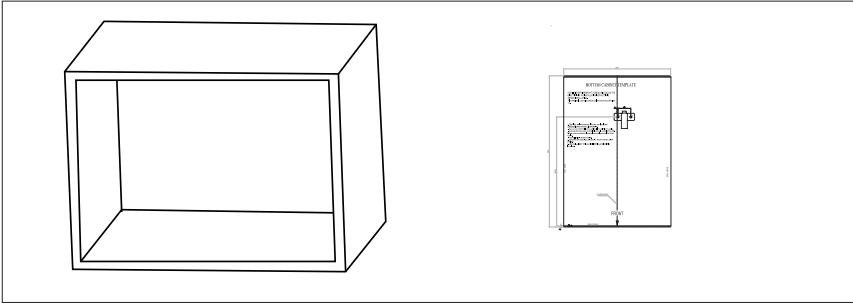
3.2.1 Dimensiones de los muebles para la instalación integrada



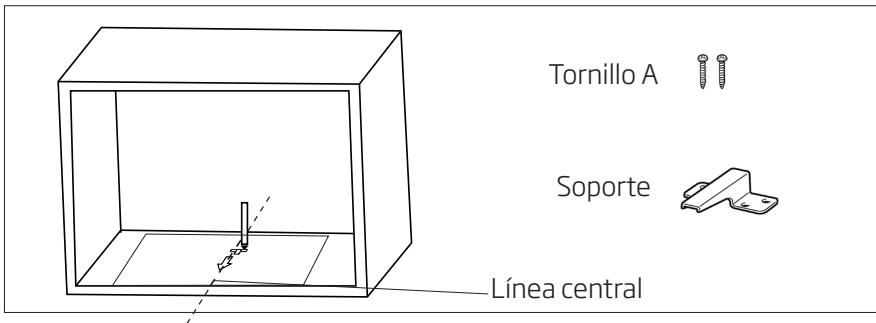
3 Instalación y conexión

3.2.2 Preparación del armario

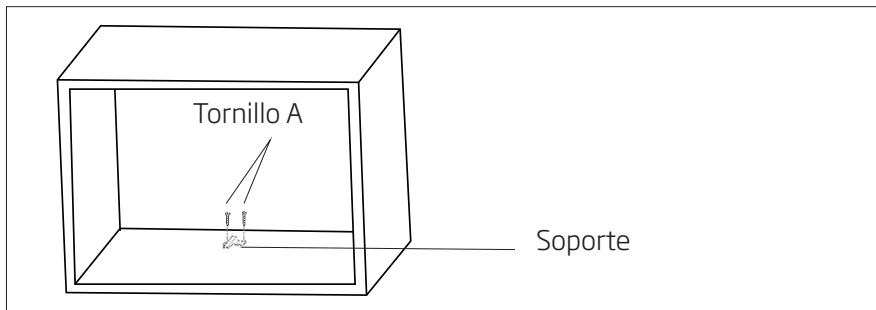
1. Lea las instrucciones en la plantilla para la parte inferior del armario y coloque la plantilla en el plano inferior del armario.



2. Realice las marcas en el plano inferior del armario según las marcas "a" de la plantilla.



3. Saque la plantilla de la parte inferior del armario y fije el soporte con el tornillo A.

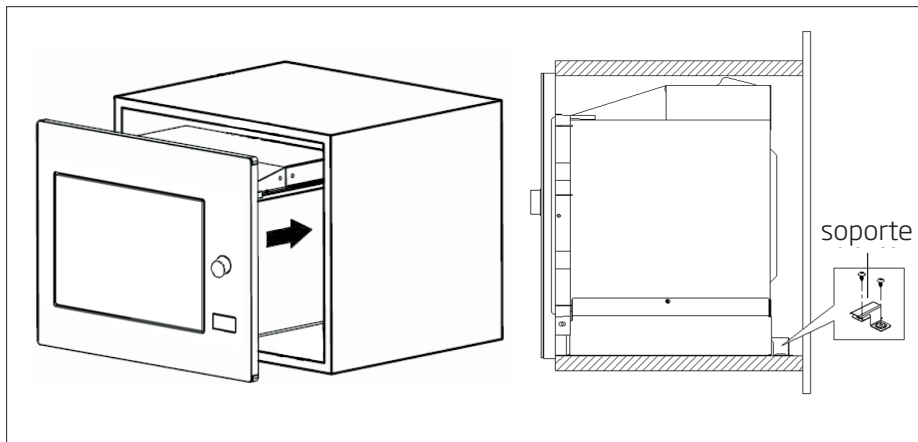


3 Instalación y conexión

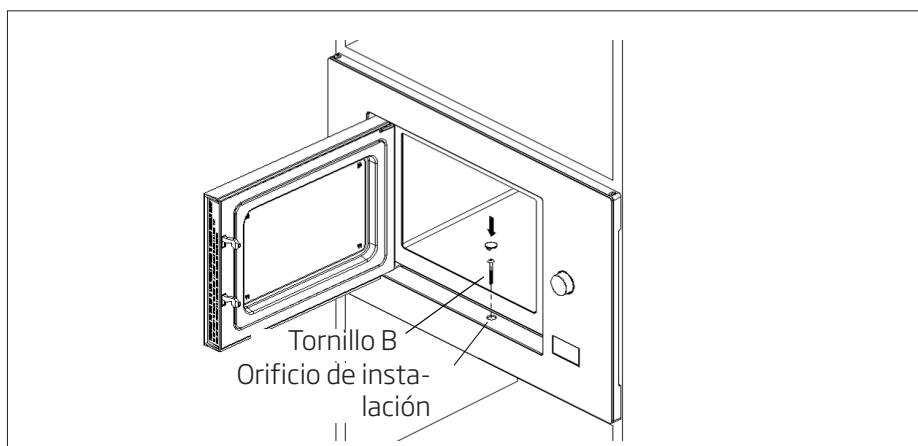
3.2.3 Fijación del horno

1. Instale el horno dentro del armario.

- Asegúrese de que la parte trasera del horno esté bloqueada por el soporte.
- No estrangule ni doble el cable de corriente.



2. Abra la puerta, fije el horno en el armario con el tornillo B a través del orificio de instalación. Luego, coloque la tapa plástica para cubrir el orificio de instalación.



3 Instalación y conexión

3.3 Interferencias de radio



El funcionamiento del horno microondas puede causar interferencias con radios, televisores y electrodomésticos similares.

- Coloque el horno lo más lejos posible de radios y televisores. El horno microondas puede causar interferencias en su radio o televisor. 2. Enchufe el horno en un tomacorriente doméstico estándar. Asegúrese de que el voltaje y la frecuencia sean las mismas que el voltaje y la frecuencia que figuran en la placa de datos.
- En caso de interferencias, puede reducirlas o eliminarlas tomando las siguientes medidas detalladas abajo:
- Limpie la puerta y la superficie de las juntas del horno.
- Cambie la posición de las antenas de la radio o el televisor nuevamente.
- Cambie la posición del horno en función de la ubicación del receptor.
- Coloque el horno microondas lejos del receptor.
- Enchufe el horno microondas en otro tomacorriente, de modo tal que el horno y el receptor estén en líneas diferentes.

3.4 Principios de la cocina con microondas

- Prepare los alimentos con cuidado. Vuelva a colocar las partes que no entren en el plato.
- Preste atención al tiempo de cocción. Cocine en el período de tiempo más breve especificado y agregue más tiempo si fuera necesario. La comida cocinada en exceso puede provocar humo o se puede quemar.
- Cubra los alimentos durante su cocción. Cubrir los alimentos evita salpicaduras y ayuda a garantizar que la comida se cocinará de manera pareja.

- Gire los alimentos como carne de ave y hamburguesas cuando los cocine en un horno microondas, para acelerar la cocción de este tipo de alimentos. A los platos más voluminosos, como el asado, hay que girarlos por lo menos una vez.
- Durante la cocción, remueva los alimentos como las albóndigas de la parte superior a la inferior y del centro al exterior del plato.

3.5 Instrucciones de conexión con toma a tierra.

Este aparato debe conectarse a una toma de tierra. Este horno tiene un cable para toma a tierra con un enchufe con toma a tierra. El aparato debe estar enchufado a un tomacorriente de pared con una adecuada instalación de toma a tierra. El sistema de toma a tierra permite una vía de fuga para la corriente eléctrica en caso de cortocircuito y reduce el riesgo de descarga eléctrica. Recomendamos la utilización de un circuito eléctrico exclusivo para el horno. El uso con alta tensión es peligroso y puede causar incendios u otros accidentes que dañen el horno.



ADVERTENCIA: Un mal uso del enchufe de toma a tierra puede causar una descarga eléctrica.



Si tiene alguna duda sobre la conexión a tierra o las instrucciones eléctricas, consulte a un electricista o una persona cualificada.



El fabricante y/o distribuidor no aceptará ninguna responsabilidad por lesiones o daños en el horno que pudieran ocurrir cuando no se siguen los procedimientos de conexión eléctrica.

3 Instalación y conexión

3.6 Prueba de los utensilios

Nunca ponga en funcionamiento el horno si se encuentra vacío. La única excepción es la prueba de los utensilios descrita en la siguiente sección. Algunos utensilios no metálicos pueden no ser aptos para su utilización en microondas. Si no está seguro de que su utensilio sea apto para microondas, puede realizar la siguiente prueba.

1. Coloque el utensilio vacío para el que realice la prueba en el horno microondas junto con un vaso compatible con microondas lleno de 250 ml de agua.
2. Ponga en funcionamiento el horno a temperatura máxima durante 1 minuto.

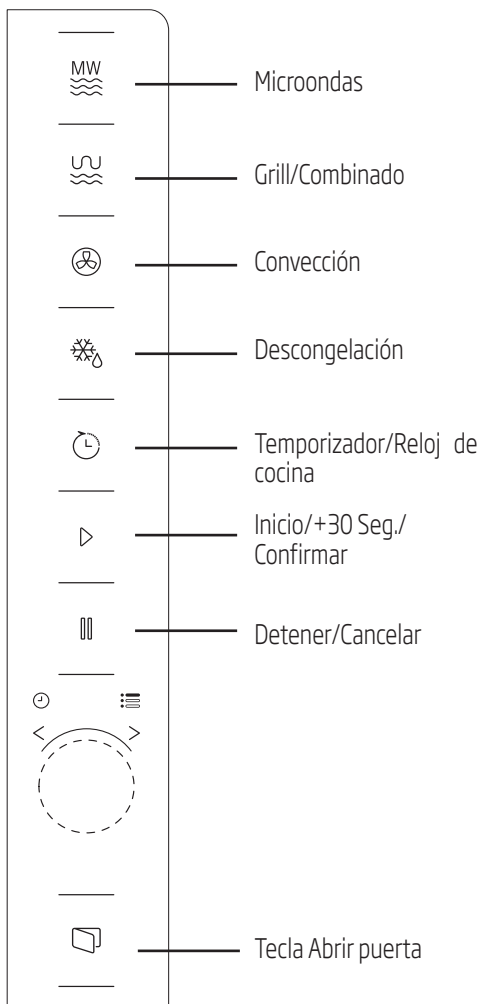
La siguiente lista es una guía general que le ayudará para seleccionar el utensilio correcto.

Utensilios de cocción	Microondas	Grill	Combinado
Vidrio resistente al calor	Sí	Sí	Sí
Vidrio no resistente al calor	No	No	No
Cerámica resistente al calor	Sí	Sí	Sí
Plato de plástico apto para horno microondas	Sí	No	No
Vajilla de papel	Sí	No	No
Bandeja de metal	No	Sí	No
Escurreidor de metal	No	Sí	No
Papel de aluminio o tapas de aluminio	No	Sí	No
Materiales de espuma	No	No	No

3. Verifique cuidadosamente la temperatura del utensilio que está probando. Si se calentó, no es adecuado para su utilización en microondas.
4. Nunca exceda el tiempo límite de funcionamiento de 1 minuto. Si nota algún tipo de arqueado del material durante el minuto de funcionamiento, detenga el microondas. Los utensilios que se arquean no son aptos para su utilización en microondas.

4 Funcionamiento

4.1 Panel de control



4.2 Instrucciones de funcionamiento

4.2.1 Ajuste del tiempo

Cuando el horno microondas está conectado a la corriente eléctrica, aparecerá "0:00" y el timbre sonará una vez.

1. Pulse (Temporizador/Reloj de cocina) dos veces y los números para las horas comenzarán a parpadear.
2. Gire para ajustar la hora; el valor introducido deberá estar entre 0 y 23.
3. Pulse (Temporizador/Reloj de cocina) dos veces y los números para los minutos comenzarán a parpadear.
4. Gire para ajustar los minutos; el valor introducido deberá estar entre 0 y 59.
5. Pulse (Temporizador/Reloj de cocina) para finalizar el ajuste de la hora. El símbolo ":" parpadeará y la hora se iluminará.




Si pulsa (Detener/Cancelar) durante la configuración de la hora, el horno volverá automáticamente al modo anterior.

4.2.2 Cocinar con el horno microondas





1. Pulse (Microondas) y aparecerá "PL10" en la pantalla LED.
2. Pulse (Microondas) de nuevo para seleccionar la potencia deseada. Cada vez que pulse la tecla, "PL10", "PL8", "PL5", "PL3" o "PL1" aparecerán respectivamente.
3. Gire para configurar un tiempo de cocción en un valor entre 0:05 y 95:00.

4 Funcionamiento

4. Pulse  (Inicio/+30 Seg./Confirmar) nuevamente para iniciar la cocción.



Ejemplo: Si desea utilizar el 80% de la potencia del microondas para cocinar durante 20 minutos, puede hacer funcionar el horno en los siguientes pasos.

5. Pulse  (Microondas) una vez y aparecerá "PL10" en la pantalla.
6. Pulse  (Microondas) una vez más para configurar la potencia del microondas en 80%.
7. Gire  para ajustar el tiempo de cocción hasta que el horno muestre "20:00".
8. Pulse  (Inicio/+30 Seg./Confirmar) para iniciar la cocción.





Los pasos para el ajuste del tiempo en el botón de codificación son los siguientes:

Ajuste de duración	Incrementar cantidad
0-1 minutos	5 segundos
1-5 minutos	10 segundos
5-10 minutos	30 segundos
10-30 minutos	1 minuto
30-95 minutos	5 minutos

4.2.3 Instrucciones del teclado del microondas





Pedido	Pantalla	Potencia de microondas:
1	PL10	100%
2	PL8	80%
3	PL5	50%
4	PL3	30%
5	PL1	10%

4.3 Cocina con grill o en modo combinado

1. Pulse  (Grill/Combinado) y "G" aparecerá en la pantalla LED. Pulse  (Grill/Combinado) repetidamente para seleccionar la potencia deseada. Cada vez que pulse la tecla "C-1", "C-2", "C-3" o "C-4" aparecerán respectivamente.
2. Gire  para configurar un tiempo de cocción en un valor entre 0:05 y 95:00.
3. Pulse  (Inicio/+30 Seg./Confirmar) nuevamente para iniciar la cocción.



Ejemplo: Si desea utilizar el Combi (MWO+Parrilla) (C-2) para cocinar durante 10 minutos, puede usar el horno mediante los siguientes pasos.

1. Pulse  (Grill/Combinado) una vez y aparecerá "G" en la pantalla.
2. Pulse  (Grill/Combinado) una vez más para seleccionar el modo Combinado 2.
3. Gire  para ajustar el tiempo de cocción hasta que el horno muestre "10:00".
4. Pulse  (Inicio/+30 Seg./Confirmar) para iniciar la cocción.

4 Funcionamiento

4.3.1 (Grill/Combinado) Instrucciones del teclado

Pedido	Pantalla	Potencia de microondas	Grill Potencia	Convección
1	C-1	●		●
2	C-2	●	●	
3	C-3		●	●
4	C-4	●	●	●



Cuando haya transcurrido la mitad del tiempo de grill, el horno suena dos veces y esto es normal. Con el fin de lograr un mejor efecto grill, debe girar el alimento, cerrar la puerta y luego pulsar (Inicio/+30 Seg./Confirmar) para continuar la cocción. Si no se lleva a cabo ninguna operación, el horno continuará la cocción.

4.4 Convección

4.4.1 Cocinado por convección (con función de precalentamiento)

El cocinado por convección le permite cocinar los alimentos como un horno tradicional. No se usa microondas. Se recomienda precalentar el horno a la temperatura adecuada antes de colocar los alimentos en el horno.

1. Pulse la tecla "⊗" (Convección) una vez y la pantalla «130 °C».
2. Pulse la tecla "⊗" (Convección) repetidamente para seleccionar la función de convección. Cuando se muestre la temperatura de convección, indica la función de convección. Puede escoger la temperatura desde 130 grados a 220 grados.

3. Pulse las teclas ▷ (Inicio/+30 Seg./Confirmar) para iniciar el precalentamiento. Cuando alcance la temperatura de precalentamiento, suena un zumbido para recordarle de colocar los alimentos en el horno. Y se muestra y parpadea la temperatura de precalentamiento.
4. Coloque los alimentos en el horno y cierre la puerta. Gire para ajustar el tiempo de cocción. (El tiempo máximo es de 95 minutos.)
5. Pulse ▷ (Inicio/+30 Seg./Confirmar) para iniciar la cocción.



El tiempo de cocción no puede ajustarse hasta alcanzar la temperatura de precalentamiento.

Si alcanza la temperatura, abra la puerta para ajustar el tiempo de cocción. Si no ajusta el tiempo en 5 minutos, el horno detendrá el precalentamiento. El zumbido sonará cinco veces y volverá al estado de espera.

4.4.2 Cocción por convección (sin la función de precalentamiento)

1. 1. Pulse la tecla "⊗" (Convección) una vez y la pantalla «130 °C».

4 Funcionamiento

2. Pulse la tecla "⊗" (Convección) repetidamente para seleccionar la función de convección. Cuando se muestre la temperatura de convección, indica la función de convección. Puede escoger la temperatura desde 130 grados a 220 grados.
3. Gire para ajustar el tiempo de cocción. (El tiempo máximo es de 95 minutos.)
4. Pulse la tecla ▷ (Inicio/+30 Seg./Confirmar) para iniciar la cocción.

4.5 Inicio rápido

1. En modo de espera, pulse ▷ (Inicio/+30 Seg./Confirmar) para iniciar la cocción con una potencia de microondas del 100%. Cada vez que pulse la tecla, el tiempo de cocción aumentará 95 minutos en pasos de 30 segundos.
2. En la cocción del horno microondas, los modos de cocción grill y combinada o de descongelación por tiempo, el tiempo de cocción aumentará 30 segundos cada vez que pulse ▷ (Inicio/+30 Seg./Confirmar).
3. En modo de espera, gire ⚙ en sentido antihorario para configurar el tiempo de cocción e iniciar la cocción con una potencia de microondas del 100% y pulse ▷ (Inicio/+30 Seg./Confirmar) para iniciar la cocción.



En los modos menú automático y descongelación por peso ▷ (Inicio/+30 Seg./Confirmar) no aumentará el tiempo de cocción.

4.6 Descongelación por peso

1. Presione ❄ (Descongelación) una vez.
2. Gire ⚙ para seleccionar el peso del alimento de 100 a 2000 g.

3. Pulse ▷ (Inicio/+30 Seg./Confirmar) para iniciar la descongelación.

4.7 Descongelación por tiempo

1. Presione ❄ (Descongelación) dos veces.
2. Gire ⚙ para seleccionar el tiempo de descongelación. El tiempo máximo es 95 minutos.
3. Pulse ▷ (Inicio/+30 Seg./Confirmar) para iniciar la descongelación. La potencia de descongelación es de PL3 y no se puede cambiar.

4.8 Temporizador de cocina (contador)

Su horno está equipado con un contador automático que no está relacionado con las funciones del horno y puede usarse de manera separada en la cocina (se puede configurar a un máximo de 95 minutos).



1. Pulse ⌚ (Temporizador/Reloj de cocina) una vez y aparecerá 00:00 en la pantalla LED.
 2. Gire ⚙ para introducir el tiempo correcto.
 3. Pulse ▷ (Inicio/+30 Seg./Confirmar) para confirmar el ajuste.
 4. Cuando la cuenta atrás a partir del tiempo introducido llegue a 00:00, el timbre sonará 5 veces. Si el tiempo está configurado (sistema de 24 horas), la hora correspondiente se mostrará en la pantalla LED.
- Pulse ⏏ (Detener/Cancelar) para anular el temporizador en cualquier momento.

4 Funcionamiento



El temporizador de cocina funciona diferente del sistema de 24 horas. El temporizador de cocina es simplemente un temporizador.

4.9 Menú automático

1. Gire hacia la derecha para seleccionar el menú deseado. Menús entre "AC01" y "AC10".
2. Pulse  (Inicio/+30 Seg./Confirmar) para confirmar.
3. Pulse para elegir el peso predeterminado según la tabla de menús.
4. Pulse  (Inicio/+30 Seg./Confirmar) para iniciar la cocción.

4.9.1 Menú de cocción automática

Menú	Peso	Pantalla	Energía
AC01 Pizza	200 g	200 g	C-4 / Izgara
	300 g	300 g	
	400 g	400 g	
AC02 Carne	150 g	150 g	100%
	300 g	300 g	
	450 g	450	
	600 g	600 g	
AC03 Verduras	150 g	150 g	100%
	350 g	350 g	
	500 g	500 g	
AC04 Pasta	50 g (con 450 ml de agua fría)	50 g	80%
	100 g (con 800 ml de agua fría)	100 g	
	150g (con 1200 ml de agua fría)	150 g	
AC05 Pastel	475 g	475 g	Precalentar a 160 °C

4 Funcionamiento

AC06 Patata	1 (acerca de 230 g)	1	100%
	2 (acerca de 460 g)	2	
	2 (acerca de 690 g)	3	
AC07 Pescado	150 g	150 g	80%
	250 g	250 g	
	350 g	350 g	
	450 g	450 g	
	650 g	650 g	
AC08 Bebidas	1 vaso (acerca de 240 g)	1	100%
	2 vasos (acerca de 480 g)	2	
	3 vasos (acerca de 720 g)	3	
AC09 Palomitas de maíz	50 g	50	100% microondas
	100 g	100	
AC10 Pollo	500g	500g	C-4/ Precalentar a 200°C
	750g	750g	
	1000g	1000g	
	1200g	1200g	

4 Funcionamiento

4.10 Cocción gradual

Se pueden configurar como máximo 2 pasos para cocinar. En una cocción gradual (de múltiples pasos) si uno de los pasos es la descongelación, entonces esta debe ubicarse en el primer paso.



Si desea descongelar alimentos por 5 minutos y luego cocinar con una potencia de microondas de 80% durante 7 minutos, siga los siguientes pasos:

1. Presione (Descongelación por tiempo) una vez.
2. Gire para seleccionar el tiempo de descongelación hasta que "5:00" aparezca en la pantalla.
3. Pulse (Microondas) una vez y aparecerá "PL10" en la pantalla.
4. Pulse (Microondas) una vez más para configurar la potencia del microondas en 80%.
5. Gire para ajustar el tiempo de cocción hasta que el horno muestre "7:00".
6. Pulse (Inicio/+30 Seg./Confirmar) para iniciar la cocción. El timbre sonará una vez para el primer paso y comenzará el tiempo de descongelación de la cuenta atrás. El timbre sonará una vez más cuando se introduzca el segundo paso de cocción. El timbre sonará 5 veces al final de la cocción.

4.11 Función de consulta

1. En los modos microondas, grill y combinado, pulse (Microondas) o (Grill/Combinado) y el nivel de potencia se mostrará durante 3 segundos. Tras 3 segundos, el horno volverá al modo anterior.
2. Durante la cocción, pulse (Temporizador/Reloj de cocina) y la hora se mostrará durante 3 segundos.

4.12 Bloqueo para niños

1. **Bloqueo:** En el modo de espera, pulse (Detener/Cancelar) por 3 segundos y sonará un timbre que indica que el bloqueo para niños está activado. Si ya está configurada la hora, también se mostrará la hora correspondiente; de lo contrario, se mostrará 0:00 en la pantalla LED.
2. **Desbloqueo:** Para desactivar el bloqueo para niños, pulse (Detener/Cancelar) por 3 segundos y se escuchará un pitido largo que indica que el bloqueo para niños está desactivado.

4.13 Apertura de la puerta del horno

Pulse (Abrir puerta) y se abrirá la puerta del horno.

5 Limpieza y mantenimiento

5.1 Limpieza

**ADVERTENCIA:**

Jamás utilice gasolina, disolventes, limpiadores abrasivos, objetos metálicos o cepillos duros para limpiar el aparato.

**ADVERTENCIA:**

No sumerja el aparato en agua o cualquier otro líquido.

1. Apague el aparato y desconéctelo de la toma de corriente de la pared.
2. Espere que el aparato se enfríe completamente.
3. Mantenga limpio el interior del horno. Limpie con un paño húmedo cuando las salpicaduras de alimentos o los líquidos derramados se adhieran a las paredes del horno. Se puede usar un detergente suave si el horno está muy sucio. Evite la utilización de aerosoles u otros limpiadores abrasivos que pueden producir manchas, marcas o que la superficie de la puerta pierda brillo.
4. Las superficies externas del horno se deben limpiar con un paño húmedo. No permita que penetre agua por las aberturas de ventilación para evitar dañar las piezas operativas del interior del horno.
5. Limpie frecuentemente ambos lados de la puerta y del cristal, las juntas de la puerta y las partes cercanas a las juntas con un paño húmedo para quitar las manchas de derrames y salpicaduras. No utilice productos de limpieza abrasivos.
6. No permita que el panel de control se humedezca. Límpielo con un paño suave y húmedo. Deje la puerta abierta para evitar que el horno se ponga en funcionamiento involuntariamente mientras limpia el panel de control.
7. En caso de que se acumule vapor en el interior o alrededor de la puerta del horno, elimínelo con un paño suave. Esto puede ocurrir cuando el horno microondas se utiliza en condiciones de mucha humedad. Es algo normal.
8. En algunos casos, deberá retirar la bandeja de cristal para su limpieza. Lave la bandeja con agua caliente y jabón o bien en un lavavajillas.
9. El anillo del rodillo y el suelo del horno deben limpiarse con regularidad para evitar ruidos excesivos. Es suficiente limpiar la superficie inferior del horno con un detergente suave. El anillo del rodillo debe lavarse con agua caliente y jabón o bien en un lavavajillas. Cuando retire el anillo del rodillo del suelo interno del horno para su limpieza, asegúrese de instalarlo en la posición correcta cuando lo vuelva a colocar.
10. Para eliminar los malos olores del horno, coloque un vaso de agua y el zumo y la cáscara de un limón en un recipiente profundo apto para microondas y ponga en funcionamiento el horno durante 5 minutos en modo microondas. Seque bien la superficie con un paño suave.
11. Contacte el servicio técnico autorizado cuando tenga que cambiar la lámpara del horno.
12. El horno se debe limpiar con regularidad y se debe eliminar cualquier resto de comida que se haya acumulado. Si no se mantiene limpio el horno, puede provocar defectos en la superficie que afectarían negativamente la vida útil del aparato y podría provocar riesgos.
13. No arroje este aparato junto con sus residuos domésticos; los hornos viejos deben ser eliminados en un centro de recogida de residuos especial dispuesto a tal fin por el gobierno local.
14. Cuando el horno microondas se utiliza en su función grill, puede producirse una pequeña cantidad de humo y olor, que desaparecerán tras un cierto tiempo de uso.

5.2 Almacenamiento

- Si no va a utilizar el aparato durante un periodo prolongado de tiempo, guárdelo cuidadosamente.
- Asegúrese de que el aparato esté desenchufado, frío y totalmente seco.
- Guarde el aparato en un lugar fresco y seco.
- Mantenga el aparato fuera del alcance de los niños.

6 Resolución de problemas

Normal	
El horno microondas interfiere con la recepción de la señal de televisión.	La recepción de las señales de radio y televisión pueden sufrir interferencias cuando el horno microondas está funcionando. Es similar a la interferencia producida por pequeños electrodomésticos, como la batidora, la aspiradora y el ventilador. Es algo normal.
La luz del horno baja su potencia.	Durante la cocción microondas de baja potencia, es posible que la luz del horno también disminuya su potencia. Es algo normal.
El vapor se acumula en la puerta, el aire caliente sale por los orificios de salida de vapor	Durante la cocción, puede emanar vapor de los alimentos. La mayor parte de este vapor saldrá por los orificios de salida de vapor. Pero algunos vapores podrán acumularse en un lugar frío como la puerta del horno. Es algo normal.
El horno se inicia accidentalmente sin alimentos en su interior.	No se puede hacer funcionar el aparato sin alimentos en su interior. Es muy peligroso.

Problema	Motivo posible	Solución
No se puede iniciar el horno.	(1) El cable de alimentación no está enchufado correctamente.	Desenchúfelo. Luego, enchúfelo nuevamente por 10 segundos.
	(2) El fusible está quemado o el disyuntor se ha activado.	Sustituya el fusible o restablezca el disyuntor (reparado por un operador profesional de nuestra empresa).
	(3) Problemas con el tomacorriente.	Compruebe la toma eléctrica enchufando otros aparatos.
El horno no calienta.	(4) La puerta no está cerrada correctamente.	Cierre la puerta correctamente.
El plato giratorio de cristal hace ruido durante el funcionamiento del horno microondas.	(5) El plato giratorio y la parte inferior del horno están sucios.	Consulte la sección "Limpieza y mantenimiento" para limpiar las partes sucias.
El horno muestra el error E-3 y no funciona (para el modelo MGB 25333 BG)	(6) La puerta del horno no se abre (debido a una obstrucción frente a la puerta, bajo voltaje, etc.)	Desenchúfelo. Luego, enchúfelo nuevamente por 10 segundos.

Proszę najpierw przeczytać tę instrukcję obsługi!

Droży Klienci,

Dziękujemy za wybór wyrobu marki Beko. Mamy nadzieję, że wyrób ten, wyprodukowany przy użyciu wysokiej jakości najnowszej technologii, okaże się w najwyższym stopniu zadowalający. Dlatego proszę przed jego użyciem uważnie przeczytać całą tę instrukcję obsługi i towarzyszące jej dokumenty i zachować ją do wglądu na przyszłość. Przy przekazaniu tego wyrobu komuś innemu, proszę oddać mu także tę instrukcję. Proszę przestrzegać wszystkich ostrzeżeń i informacji z tej instrukcji obsługi.

Znaczenie symboli

W różnych rozdziałach niniejszej instrukcji stosuje się następujące symbole:



Ważne informacje i przydatne wskazówki dotyczące użytkowania.



Ostrzeżenia dotyczące sytuacji zagrażających bezpieczeństwu, życiu i mieniu.



Ostrzeżenie przed gorącymi powierzchniami.



Urządzenie zostało wyprodukowane w nowoczesnych, bezpiecznych dla środowiska zakładach bez wpływu na przyrodę.

Urządzenie jest zgodne z dyrektywą WEEE.



Nie zawiera bifenyli polichlorowanych (PCB).

SPIS TREŚCI

1 Ważne instrukcje dotyczące bezpieczeństwa i ochrony środowiska naturalnego 108

1.1 Bezpieczeństwo; Zasady ogólne	108
1.1.1 Bezpieczeństwo; Elektryczność	110
1.1.2 Bezpieczeństwo; Wyrób	111
1.2 Przeznaczenie	112
1.3 Bezpieczeństwo; Dzieci	112
1.4 Zgodność z dyrektywą WEEE i pozbywanie się zużytych wyrobów	113
1.5 Informacje o opakowaniu	113

2 Twoja kuchenka mikrofalowa 114

2.1 Opis ogólny	114
2.1.1 Elementy sterujące i części	114
2.1.2 Dane techniczne	114
2.1.3 Zakładanie talerza obrotowego	115

3 Montaż i podłączenie 116

3.1 Montaż i podłączenie	116
3.2 Montaż zabudowany	117
3.2.1 Wymiary mebli do montażu zabudowanego	117
3.2.2 Przygotowanie szafki	118
3.2.3 Mocowanie kuchenki	119
3.3 Zakłócenia radiowe	120
3.4 Zasady gotowania w kuchenke mikrofalowej	120
3.5 Instrukcje uziemiania	120
3.6 Test przyborów	121

4 Obsługa 122

4.1 Panel sterowania	122
4.2 Instrukcje obsługi	122
4.2.1 Ustawianie czasu	122
4.2.2 Gotowanie w kuchenke mikrofalowej	122
4.2.3 Instrukcje korzystania z klawiatury kuchenki mikrofalowej	123
4.3 Pieczenie na grillu lub gotowanie w trybie mieszanym	123
4.3.1 Instrukcje korzystania z klawiatury (grill/tryb mieszany)	124

4.4 Termoobieg	124
4.4.1 Gotowanie z termoobieganiem (z funkcją podgrzewania)	124
4.4.2 Gotowanie z termoobieganiem (Bez funkcji podgrzewania)	125
4.5 Szybki start	125
4.6 Rozmrażanie według wagi	125
4.7 Rozmrażanie według czasu	125
4.8 Czasomierz kuchenny (licznik)	125
4.9 Menu automatyczne	126
4.9.1 Menu gotowania automatycznego	127
4.10 Gotowanie wieloetapowe	128
4.11 Funkcja zapytania	128
4.12 Blokada zabezpieczająca przed dziećmi	128
4.13 Otwieranie drzwiczek kuchenki	128

5 Czyszczenie i konserwacja 129

5.1 Czyszczenie	129
5.2 Przechowywanie	130

6 Rozwiązywanie problemów 131

Rozdział ten zawiera instrukcje zachowania bezpieczeństwa, które pomogą chronić się przed ryzykiem pożaru, porażenia prądem elektrycznym, wycieku mikrofal, obrażeniami ciała lub uszkodzami w mieniu. Nieprzestrzeganie tych instrukcji unieważnia udzielone gwarancje.

1.1 Bezpieczeństwo: Zasady ogólne

- Nie próbuj uruchamiać kuchenki, kiedy jej drzwiczki są otwarte; w ten sposób możesz narazić się na działanie szkodliwego promieniowania mikrofalowego. Nie należy wyłączać blokad ani przy nich manipulować.
- Nie wkładaj żadnych przedmiotów między przód na drzwiczki kuchenki. Nie dopuść do gromadzenia się zabrudzeń lub pozostałości środków czystości na powierzchniach zamykających.
- Wszystkie prace serwisowe wymagające zdjęcia pokrywy chroniącej przed ekspozycją na promieniowanie mikrofalowe muszą być wykonywane przez autoryzowane osoby/serwis. Każdy inny sposób postępowania jest niebezpieczny.
- Produkt jest przeznaczony do gotowania, podgrzewania i rozmrażania żywności w warunkach domowych. Nie należy go używać do celów komercyjnych. Producent nie ponosi żadnej odpowiedzialności za szkody wynikłe z nieprawidłowego użytkowania.
- Nie używaj tego urządzenia na zewnątrz, w łazience, wilgotnym środowisku lub w miejscach, gdzie może ono ulec zamoczeniu.
- Producent nie ponosi odpowiedzialności ani nie udziela żadnej gwarancji w przypadku szkód poniesionych z powodu nieprawidłowego użytkowania urządzenia lub nieprawidłowego obchodzenia się z nim.
- Nigdy nie należy próbować rozkładać tego urządzenia na części. Gwarancja na urządzenie nie obejmuje uszkodzeń spowodowanych nieprawidłowym obchodzeniem się z nim.
- Należy stosować wyłącznie oryginalne lub zalecane przez producenta części zamienne.
- Nie wolno zostawiać tego urządzenia bez dozoru, gdy jest używane.

Ważne instrukcje dotyczące bezpieczeństwa i ochrony środowiska naturalnego

- Zawsze używaj tego urządzenie na stabilnej, płaskiej, czystej i nieśliskiej powierzchni.
- Urządzenia tego nie wolno używać razem z zewnętrznym zegarem lub osobnym systemem zdalnego sterowania.
- Przed pierwszym użyciem tego urządzenia oczyścić wszystkie jego części. Dokładne instrukcje podano w rozdziale „Czyszczenie i konserwacja”.
- To urządzenie należy używać tylko zgodnie z jego przeznaczeniem, w sposób opisany w niniejszej instrukcji. Nie używać ściernych środków czyszczących ani pary na tym urządzeniu. Ta kuchenka jest przeznaczona przede wszystkim do podgrzewania i gotowania żywności. Nie jest przeznaczona do użytku przemysłowego ani laboratoryjnego.
- Nie używaj urządzenia do suszenia ubrań ani ścierek kuchennych.
- Urządzenie bardzo się nagrzewa w trakcie używania. Uważaj, aby nie dotknąć gorących części wewnątrz kuchenki.
- Kuchenka nie jest przeznaczona do suszenia żadnej istoty żywej.
- Nie uruchamiaj kuchenki, kiedy jest pusta.
- Przybory kuchenne mogą się nagrzać ciepłem przeniesionym na nie z podgrzewanego jedzenia. Do trzymania przyborów może być konieczne użycie rękawiczek.
- Sprawdzaj, czy przybory nadają się do użytku w kuchenkach mikrofalowych.
- Nie umieszczaj kuchenki na piecach lub innych urządzeniach wytwarzających ciepło. W takim przypadku może ulec uszkodzeniu, a gwarancja utraci ważność.
- Kuchenki mikrofalowej nie można umieszczać w szafce niezgodnej z instrukcjami montażu.
- Para może się wydobywać podczas zdejmowania pokrywki lub folii po ugotowaniu potrawy.
- Podczas wyjmowania każdego rodzaju podgrzewanych potraw należy używać rękawic.
- Urządzenie i jego dostępne powierzchnie mogą być bardzo gorące w trakcie użytkowania.
- Drzwiczki i zewnętrzna powierzchnia szklana mogą być bardzo gorące w trakcie użytkowania.

1.1.1 Bezpieczeństwo: Elektryczność

- Kuchenka mikrofalowa firmy Beko spełnia wszystkie wymogi stosownych norm bezpieczeństwa. W przypadku jakiegokolwiek uszkodzenia urządzenia lub przewodu zasilającego, aby uniknąć wszelkich zagrożeń należy oddać je do naprawy lub wymiany przez sprzedawcę, punkt serwisowy lub specjalistę albo autoryzowany serwis. Błędna lub niefachowa naprawa może być niebezpieczna i powodować zagrożenie dla użytkowników.
- Zasilanie z domowej sieci elektrycznej musi być zgodne z informacjami podanymi na tabliczce znamionowej tego urządzenia. Jedyny sposób, aby odłączyć urządzenie to od zasilania, to wyjęcie wtyczki z gniazdka sieciowego.
- Używaj urządzenia tylko wtedy, jeśli jest podłączone do gniazdka z uziemieniem.
- Urządzenia tego nie wolno nigdy używać, jeśli przewód zasilający lub ono samo są uszkodzone
- Nie używaj przedłużaczy razem z tym urządzeniem.
- Nigdy nie dotykaj urządzenia ani jego wtyczki wilgotnymi lub mokrymi dłońmi.
- Urządzenie ustaw tak, aby zawsze był możliwy dostęp do wtyczki.
- Aby zapobiec uszkodzeniu przewodu zasilającego nie wolno dopuścić do jego ściskania, zginania ani ocierania o ostre krawędzie. Trzymaj przewód zasilający z dala od gorących powierzchni i otwartego ognia.
- Zadbaj, aby podczas używania tego urządzenia nie doszło do przypadkowego wypięcia przewodu zasilania ani potknięcia się o niego.
- Przed każdym czyszczeniem urządzenia i gdy nie jest ono używane należy wyjąć wtyczkę z gniazdka ściennego.
- Nie ciągnij za przewód zasilający, aby odłączyć to urządzenie od zasilania i nigdy nie owijaj przewodu zasilającego wokół urządzenia.
- Urządzenia, przewodu zasilającego ani wtyczki nie wolno zanurzać w wodzie ani w innym płynie. Nie trzymaj tego urządzenia pod bieżącą wodą.

- Podczas podgrzewania potraw w plastikowych lub papierowych pojemnikach często sprawdzaj kuchenkę ze względu na ryzyko zapłonu.
 - Z papierowych lub plastikowych torebek dostosowanych do użycia w kuchenke mikrofalowej usuń druty i/lub metalowe uchwyty przed umieszczeniem ich w kuchenke.
 - Jeśli zauważysz dym, wyłącz urządzenie lub wyciągnij wtyczkę i zostaw zamknięte drzwiczki, aby zapobiec zapłonowi.
 - Nie używaj wnętrza kuchenki do przechowywania rzeczy. Nie zostawiaj wewnątrz kuchenki papierowych rzeczy, przyborów do gotowania ani jedzenia, jeśli nie jest ona używana.
 - Należy zamieszać lub wstrząsnąć zawartość butelek do karmienia i słoiczków z jedzeniem dla dzieci oraz sprawdzić jej temperaturę przed spożyciem, aby uniknąć poparzeń.
 - To urządzenie jest sprzętem grupy 2 klasa B ISM. Grupa 2 obejmuje wszystkie sprzęty ISM (Industrial, Scientific and Medical - przemysłowe, naukowe i medyczne), w których celowo generowane są fale radiowe i/lub używane w formie promieniowania elektromagnetycznego w celu obróbki materiałów oraz obrabiarki elektroiskrowe.
 - Sprzęt klasy B nadaje się do użytku domowego i w miejscach bezpośrednio podłączonych do sieci zasilającej o niskim napięciu.
 - Drzwiczki lub powierzchnie zewnętrzne urządzenia mogą się nagrzać w trakcie korzystania.
- ## 1.1.2 Bezpieczeństwo: Wyrób
- Nie można podgrzewać płynów ani innych produktów spożywczych w zamkniętym pojemniku, ponieważ istnieje ryzyko eksplozji.
 - Podgrzewanie napojów w kuchenke mikrofalowej może spowodować, że będą wrzeć, przyskając na boki po wyjęciu ich z kuchenki; zachowaj ostrożność, trzymając pojemniki.

Ważne instrukcje dotyczące bezpieczeństwa i ochrony środowiska naturalnego

- Nie piecz niczego w kuchence. Gorący olej może uszkodzić części i materiały, z których jest wykonana kuchenka, i może spowodować oparzenia skóry.
- Nakłuj artykuły z grubą skórką, jak ziemniaki, cukinie, jabłka i kasztany.
- Urządzenie musi być ustawione w taki sposób, aby tył był skierowany do ściany.
- Jeśli drzwiczki lub ich uszczelki są uszkodzone, nie wolno używać kuchenki, aż zostanie naprawiona przez specjalistę.
- Przed przeniesieniem urządzenia zabezpiecz talerz obrotowy, aby zapobiec jego uszkodzeniu.
- Nie używaj kuchenki mikrofalowej do gotowania lub podgrzewania całych jajek, w skorupce czy bez.
- Nigdy nie zdejmuj części tylnej i boków urządzenia, które zapewniają minimalne odległości między ścianami szafki a urządzeniem, aby zapewnić wymaganą cyrkulację powietrza.
- Nie używaj tego urządzenia do celów niezgodnych z jego przeznaczeniem.
- Nie używaj tego urządzenia jako źródła ciepła.
- Kuchenka mikrofalowa jest przeznaczona wyłącznie do rozmrażania, gotowania i duszenia artykułów spożywczych.
- Nigdy nie gotuj potraw zbyt długo - możesz spowodować pożar.
- Do czyszczenia urządzenia nie używaj myjek parowych.

1.3 Bezpieczeństwo: Dzieci

- Szczególną ostrożność zaleca się, gdy używane jest w pobliżu dzieci i osób o ograniczonych możliwościach fizycznych, zmysłowych lub umysłowych.
- Urządzenia tego mogą używać dzieci w wieku 8 lat lub starsze oraz osoby niepełnosprawne fizycznie, sensorycznie lub umysłowo, lub nieumiejętne i niedoświadczone, pod warunkiem, że ktoś nadzoruje ich użytkowanie pod względem bezpieczeństwa, lub zostały odpowiednio poinstruowane i zdają sobie sprawę z zagrożeń przy jego użytkowaniu.

1.2 Przeznaczenie

- To urządzenie jest przeznaczone wyłącznie do użytku wbudowanego.

Dzieci nie powinny bawić się tym urządzeniem. Dzieci nie powinny czyścić go ani konserwować, o ile nie są pod nadzorem osoby dorosłej.

- Niebezpieczeństwo zadławienia! Wszystkie materiały opakowaniowe należy trzymać z dala od dzieci.
- Dzieci mogą korzystać z urządzenia bez nadzoru wyłącznie jeśli zostały odpowiednio poinstruowane i potrafią używać kuchenki mikrofalowej w bezpieczny sposób oraz rozumieją zagrożenia związane z nieprawidłowym użyciem.
- Ze względu na nadmiernie ciepło, które powstaje w trybie grillowania i trybie mieszanym, dzieci mogą korzystać z tych trybów tylko pod nadzorem dorosłego.
- Produkt i kabel zasilający powinny znajdować się poza zasięgiem dzieci poniżej 8 roku życia.
- Urządzenie i jego dostępne powierzchnie mogą być bardzo gorące w trakcie użytkowania. Chronić urządzenie przed dostępem dzieci.

1.4 Zgodność z dyrektywą WEEE i pozbywanie się zużytych wyrobów



Wyrób ten nie zawiera materiałów szkodliwych ani zabronionych określonych w „Rozporządzeniu dot. nadzorowania odpadów urządzeń elektrycznych i elektronicznych” wydanym przez Ministerstwo Środowiska i Urbanistyki. Wyrób zgodny z Dyrektywą WEEE. Wyrób ten wykonano z części i materiałów wysokiej jakości, które mogą być odzyskane i użyte jako surowce wtórne.

A zatem po zakończeniu użytkowania nie należy pozbywać się go razem z innymi odpadkami domowymi. Należy przekazać go do punktu zbiórki urządzeń elektrycznych i elektronicznych na surowce wtórne. Informacje o lokalizacji takich punktów zbiórki można uzyskać od władz miejscowych. Odzyskując surowce z używanych wyrobów, pomagamy chronić środowisko naturalne.

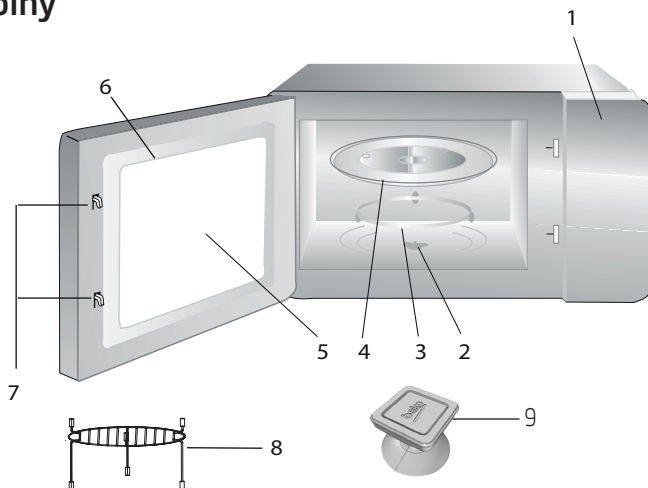
1.5 Informacje o opakowaniu



Opakowanie tego wyrobu wykonano z materiałów nadających się do recyklingu, zgodnie z naszym ustawodawstwem krajowym. Nie wyrzucaj materiałów opakowaniowych do śmieci wraz z innymi odpadkami domowymi. Oddaj je w jednym z wyznaczonych przez władze lokalne punktów zbiórki materiałów opakowaniowych.

2 Twoja kuchenka mikrofalowa

2.1 Opis ogólny



2.1.1 Elementy sterujące i części

1. Panel sterowania
2. Trzpień talerza obrotowego
3. Podpora talerza obrotowego
4. Szklana tacka
5. Okno kuchenki
6. Zespół drzwi
7. System blokady zabezpieczającej drzwi
8. Kratka do grillowania (tylko do używania w trybie grillowania i położona na szklanej tacce)
9. Otwieracz próżniowy do ręcznego otwierania drzwiczek.

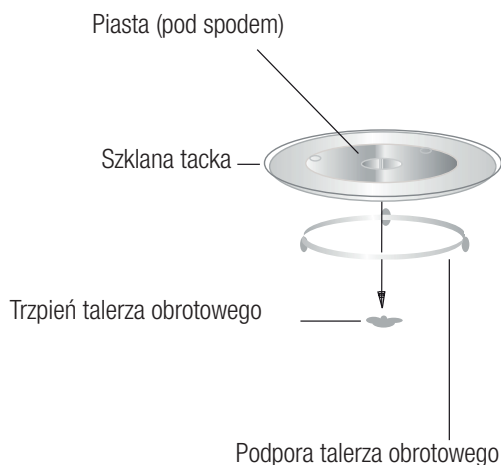
2.1.2 Dane techniczne

Zużycie mocy	230 V~50 Hz, 1450 W (mikrofałe) 2500 W (Termoobieg) 1100 W (grill)
Moc wyjściowa	900 W
Częstotliwość robocza	2450 MHz
Wartość prądu w amperach	11.5 A
Wymiary zewnętrzne	595 x 470 x 388 mm
Wewnętrzne wymiary kuchenki	226 x 328 x 346 mm
Pojemność kuchenki	25 litrów
Waga netto	21.0 kg

Wartości oznaczone na okapie i podane w innych dokumentach wraz z nim dostarczonych uzyskano w warunkach laboratoryjnych, według stosownych norm. Wartości te mogą się różnić w zależności od użytkowania urządzenia i warunków w jego otoczeniu. Wartości mocy są testowane przy 230 V.

2 Twoja kuchenka mikrofalowa

2.1.3 Zakładanie talerza obrotowego



- Nigdy nie kładź szklanej tacki do góry nogami. Nic nie powinno blokować szklanej tacki.
- Zarówno szklana tacka, jak i podpora talerza obrotowego muszą być zawsze używane w trakcie gotowania.
- Wszystkie artykuły spożywcze i pojemniki z potrawami zawsze muszą być umieszczane na szklanej tacce do gotowania.
- Jeśli szklana tacka lub podpora talerza obrotowego pękną lub złamią się, skontaktuj się z najbliższym centrum serwisowym.

3 Montaż i podłączenie

3.1 Montaż i podłączenie

- Usunąć całe opakowanie i akcesoria. Sprawdzić kuchenkę pod kątem uszkodzeń, takich jak wgniecenia czy wyłamane drzwi. Nie montuj kuchenki, jeśli jest uszkodzona.
- Usunąć całą folię ochronną na powierzchni obudowy kuchenki mikrofalowej.
- Nie usuwać jasnobrązowej pokrywy Mica, zamontowanej w komorze kuchenki, aby chronić magnetron.
- Urządzenie to przeznaczone jest wyłącznie do użytku domowego.
- Urządzenie to jest przeznaczone wyłącznie do użytku zabudowanego. Nie jest przeznaczone do użytku na blacie lub wewnątrz szafki.
- Zapoznaj się ze specjalnymi instrukcjami montażu.
- Urządzenie można zamontować w szafce o szerokości 60 cm przymocowanej do ściany (co najmniej 55 cm głębokości i 85 cm powyżej podłogi).
- Urządzenie jest wyposażone we wtyczkę i musi być podłączone do prawidłowo zamontowanego i uziemionego gniazdka.
- Napięcie w sieci musi odpowiadać podanemu na tabliczce znamionowej.
- Gniazdko musi być zamontowane, a kabel łączący może być wymieniany tylko przez autoryzowany personel serwisowy. Jeśli po zamontowaniu nie ma już dostępu do wtyczki, po stronie montażowej musi znajdować się rozłącznik dla wszystkich biegunów z odległością otwarcia styków przynajmniej 3 mm.
- Nie wolno używać adapterów, złodziejek i przedłużaczy. Przeładowanie może skutkować ryzykiem pożaru.



Dostępna powierzchnia może być gorąca w trakcie użytkowania.



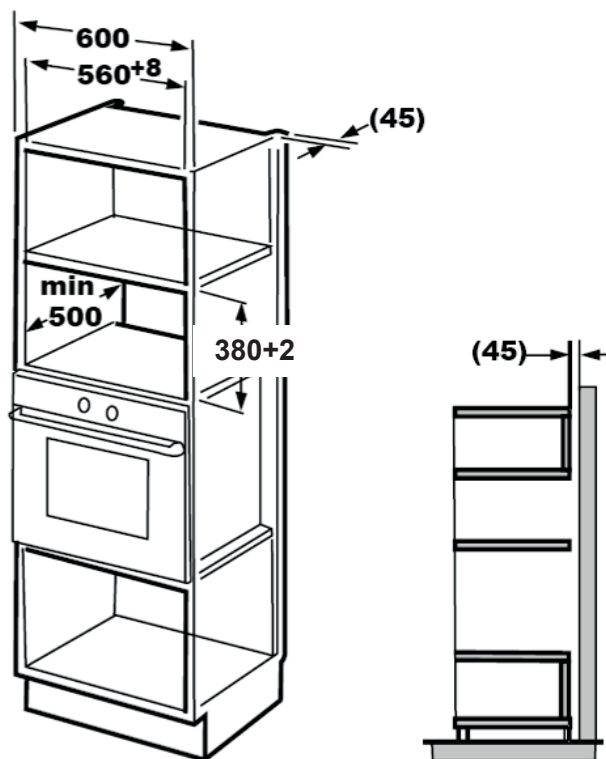
Nie ścisnąć ani nie zginać kabla zasilającego.

1.

3 Montaż i podłączenie

3.2 Montaż zabudowany

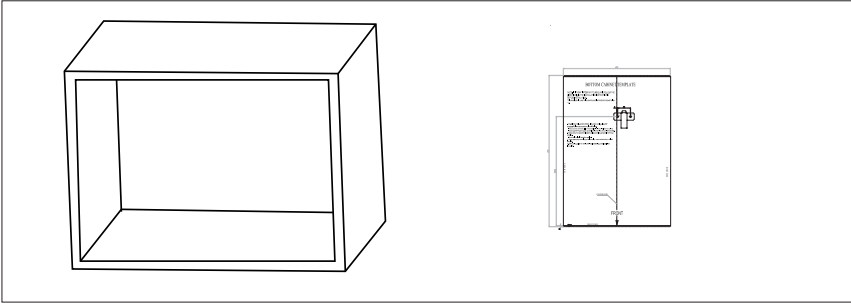
3.2.1 Wymiary mebli do montażu zabudowanego



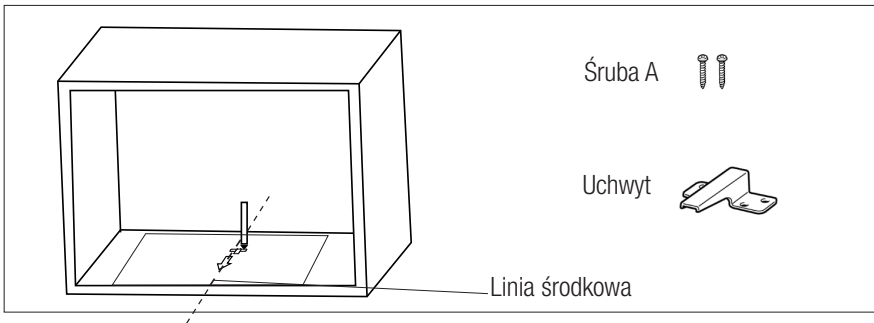
3 Montaż i podłączenie

3.2.2 Przygotowanie szafki

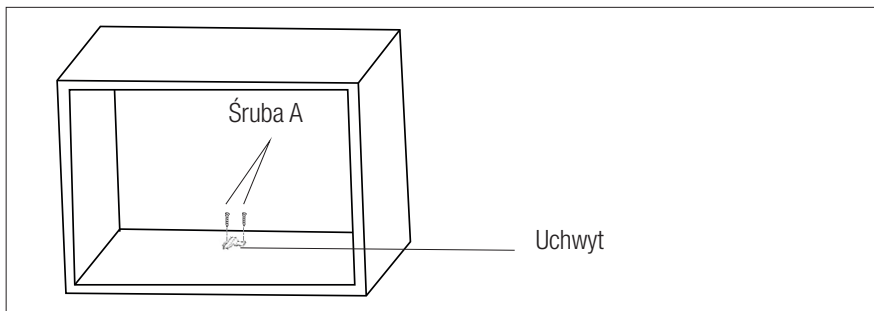
1. Przeczytaj instrukcje na szablonie spodu szafki i umieść szablon w dolnej płaszczyźnie szafki.



2. Na dolnej płaszczyźnie szafki zaznacz miejsca zgodnie z oznaczeniami „a” na szablonie.



3. Usuń szablon spodu szafki i zamontuj uchwyt za pomocą śruby A.

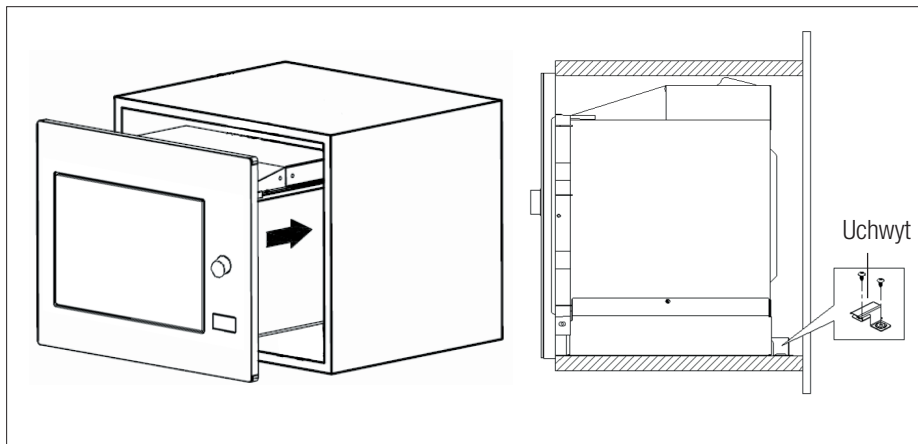


3 Montaż i podłączenie

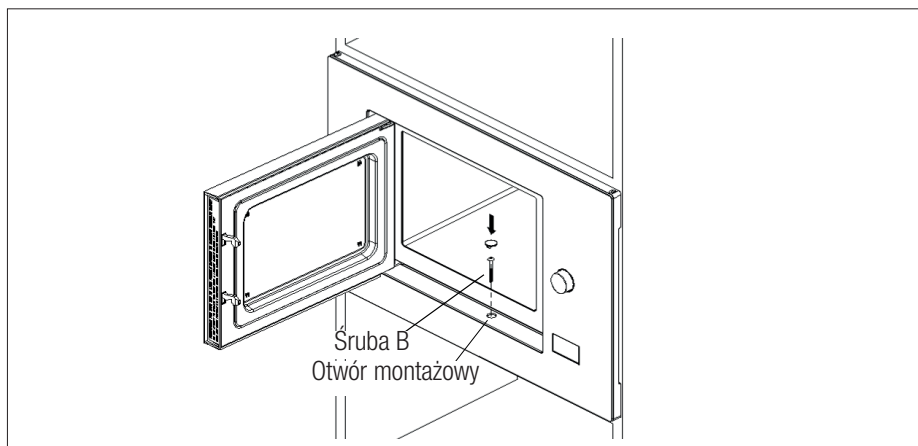
3.2.3 Mocowanie kuchenki

1. Zamontuj kuchenkę w szafce.

- Tył kuchenki musi być koniecznie zablokowany przez uchwyt.
- Nie ściskaj ani nie zginaj kabla zasilającego.



2. Otwórz drzwiczki, przymocuj kuchenkę do szafki za pomocą śruby B przez otwór montażowy. Następnie załóż na otwór montażowy plastikową pokrywkę z zestawu uzupełniającego.



3.3 Zakłócenia radiowe



Działanie kuchenki mikrofalowej może spowodować zakłócenia w odbiorze radia, telewizji i podobnych urządzeń.

- Umieść kuchenkę jak najdalej od odbiorników radiowych i telewizorów. Działanie kuchenki mikrofalowej może spowodować zakłócenia w odbiorze radia i telewizji. 2. Podłącz kuchenkę to standardowego gniazdka domowego. Napięcie i częstotliwość muszą być takie same, jak napięcie i częstotliwość na tabliczce znamionowej.
- W przypadku zakłóceń można je zmniejszyć lub wyeliminować, stosując opisane poniżej środki:
- Wyczyść drzwiczki i powierzchnie uszczelniające kuchenki.
- Ponownie ustaw kierunek anteny radia lub telewizora.
- Przetwórz kuchenkę, biorąc pod uwagę lokalizację odbiornika.
- Umieść kuchenkę mikrofalową z dala od odbiornika.
- Podłącz kuchenkę mikrofalową do innego gniazda, aby kuchenka i odbiornik były podłączone do innych linii.

3.4 Zasady gotowania w kuchence mikrofalowej

- Ostrożnie przygotuj żywność. Pozostałe części umieść poza naczyniem.
- Zwracaj uwagę na czas gotowania. Gotuj w najkrótszym podanym czasie; w razie potrzeby przedłuż trochę gotowanie. Zbyt długo gotowana potrawa może dymić lub może się spalić.
- Przykryj potrawę na czas gotowania. Przykrycie potrawy zapobiega pryskaniu i pomaga w równomiernym jej ugotowaniu.

- W trakcie gotowania w kuchence mikrofalowej przewracaj potrawy takie jak drób czy hamburgery, aby przyspieszyć ich czas gotowania. Większe potrawy, jak pieczeń, należy obrócić przynajmniej raz.
- W połowie czasu gotowania obracaj pokrętkę takie potrawy jak klopsiki do góry nogami i przekładaj je ze środka naczynia na zewnętrzną krawędź.

3.5 Instrukcje uziemiania

To urządzenie musi być uziemione. Ta kuchenka ma kabel uziemiający z uziemioną wtyczką. Urządzenie musi być podłączone do gniazdka w ścianie, prawidłowo zainstalowanego i uziemionego. System uziemienia ma przewód odprowadzający prąd elektryczny w przypadku zwarcia i zmniejsza ryzyko porażenia prądem. Zalecamy używanie obwodu elektrycznego przeznaczonego dla kuchenki. Korzystanie z wysokiego napięcia jest niebezpieczne i może spowodować pożar lub inny wypadek, który może uszkodzić kuchenkę.



OSTRZEŻENIE: Nieprawidłowe użycie wtyczki uziemiającej może skutkować porażeniem prądem elektrycznym.



Jeśli masz pytania na temat instrukcji uziemiania i dotyczącej połączeń elektrycznych, skonsultuj się wykwalifikowanym elektrykiem lub personelem serwisowym.



Producent i/lub sprzedawca nie przyjmują żadnej odpowiedzialności za obrażenia lub uszkodzenia kuchenki, które mogą wystąpić w przypadku nieprzestrzegania procedur połączenia elektrycznego.

3 Montaż i podłączenie

3.6 Test przyborów

Nigdy nie uruchamiaj pustej kuchenki mikrofalowej. Jedynym wyjątkiem jest test przyborów opisany w poniższej sekcji. Niektóre niemetalowe przybory mogą być nieodpowiednie do używania w kuchenke mikrofalowej. Jeśli nie wiesz, czy dana rzecz jest odpowiednia do kuchenki mikrofalowej, możesz przeprowadzić następujący test.

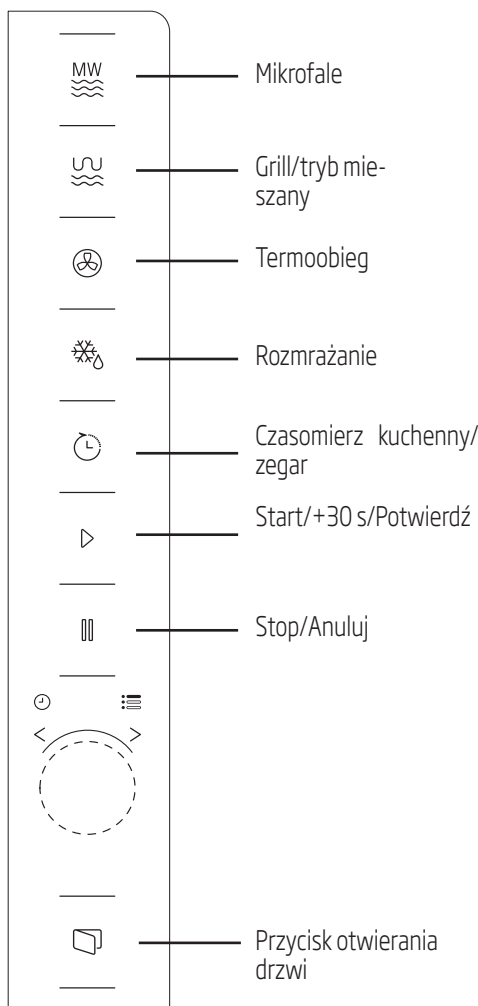
1. Umieść pusty przedmiot do przetestowania w kuchenke mikrofalowej razem ze szklanką odpowiednią do tego rodzaju kuchenek, wypełnioną 250 ml wody.

2. Włącz kuchenkę na pełną moc na 1 minutę.
3. Ostrożnie sprawdź temperaturę testowanego przedmiotu. Jeśli jest ciepły, nie nadaje się do stosowania w kuchenke mikrofalowej.
4. Nigdy nie przekraczaj ograniczenia czasu działania do 1 minuty. Jeśli w trakcie tej 1 minuty zauważysz iskrzenie, wyłącz kuchenkę. Przybory powodujące iskrzenie nie nadają się do stosowania w kuchenke mikrofalowej.

Następująca lista to ogólny poradnik, który pomoże wybrać odpowiednie przybory do gotowania.

Przybory kuchenne	Mikrofale	Grill	Tryb mieszany
Szkoło żaroodporne	Tak	Tak	Tak
Zwykłe szkło	Nie	Nie	Nie
Ceramika żaroodporna	Tak	Tak	Tak
Plastikowe naczynia odpowiednie do kuchenki mikrofalowej	Tak	Nie	Nie
Papierowe naczynia kuchenne	Tak	Nie	Nie
Metalowa tacka	Nie	Tak	Nie
Metalowa kratka	Nie	Tak	Nie
Folia aluminiowa i foliowe pokrywki	Nie	Tak	Nie
Materiały piankowe	Nie	Nie	Nie






4.1 Panel sterowania




4.2 Instrukcje obsługi

4.2.1 Ustawianie czasu




Kiedy kuchenka mikrofalowa jest gotowa do działania, na ekranie LED wyświetli się „0:00” i rozlegnie się pojedynczy sygnał.

1. Naciśnij przycisk  (Kitchen Timer/Clock) dwa razy, a godziny zaczną migać.
2. Obróć pokrętkę , aby ustawić godzinę; wartość wejściowa powinna się mieścić między 0 a 23.
3. Naciśnij przycisk  (Kitchen Timer/Clock), a minuty zaczną migać.
4. Obróć pokrętkę , aby ustawić minuty; wartość wejściowa powinna się mieścić między 0 a 59.
5. Naciśnij przycisk , aby zakończyć ustawianie godziny. Zacznie migać symbol „:” i zaświeci się godzina.




Jeśli naciśniesz  (Stop/Cancel) w trakcie ustawiania czasu, kuchenka powróci automatycznie do poprzedniego trybu.

4.2.2 Gotowanie w kuchenke mikrofalowej


1. Naciśnij przycisk  (Microwave), a na ekranie LED wyświetli się „PL10”.
2. Naciśnij ponownie przycisk  (Microwave) aby wybrać żądaną moc. Za każdym razem, kiedy naciśniesz przycisk, odpowiednio pojawią się wartości „PL10”, „PL8”, „PL5”, „PL3” lub „PL1”.
3. Obróć pokrętkę , aby ustawić czas gotowania na wartość między 0:05 i 95:00.


4 Obsługa

4. Naciśnij ponownie przycisk  (Start/+30 Sec./Confirm), aby zacząć gotowanie.




Przykład: Jeśli chcesz użyć 80% mocy mikrofal, aby gotować przez 20 minut, możesz wykonać następujące kroki.

5. Naciśnij przycisk  (Microwave) raz, a na ekranie LED wyświetli się „PL10”.

6. Naciśnij jeszcze raz przycisk  (Microwave), aby ustawić moc na 80%.

7. Obracaj pokrętkę , aby dopasować czas gotowania, aż wyświetli się „20:00”.

8. Naciśnij przycisk  (Start/+30 Sec./Confirm), aby zacząć gotowanie.

Kroki dopasowywania czasu za pomocą przycisku kodującego pokazano poniżej:


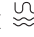
Ustawianie czasu trwania	Zwiększ długość
0-1 minuta	5 sekund
1-5 minut	10 sekund
5-10 minut	30 sekund
10-30 minut	1 minuta
30-95 minut	5 minut

4.2.3 Instrukcje korzystania z klawiatury kuchenki mikrofalowej

Polecenie	Ekran	Moc mikrofal
1	PL10	100%
2	PL8	80%
3	PL5	50%
4	PL3	30%


5	PL1	10%
---	-----	-----

4.3 Pieczenie na grillu lub gotowanie w trybie mieszanym

1. Naciśnij przycisk , a na ekranie LED wyświetli się „G”. Naciskaj ponownie przycisk , aby wybrać żądaną moc.

Za każdym razem, kiedy naciśniesz przycisk, odpowiednio pojawią się wartości „C-1”, „C-2”, „C-3” lub „C-4”.


2. Aby ustawić czas gotowania na wartość między 0:05 i 95:00.

3. Naciśnij ponownie  (Start/+30 Sec./Confirm), aby zacząć gotowanie.




Przykład: Jeśli chcesz użyć Combi (MWO+Grill) (C-2), aby gotować przez 10 minut, można użyć piekarnika w następujących krokach.

1. Naciśnij raz przycisk , a na ekranie LED wyświetli się „G”.

2. Naciśnij ponownie przycisk , aby wybrać tryb Combination 2.

3. Obracaj pokrętkę , aby dopasować czas gotowania, aż wyświetli się „10:00”.

4. Naciśnij  (Start/+30 Sec./Confirm), aby zacząć gotowanie.

4 Obsługa

4.3.1 Instrukcje korzystania z klawiatury (grill/tryb mieszany)

Polecenie	Ekran	Moc mikrofal	Grill Moc	Termoobieg
1	C-1	●		●
2	C-2	●	●	
3	C-3		●	●
4	C-4	●	●	●








Kiedy upłynie połowa czasu grillowania, rozlegnie się dwukrotny sygnał - jest to normalne. Aby osiągnąć lepszy wynik grillowania, obróć pokrętko potrawę, zamknij drzwiczki, a następnie naciśnij przycisk (Start/+30Sec./Confirm), aby kontynuować gotowanie. Jeśli nic nie zrobisz, gotowanie będzie kontynuowane.

4.4 Termoobieg

4.4.1 Gotowanie z termoobiegiem (z funkcją podgrzewania)

Gotowanie z termoobiegiem pozwala gotować potrawy tak, jak w tradycyjnym piekarniku. Nie używa się mikrofalówki. Zaleca się, aby przed umieszczeniem potrawy w piekarniku podgrzać go do odpowiedniej temperatury.

1. Jednokrotnie naciśnij przycisk „” („Convection/ Termoobieg”), a wyświetli się „130°C”.
2. Aby wybrać funkcję termoobiegu naciskaj „” („Convection/ Termoobieg”) raz po raz. Gdy wyświetla się temperatura termoobiegu, oznacza to funkcję termoobiegu. Temperaturę tę można wybierać z zakresu od 130 do 220 stopni.




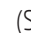
3. Naciśnij „” („Start/+30 Sec./Confirm”), aby rozpocząć podgrzewanie. Gdy osiągnie się temperaturę podgrzewania, odzywa się brzęczyk, aby przypomnieć, że czas włożyć potrawę do piekarnika. A temperatura podgrzewania wyświetla się i miga.
4. Włóż potrawę do piekarnika i zamknij drzwiczki. Obróć pokrętko „”, aby nastawić czas gotowania. (Czas ten można nastawić na maks. 95 minut.)
5. Naciśnij przycisk „” (Start/+30 Sec./Confirm), aby zacząć gotowanie.






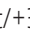
Czas gotowania nie można zmienić do czasu osiągnięcia temperatury podgrzewania. Gdy się ją osiągnie, aby zmienić ustawienie czasu gotowania, drzwiczki muszą być otwarte.

Jeśli przez 5 minut nie nastawi się tego czasu, piekarnik zatrzyma podgrzewanie. Brzęczyk odezwie się pięć razy i powróci w stan oczekiwania.


4.4.2 Gotowanie z termoobiegiem (Bez funkcji podgrzewania)

1. Jednokrotnie naciśnij przycisk „” („Convection/ Termoobieg”), a wyświetli się „130°C”.
2. Aby wybrać funkcję termoobiegu naciskaj „” („Convection/ Termoobieg”) raz po raz. Gdy wyświetla się temperatura termoobiegu, oznacza to funkcję termoobiegu. Temperaturę tę można wybierać z zakresu od 130 do 220 stopni.
3. Obróć pokrętko „”, aby nastawić czas gotowania. (Czas ten można nastawić na maks. 95 minut.)
4. Naciśnij przycisk „” (Start/+30 Sec./ Confirm), aby zacząć gotowanie.



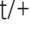
4.5 Szybki start

1. W trybie wstrzymania naciśnij „” (Start/+30Sec./Confirm), aby zacząć gotowanie ze 100% mocy mikrofal. Za każdym razem kiedy naciśniesz przycisk, czas gotowania będzie wzrastał w krokach co 30 sekund do osiągnięcia 95 minut.
2. W przypadku gotowania w trybie kuchenki mikrofalowej, grillowania, trybie mieszanym lub rozmrażania według czasu, czas gotowania będzie wzrastał o 30 sekund za każdym razem, kiedy naciśniesz „” (Start/+30 Sec./Confirm).
3. W trybie wstrzymania obróć pokrętko „” w kierunku przeciwnym do ruchu wskazówek zegara, aby zacząć gotowanie ze 100% mocy mikrofal i naciśnij „” (Start/+30 Sec./ Confirm), aby zacząć gotować.






W trybie automatycznego menu i rozmrażania według wagi naciśnięcie przycisku „” (Start/+30Sec./ Confirm) nie wydłuży czasu gotowania.

4.6 Rozmrażanie według wagi




1. Jednokrotnie naciśnij „” (Rozmrażanie”).
2. Obróć pokrętko „”, aby wybrać wagę potrawy - od 100 do 2000 g.
3. Naciśnij „” (Start/+30 Sec./Confirm), aby zacząć rozmrażanie.

4.7 Rozmrażanie według czasu

1. Naciśnij raz przycisk „” (Thawing).
2. Obróć pokrętko „”, aby wybrać czas rozmrażania. Maksymalny czas wynosi 95 minut.
3. Naciśnij „” (Start/+30 Sec./Confirm), aby zacząć rozmrażanie. Moc rozmrażania to P30 nie może zostać zmieniona.

4.8 Czasomierz kuchenny (licznik)

Kuchenka jest wyposażona w automatyczny licznik, który nie jest powiązany z jej funkcjami i można go używać w kuchni osobno (można go nastawić na maks. 95 minut).

1. Naciśnij raz przycisk „” (Kitchen Timer/ Clock), a na ekranie LED wyświetli się 0:00.
2. Obróć pokrętko „”, aby ustawić prawidłowy czas.
3. Naciśnij przycisk „” (Start/+30Sec./ Confirm), aby potwierdzić ustawienie.





4. Kiedy odliczanie dojdzie od podanego czasu do 0:00, rozlegnie się pięciokrotny sygnał. Jeśli ustawiona jest godzina (zegar 24-godzinny), aktualny czas jest wyświetlany na ekranie LED.

Naciśnij przycisk „” (Stop/Cancel), aby zatrzymać czasomierz w dowolnym momencie.



Funkcje czasomierza kuchennego inne niż zegar 24-godzinny. Czasomierz kuchenny to po prostu czasomierz.

4.9 Menu automatyczne

1. Obróć pokrętkę „” w kierunku zgodnym z ruchem wskazówek zegara, aby wybrać żądane menu. Menu wybiera się z zakresu od „AC01” do „AC10”.
2. Naciśnij przycisk „” (Start/+30Sec./Confirm), aby potwierdzić.
3. Obróć pokrętkę „”, aby wybrać domyślną wagę zgodnie z tabelą menu.
4. Naciśnij „” (Start/+30 Sec./Confirm), aby zacząć gotowanie.

4 Obsługa

4.9.1 Menu gotowania automatycznego

Menu	Waga	Ekran
AC01 Pizza	200 g	200 g
	300 g	300 g
	400 g	400 g
AC02 Mięso	150 g	150 g
	300 g	300 g
	450 g	450 g
	600 g	600 g
AC03 Warzywa	150 g	150 g
	350 g	350 g
	500 g	500 g
AC04 Makaron	50 g (z 450 ml zimnej wody)	50 g
	100 g (z 800 ml zimnej wody)	100 g
	150 g (z 1200 ml zimnej wody)	150 g
AC05 Ziemniaki	475 g	475 g
AC06 Ryby	1 szklanka (230g)	1
	2 szklanki (460g)	2
	3 szklanki (690g)	3
AC07 Napoje	150 g	150 g
	250 g	250 g
	350 g	350 g
	450 g	450 g
	650 g	650 g
AC08 Napoje	1 szklanka (120 ml)	1
	2 szklanki (240 ml)	2
	3 szklanki (360 ml)	3
AC09 Popcorn	50 g	50
	100 g	100
AC10 Kurczak	500g	500g
	750g	750g
	1000g	1000g
	1200g	1200g

4.10 Gotowanie wieloetapowe

W przypadku gotowania można ustawić maksymalnie dwa kroki. Jeśli w przypadku gotowania wieloetapowego jednym z kroków jest rozmrażanie, musi być ono pierwszym krokiem.



Jeśli chcesz rozmrażać potrawę przez 5 minut, a następnie gotować ją przez 7 minut z mocą 80%, wykonaj następujące kroki:

1. Naciśnij raz przycisk (Thawing by time).
2. Obracaj pokrętkę „”, aby wybrać czas rozmrażania, aż na ekranie wyświetli się „5:00”.
3. Naciśnij przycisk (Microwave) raz, a na ekranie LED wyświetli się „PL10”.
4. Naciśnij jeszcze raz przycisk (Microwave), aby ustawić moc na 80%.
5. Obracaj pokrętkę „”, aby dopasować czas gotowania, aż wyświetli się „7:00”.
6. Naciśnij przycisk „” (Start/+30Sec./Confirm), aby zacząć gotowanie. Rozlegnie się pojedynczy dźwięk dla pierwszego kroku i rozpocznie się odliczanie czasu rozmrażania. W momencie przejścia do drugiego kroku gotowania dźwięk rozlegnie się ponownie. Kiedy gotowanie zakończy się, dźwięk rozlegnie się pięciokrotnie.

4.11 Funkcja zapytania

1. W trybie mikrofal, grillowania i trybie mieszanym naciśnij przycisk (Microwave) lub (Grill/Combination), a na 3 sekundy wyświetli się aktualny poziom mocy. Po 3 sekundach kuchenka powróci do poprzedniego trybu.
2. Podczas gotowania naciśnij przycisk „” (Kitchen Timer/Clock), a na 3 sekundy wyświetli się aktualna godzina.

4.12 Blokada zabezpieczająca przed dziećmi

1. **Blokowanie:** W trybie wstrzymania przytrzymaj wciśnięty przycisk (Stop/Cancel) przez 3 sekundy, a rozlegnie się pojedynczy dźwięk, oznaczający że włączona jest blokada zabezpieczająca przed dziećmi. Jeśli ustawiona jest już godzina, wyświetli się także aktualny czas; w przeciwnym razie na ekranie LED wyświetli się 0:00.
2. **Odblokowywanie:** Aby wyłączyć blokadę zabezpieczającą przed dziećmi, przytrzymaj wciśnięty przycisk (Stop/Cancel) przez 3 sekundy, a rozlegnie się długi pojedynczy dźwięk, oznaczający że ta blokada została wyłączona.

4.13 Otwieranie drzwiczek kuchenki

Naciśnij przycisk (Open door), a otworzą się drzwiczki kuchenki.

5.1 Czyszczenie



OSTRZEŻENIE: Do czyszczenia urządzenia nie wolno używać benzyny, rozpuszczalnika, ściernych środków czyszczących, metalowych przedmiotów ani twardych szczotek.



OSTRZEŻENIE: Nigdy nie wolno zanurzać urządzenia ani jego kabla zasilającego w wodzie ani w żadnym innym płynie.

1. Wyłącz urządzenie i wyjmij wtyczkę z gniazdka.
2. Poczekaj, aż urządzenie całkiem ostygnie.
3. Zadbaj, aby wewnątrz kuchenki było czyste. Wycieraj wilgotną ściereczką ścianki kuchenki, jeśli zostaną zachlapanie jedzeniem lub rozlanymi płynami. Jeśli kuchenka jest bardzo brudna, możesz użyć łagodnego detergentu. Unikaj używania sprayów i innych ostrych środków czyszczących, ponieważ mogą one spowodować powstanie plam, śladów i odbarwień na powierzchni drzwiczek.
4. Zewnętrzne powierzchnie kuchenki należy czyścić wilgotną ściereczką. Dbaj, aby przez otwory wentylacyjne woda nie dostała się do wnętrza, aby zapobiec uszkodzeniu części eksploatacyjnych kuchenki.
5. Często przecieraj wilgotną ściereczką obydwie strony drzwiczek i szklaną tackę, uszczelki drzwiczek i części w pobliżu uszczelek, aby usunąć ślady po rozlaniu i zachlapaniu. Nie używaj ściernych środków czyszczących.
6. Nie zamocz panelu sterowania. Urządzenie czyść wilgotną, miękką ściereczką. Czyszcząc panel sterowania, zostaw otwarte drzwiczki, aby zapobiec przypadkowemu włączeniu.
7. Jeśli od wewnętrznej strony drzwiczek lub w ich pobliżu zbierze się para, zetrzyj ją miękką ściereczką. Para może się pojawić, jeśli kuchenka mikrofalowa działa w warunkach dużej wilgotności. Jest to normalne zjawisko.
8. W niektórych przypadkach możesz musieć wyjąć szklaną tackę do czyszczenia. Umyj tackę w ciepłej wodzie z płynem lub w zmywarce.
9. Należy regularnie czyścić pierścień obrotowy i spód kuchenki, aby zapobiec nadmiernej hałasowi. Wystarczy przetrzeć dolną powierzchnię kuchenki łagodnym detergentem. Pierścień obrotowy można myć w ciepłej wodzie z płynem lub w zmywarce. Jeśli wyjmiesz pierścień obrotowy ze spodu kuchenki do czyszczenia, koniecznie zamontuj do z powrotem w odpowiednim położeniu.
10. Aby usunąć brzydkie zapachy z kuchenki, do głębokiej miski, odpowiedniej do używania w kuchenke mikrofalowej, wlej szklaną wodę, sok i skórkę z cytryny i włącz kuchenkę na 5 minut w trybie mikrofal. Następnie dokładnie wytrzyj wewnątrz do sucha miękką ściereczką.
11. Jeśli żarówka w kuchenke wymaga wymiany, skontaktuj się z autoryzowanym serwisem.
12. Kuchenkę należy czyścić regularnie i usuwać wszelkie pozostałości po żywności. Jeśli kuchenka nie jest utrzymywana w czystości, mogą wystąpić uszkodzenia powierzchni, które negatywnie wpłyną na żywotność urządzenia i które mogą spowodować zagrożenia.
13. Nie wyrzucaj tego urządzenia z odpadami domowymi; stare kuchenki należy oddawać do specjalnych punktów zbiórki prowadzonych przez samorządy.
14. Jeśli kuchenka mikrofalowa jest używana w funkcji grillowania, może pojawić się niewielka ilość dymu i zapach, które znikną po pewnym czasie używania.

5.2 Przechowywanie

- Jeśli nie zamierzasz używać urządzenia przez dłuższy czas, należy je starannie przechować.
- Upewnij się, że urządzenie jest odłączone od zasilania, ostygło i jest całkiem suche.
- Przechowuj urządzenie w chłodnym i suchym miejscu.
- Urządzenie należy chronić przed dostępem dzieci.

6 Rozwiązywanie problemów

Normalne	
Kuchenka mikrofalowa zakłóca odbiór TV.	Odbiór radia i telewizji może być zakłócony w czasie działania kuchenki mikrofalowej. Jest to podobne do zakłóceń powodowanych przez małe urządzenia elektryczne, jak mikser, odkurzacz i wentylator. Jest to normalne zjawisko.
Światło w kuchence jest przyćmione	W przypadku gotowania z użyciem niskiej mocy światło w kuchence może być przyćmione. Jest to normalne zjawisko.
Na drzwiach zbiera się para, z otworów wentylacyjnych wydobywa się gorące powietrze	Podczas gotowania potrawy mogą parować. Większość tej pary wydobędzie się przez otwory wentylacyjne. Część może jednak zebrać się w chłodnym miejscu, jak drzwiczki kuchenki. Jest to normalne zjawisko.
Kuchenka uruchomiona przypadkowo bez produktów spożywczych wewnątrz.	Nie wolno uruchamiać urządzenia bez produktów spożywczych wewnątrz. Jest to bardzo niebezpieczne.

Problem	Prawdopodobna przyczyna	Rozwiązanie
Nie można włączyć kuchenki.	(1) Kabel zasilający nie jest poprawnie włożony do gniazdka.	Wymij wtyczkę z gniazdka. Włóż ją z powrotem po 10 s.
	(2) Bezpiecznik się przepalił lub został uruchomiony wyłącznik z bezpiecznikiem.	Wymień bezpiecznik lub zresetuj wyłącznik z bezpiecznikiem (naprawiony przez fachowy personel naszej firmy).
	(3) Problem z gniazdkiem.	Przetestuj gniazdko z innymi urządzeniami elektrycznymi.
Kuchenka nie grzeje.	(4) Drzwiczki nie są prawidłowo zamknięte.	Zamknij prawidłowo drzwiczki.
Szklany talerz obrotowy hałasuje, kiedy kuchenka działa.	(5) Talerz obrotowy i spód kuchenki jest brudny.	Wskazówki na temat czyszczenia zabrudzonych części patrz rozdział „Czyszczenie i konserwacja”.
Kuchenka wyświetla błąd E-3 i nie działa (model MGB 25333 BG)	(6) Drzwiczki kuchenki nie otwierają się (z powodu przeszkody na przedzie drzwiczek, niskiego napięcia itp.)	Wymij wtyczkę z gniazdka. Włóż ją z powrotem po 10 s.




Najskôr si prečítajte túto používateľskú príručku!

Drahý zákazník,

Ďakujeme vám, že ste si vybrali produkt značky Beko. Dúfame, že dosiahnete najlepšie výsledky so svojim produktom, ktorý sa vyrobil s vysokou kvalitou a najmodernejšou technológiou. Z tohto dôvodu si pred použitím produktu pozorne prečítajte celú túto používateľskú príručku a všetky ostatné sprievodné dokumenty a uschovajte ich pre referenciu do budúcnosti. Ak produkt dáte niekomu inému, dajte mu tiež používateľskú príručku. Dodržujte všetky varovania a informácie v používateľskej príručke.

Význam symbolov

V rôznych častiach tohto návodu na použitie sú použité nasledujúce symboly:

	Dôležité informácie o užitočných tipoch na použitie.
	Upozornenie na nebezpečné situácie týkajúce sa ohrozenia života a majetku.
	Upozornenie na horúce povrchy.



Tento produkt bol vyrobený v ekologicky šetrných a moderných zariadeniach bez poškodenia prírody.

Tento spotrebič spĺňa smernice WEEE.



Neobsahuje PCB.

OBSAH

1 Dôležité bezpečnostné pokyny a pokyny týkajúce sa životného prostredia	134
1.1 Všeobecná bezpečnosť.....	134
1.1.1 Elektrická bezpečnosť.....	135
1.1.2 Bezpečnosť produktu.....	137
1.2 Zamýšľané použitie.....	137
1.3 Bezpečnosť detí.....	138
1.4 Zhoda so smernicou WEEE a likvidácia produktov	139
1.5 Informácie o balení	139
2 Vaša mikrovlnná rúra	140
2.1 Prehľad.....	140
2.1.1. Ovládanie a časti	140
2.1.2. Technické údaje	140
2.1.3 Inštalácia otočného taniera	141
3 Inštalácia a zapojenie	142
3.1 Inštalácia a zapojenie.....	142
3.2 Vstavaná inštalácia	143
3.2.1 Rozmery nábytku pre vstavanú inštaláciu.....	143
3.2.2 Príprava skrine.....	144
3.2.3 Pripevnenie rúry.....	145
3.3 Rádiové rušenie.....	146
3.4 Zásady varenia v mikrovlnnej rúre.....	146
3.5 Pokyny na uzemnenie.....	146
3.6 Test kuchynského náčinia	146
4 Obsluha	148
4.1 Ovládací panel	148
4.2 Pokyny na prevádzku	148
4.2.1 Nastavenie času	148
4.2.2 Varenie s mikrovlnou rúrou.....	148
4.2.3 Pokyny ku klávesnici mikrovlnnej rúry....	149
4.3 Varenie s grilom alebo kombinovaným režimom.....	149
4.3.1 Pokyny ku klávesnici (Gril / Kombinácia).....	150
4.4.1 Konvečné varenie (s funkciou predohriatia)	150
4.5 Rýchly štart	151
4.6 Rozmrazovanie	151
4.6.1 Rozmrazovanie podľa hmotnosti.....	151
4.6.2 Rozmrazovanie podľa času	151
4.7 Minútka (odpočítavanie).....	151
4.8 Automatické menu	152
4.8.1 Menu automatického varenia	152
4.9 Varenie vo viacerých krokoch	153
4.10 Funkcia radenia.....	154
4.11 Detský zámok.....	154
4.12 Otvorenie dverí rúry	154
5 Čistenie a údržba	155
5.1 Čistenie.....	155
5.2 Skladovanie	155
6 Odstraňovanie problémov	156

1 Dôležité bezpečnostné pokyny a pokyny týkajúce sa životného prostredia

Tento oddiel obsahuje bezpečnostné pokyny, ktoré pomôžu s ochranou pred zranením osôb alebo poškodením majetku, vzniku požiaru, zásahom elektrickým prúdom. Nedodržanie týchto pokynov zruší platnosť záruky.

1.1 Všeobecná bezpečnosť

- Nepokúšajte sa rúru spustiť ak sú dvere otvorené; v takom prípade sa môžete vystaviť škodlivému mikrovlnnému žiareniu. Bezpečnostné zámky nesmie byť rozbité alebo zablokované.
- Nevkladajte žiadny predmet medzi prednú stranu a dvere rúry. Nedovoľte, aby sa na povrchu udržali nečistoty alebo zvyšky čistiacich prostriedkov.
- Akékoľvek servisné práce zahŕňajúce vybratie krytu, ktorý zabezpečuje ochranu pred vystavením sa mikrovlnnému žiareniu musí vykonať autorizovaný servis. Akýkoľvek iný prístup je nebezpečný.
- Váš produkt je určený na varenie, ohrievanie a rozmrazovanie potravín v domácnosti. Nesmie byť používaný na komerčné účely. Výrobca nenesie zodpovednosť za škody spôsobené zlým používaním.
- Tento spotrebič nepoužívajte vonku, v kúpeľni, vo vlhkom prostredí alebo na miestach, kde môže zvlhnúť.
- Nie je možné uplatniť žiadnu záruku ani požadovať plnenie za zodpovednosť za škody vyplývajúce zo zlého použitia alebo nesprávnej manipulácie so spotrebičom.
- Nikdy sa nepokúšajte spotrebič demontovať. Na škody spôsobené nesprávnou manipuláciou sa nevzťahuje záruka.
- Používajte len originálne časti odporúčané výrobcom.
- Nenechávajte spotrebič bez dozoru, pokiaľ je v prevádzke.
- Spotrebič vždy používajte na stabilnom, rovnom, čistom a suchom povrchu.
- Tento spotrebič nesmie byť používaný s externým časovačom alebo samostatným systémom diaľkového ovládania.
- Než spotrebič použijete prvýkrát, vyčistite všetky časti. Prečítajte si údaje v časti "Čistenie a starostlivosť".
- Spotrebič používajte iba na určený účel, ako je popísané v tomto návode.

1 Dôležité bezpečnostné pokyny a pokyny týkajúce sa životného prostredia

- Na tento spotrebič nepoužívajte abrazívne chemikálie ani páru. Táto rúra je určená predovšetkým na varenie a ohrievanie potravín. Nie je určená na priemyselné alebo laboratórne použitie.
- Spotrebič nepoužívajte na sušenie oblečenia alebo utierok.
 - Spotrebič sa pri používaní veľmi zahreje. Dajte pozor, aby ste sa nedotkli horúcich častí v rúre.
 - Vaša rúra nie je navrhnutá na sušenie žiadnych živých stvorení.
 - Rúru nespúšťajte prázdnu.
 - Kuchynské náčinie sa môže z dôvodu tepla preneseného z ohriateho jedla na náčinie zahriať. Pri prenášaní náčinie môžete potrebovať chňapku.
 - Kuchynské náčinie je potrebné skontrolovať, aby sa zabezpečilo, že je vhodné na použitie v mikrovlnných rúrach.
 - Rúru nekladte na žiadny spotrebič generujúce teplo. V opačnom prípade môže dôjsť k poškodeniu a zrušeniu platnosti záruky.
 - Mikrovlnná rúra nesmie byť umiestnená do skrine, ktorá nezodpovedá pokynom na inštaláciu.
 - Počas otvorenia krytu alebo fólie zakrývajúcej jedlo môže po uvarení jedla vychádzať para.
 - Pri vyberaní ohriateho jedla používajte chňapky.
 - Spotrebič a jeho dostupné povrchy sa môžu počas používania veľmi zahriať.
 - Dvere a vonkajšie sklo sa môžu počas používania spotrebiča veľmi zahriať.

1.1.1 Elektrická bezpečnosť

- Mikrovlnná rúra Beko spĺňa platné bezpečnostné štandardy, v prípade akéhokoľvek poškodenia spotrebiča alebo napájacieho kábla musí byť vykonaná oprava alebo výmena predajcom, servisným centrom alebo odborníkom z autorizovaného servisu, čím sa predíde poškodeniu Chybná alebo neodborná oprava môže spôsobiť nebezpečenstvo a riziko pre užívateľa.
- Skontrolujte, či vaša napájanie zodpovedá informáciám uvedeným na štítku spotrebiča. Jediný spôsob, ako odpojiť zariadenie od zdroja napájania, je odpojiť napájací adaptér.

1 Dôležité bezpečnostné pokyny a pokyny týkajúce sa životného prostredia

- Spotrebič zapájajte iba do uzemnenej zásuvky.
- Nikdy nepoužívajte spotrebič, ak je poškodený napájací kábel alebo spotrebič.
- Pre prácu so spotrebičom nepoužívajte predlžovací kábel.
- Nikdy nesiahajte na spotrebič alebo zástrčku mokrými alebo vlhkými rukami.
- Spotrebič umiestnite tak, aby bola zástrčka vždy prístupná.
- Zabráňte poškodeniu napájacieho kábla, zabráňte jeho zatlačení, ohnutie alebo odieraniu o ostré hrany. Napájací kábel udržiajte mimo horúce povrchy a otvorený oheň.
- Uistite sa, že neexistuje žiadne nebezpečenstvo, že by bol napájací kábel náhodne vytiahnutý alebo že by o neho mohol niekto počas používania zakopnúť.
- Spotrebič odpojte pred každým čistením a v prípade, že ho nepoužívate.
- Pri odpojení z napájacej siete za napájací kábel spotrebiča neťahajte a nikdy ho neovíjajte okolo spotrebiča.
- Spotrebič, napájací kábel alebo zástrčku neponárajte do vody ani iných kvapalín. Nedržte pod tečúcou vodou.
- Počas ohrievania potravín v plastových alebo papierových nádobách rúru z dôvodu možnosti vznietenia často kontrolujte.
- Kým vrečka s potravinami vložíte do mikrovlnnej rúry, odstráňte kovové sponky a / alebo iné časti.
- Ak spozorujete dym, spotrebič vypnite alebo ho odpojte, dvere nechajte zatvorené, aby ste predišli vznieteniu.
- Vnútorňá časť rúry nepoužívajte ako úložný priestor. Keď sa rúra nepoužíva, nenechávajte v nej žiadne papiere, materiál na varenie ani potraviny.
- Obsah dojčenských fliaš a fľaštičiek s detskou výživou treba pred použitím premiešať alebo s nimi zatrepať, aby ste tak predišli popáleninám.

- Tento spotrebič spadá do skupiny 2 triedy B zariadenia ISM. Skupina 2 obsahuje všetky ISM zariadenia (priemyselné, vedecké a lekárske), ktoré generuje vysokofrekvenčnú energiu a/alebo sa používa vo forme elektromagnetického žiarenia pre ošetrovanie materiálu a elektro zariadení.
- Zariadenie triedy B je vhodné na použitie v domácom prostredí priamo pripojenom k napájacej sieti s nízkym napätím.
- Dvere alebo vonkajší povrch spotrebiča sa môže počas používania veľa zahriať.
- Potraviny so šupkou ako sú zemiaky, cukety, jablká a gaštany prepichnete.
- Spotrebič musí byť umiestnený tak, aby jeho zadná časť smerovala ku stene.
- Ak sú dvierka alebo tesnenie dvierok poškodené, rúra nesmie byť používaná kým nebude opravená kompetentnou osobou.
- Kým spotrebič vyberiete, zaistíte otočný tanier, aby ste predišli jeho poškodeniu.
- Mikrovlnnú rúru nepoužívajte na varenie alebo ohrievanie vajčiek, sa škruhinou alebo bez nej.
- Nikdy neskladajte časti v zadnej časti a po stranách spotrebiče, ktoré chránia minimálnej vzdialenosti medzi stenami skrine a spotrebičom, aby ste tak zaistili požadovanú cirkuláciu vzduchu.

1.1.2 Bezpečnosť produktu

- Kvapaliny alebo iné potraviny nesmú byť ohrievané v uzavretých nádobách, pretože existuje nebezpečenstvo explózie.
- Ohrievanie nápojov v mikrovlnnej rúre môže spôsobiť, že sú privedené do varu, rozstrekne sa ako náhle sú vyňaté z rúry, preto dávajte pri prenášaní nádob pozor.
- V rúre nič neopekajte. Horúci olej môže poškodiť komponenty a materiály rúry a dokonca môže spôsobiť popálenie kože.

1.2 Zamýšľané použitie

- Mikrovlnná rúra je určená iba na vstavanému použitiu.
- Spotrebič nepoužívajte k ničomu inému než je zamýšľané použitie.
- Spotrebič nepoužívajte ako zdroj tepla.

- Mikrovlnná rúra je určená iba na rozmrazovanie, varenie a dusenie potravín.
- Potraviny nezakrývajte, v opačnom prípade môžete spôsobiť požiar.
- Na čistenie spotrebiča nepoužívajte parné čističe.
- Deťom dovoľte používať rúru bez dozoru ak ste ich zodpovedajúcim spôsobom poučili, teda je dieťa schopné používať mikrovlnnú rúru bezpečne a rozumie nebezpečenstvám plynúcim z nesprávneho použitia.

1.3 Bezpečnosť detí

- Je potrebné venovať pozornosť pri použití v blízkosti detí a osôb so zníženými fyzickými, sensorickými alebo mentálnymi schopnosťami.
- Tento spotrebič môžu používať deti staršie ako 8 rokov a ľudia s obmedzenými fyzickými, sensorickými alebo duševnými schopnosťami alebo ktoré nemajú dostatočné vedomosti a skúsenosti, pokiaľ na ne a bezpečné použitie produktu dospelá osoba alebo ak sú poučení o rizikách spojených s použitím produktu. Deti sa nesmú hrať so spotrebičom. Čistenie a údržba nesmie byť vykonávané deťmi, ak na ne nedohliada staršie osoby.
- Riziko zadusenía! Všetky obaly uchovajte mimo dosahu detí.
- Vzhľadom k nadmernému teplu, ktoré vzniká v režime grilu a kombinovanom režime, nie je dovolené, aby deti tieto režimy používali bez dozoru dospelaj osoby.
- Produkt a jeho napájací kábel udržiajte tak, aby neboli prístupné deťom mladším ako 8 rokov.
- Spotrebič a jeho dostupné povrchy sa môžu počas používania veľmi zahriať. Udržujte deti mimo dosahu.

1.4 Zhoda so smernicou WEEE a likvidácia produktov



Tento produkt neobsahuje škodlivé a zakázané materiály špecifikované v "Smernica ohľadom likvidácie elektrických a elektronických produktov", vydanéj ministerstvom životného prostredia.

Je v súlade s nariadením WEEE. Tento produkt sa vyrobil z vysokokvalitných dielov a materiálov, ktoré sa dajú opätovne použiť a sú vhodné pre recykláciu.

Z tohto dôvodu nelikvidujte produkt na konci jeho životnosti s bežným komunálnym odpadom. Odneste ho na zberné miesto pre recykláciu elektrického a elektronického vybavenia. O informácie o týchto zberných miestach požiadajte miestny úrad. Recykláciou produktov prispievate k ochrane životného prostredia a prírodných zdrojov.

1.5 Informácie o balení

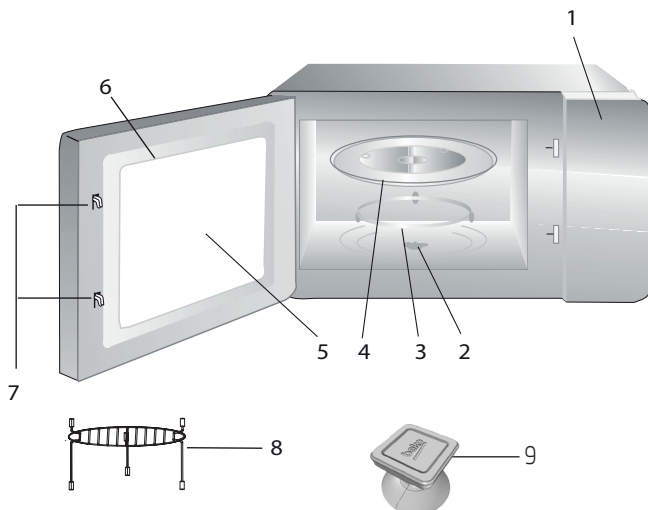


Balenie produktu je vyrobené z recyklovateľných materiálov, v súlade s našou národnou legislatívou. Baliaci materiál nelikvidujte spolu s komunálnym

alebo iným odpadom. Zoberte ho na zberné miesto baliaceho materiálu, ktoré vytvorili miestne úrady.

2 Vaša mikrovlnná rúra

2.1 Prehľad



2.1.1. Ovládanie a časti

1. Ovládací panel
2. Hriadeľ otočného taniera
3. Vzpera otočného taniera
4. Sklenená doska
5. Okno rúry
6. Dvere
7. Bezpečnostný systém zatvárania dverí
8. Gril (len na použitie s funkciou grilu a pri umiestnení na sklenený tácka)
9. Vákuový zdvihač pre manuálne otváranie dverí

2.1.2. Technické údaje

Spotreba	230 V~50 Hz, 1450 W (Mikrovlnná rúra) 2500 W (Konvekčné) 1100 W (Gril)
Výstup	900 W
Prevádzkový kmitočet	2450 MHz
Hodnota ampéra	11.5 A
Externé rozmery	595 x 470 x 388 mm
Vnútorne rozmery rúry	226 x 328 x 346 mm
Kapacita rúry	25 litrov
Čistá hmotnosť	21.0 kg

Označenia uvedené na výrobku alebo hodnoty uvedené v iných dodaných dokumentoch spolu s výrobkom boli získané v laboratórnych podmienkach podľa príslušných noriem. Tieto hodnoty sa môžu líšiť podľa použitia spotrebiča a okolitých podmienok. Hodnoty napájania sú testované pri 230V.

2.1.3 Inštalácia otočného taniera



- Nikdy nekladte sklenený tanier obrátene. Sklenený tanier by nikdy nemal byť obmedzený.
- Počas varenia musia byť vždy použité sklenený tanier a kruh otočného taniera.
- Všetky potraviny a nádoby s potravinami musia byť počas varenia umiestnené na otočnom tanieri.
- Ak sa sklenený tanier alebo zostava rozbije či nalomí, kontaktujte najbližší autorizovaný servis.

3 Inštalácia a zapojenie

3.1 Inštalácia a zapojenie

- Zložte všetky obaly a príslušenstvo. Skontrolujte, či na rúre nie je nejaké poškodenie, napr. Preliačiny alebo rozbitá dvierka. Rúru neinštalujte ak je poškodená.
- Odstráňte ochrannú fóliu, ktorý je na povrchu mikrovlnnej rúry.
- Neskladajte svetlohnedý kryt Mica, ktorý je pripevnený k otvoru rúry a chráni magnetrón.
- Tento spotrebič je určený len pre domáce použitie.
- Táto rúra je určená iba na vstavané použitie. Nie je určená na použitie na kuchynskej linke alebo v skrini.
- Dodržte špeciálne pokyny na inštaláciu.
- Spotrebič je možné nainštalovať do 60 cm širokej skrinky (minimálne 55 cm hlboké a 85 cm od podlahy).
- Spotrebič je vybavený zástrčkou, ktorá musí byť zapojená iba do správne uzemnenej zásuvky.
- Napájacie napätie musí zodpovedať údajom na štítku.
- Je potrebné, aby bola zásuvka nainštalovaná autorizovaným servisom a aby napájací kábel vymenil tiež iba napájací servis. Ak zástrčka nespĺňa potreby inštalácie, všetky zariadenia musia byť na strane inštalácie s medzerou kontakte minimálne 3 mm.
- Nesmú byť používané adaptéry, rozdvojky a predlžovacie káble. Prepätie môže viesť k vzniku požiaru.



Prístupný povrch sa môže počas prevádzky zahriať.

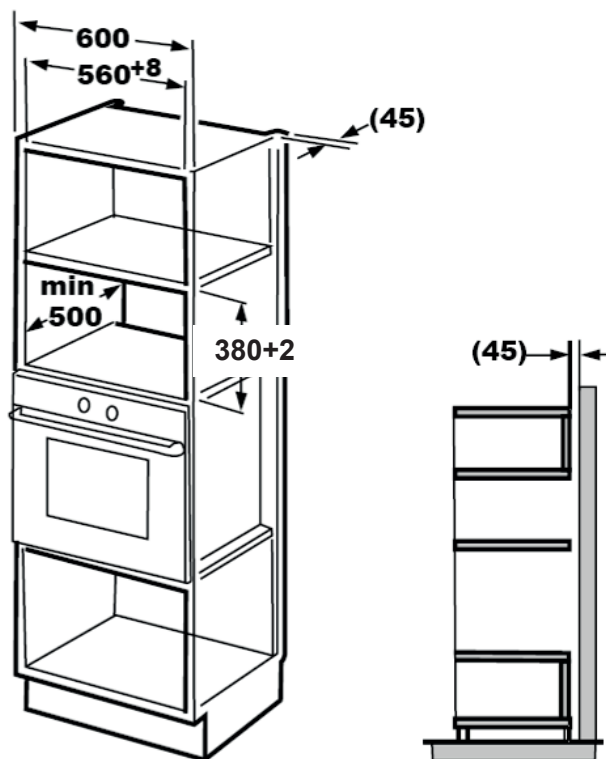


Napájací kábel nepoškodujte ani neohýbajte.

3 Inštalácia a zapojenie

3.2 Vstavaná inštalácia

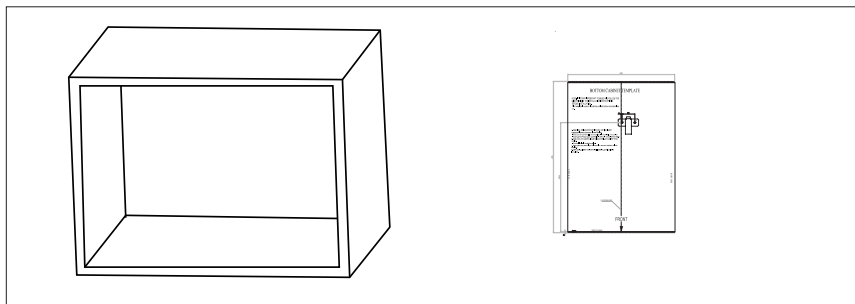
3.2.1 Rozmery nábytku pre vstavanú inštaláciu



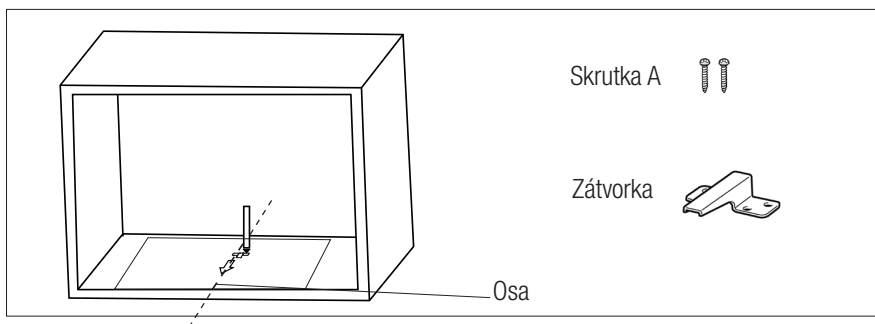
3 Inštalácia a zapojenie

3.2.2 Príprava skrine

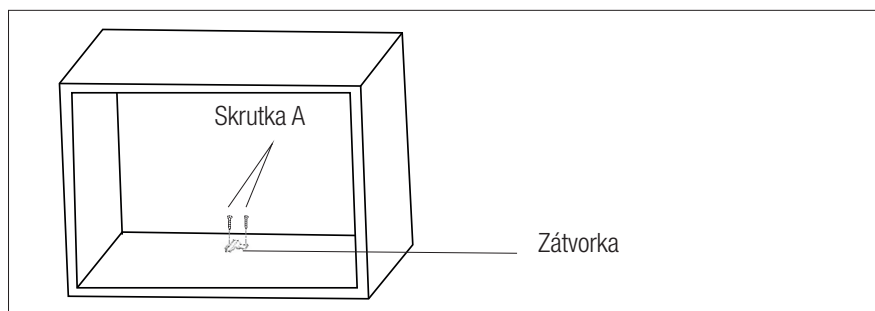
1. Prečítajte si pokyny v spodnej časti skrine a umiestnite šablónu na spodnú dosku.



2. Na spodnej doske skrine vyznačte podľa šablóny značky "a".



3. Vyberte spodnú šablónu skrine a vzperu upevníte pomocou skrutky A.

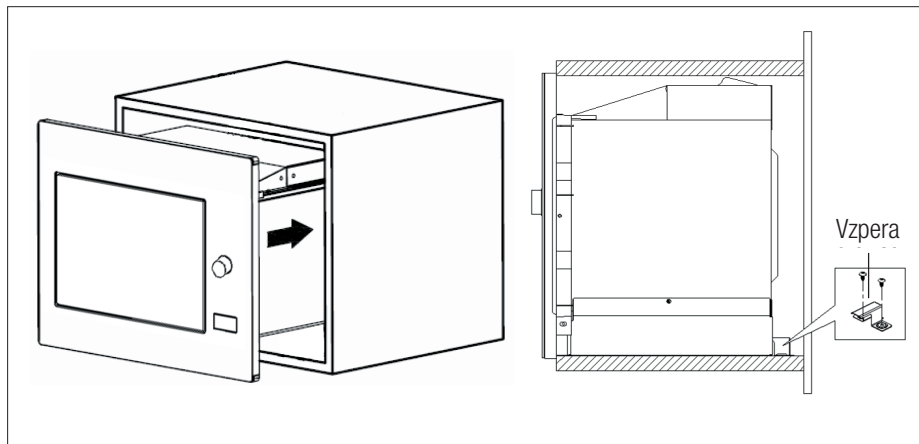


3 Inštalácia a zapojenie

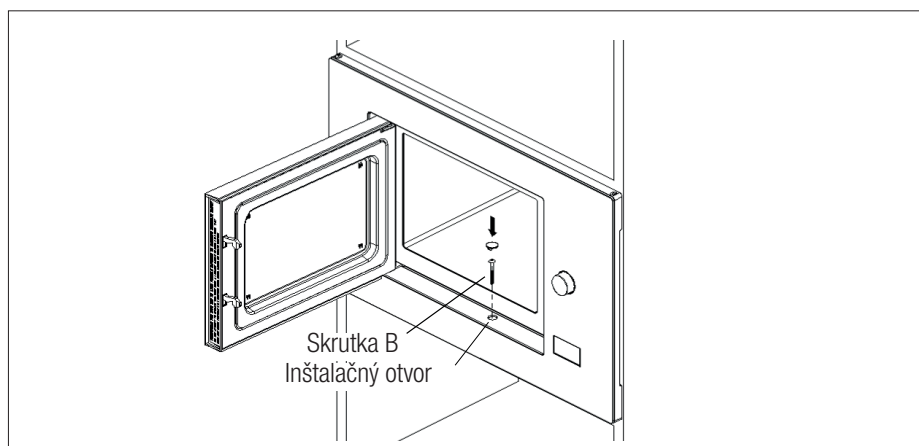
3.2.3 Pripevnenie rúry

1. Rúru nainštalujte do skrine.

- Uistite sa, či je zadná časť rúry uchytená vzperou.
- Napájací kábel neohýbajte ani nepoškodujte.



2. Otvorte dvere, rúru ku skriní pripevníte skrutkou B, ktorý prestrčíte inštalačnom otvorom. Potom na inštalačný otvor pripevníte plastový kryt.



3 Inštalácia a zapojenie

3.3 Rádiové rušenie



Prevádzka mikrovlnnej rúry môže rušiť príjem rádioprijímačov, TV a podobných spotrebičov.

- Rúru umiestnite čo najďalej od rozhlasových a televíznych prijímačov. Prevádzka mikrovlnnej rúry môže spôsobiť rušenie rozhlasového alebo televízneho príjmu. 2. Rúru zapojte do bežnej zásuvky. Skontrolujte, či je napätie a frekvencia rovnaké hodnoty ako napätie a frekvencia na štítku.
- V prípade rušenia ho možné znížiť alebo eliminovať ak vykonáte nasledovné postupy:
- Vyčistite dvere a tesnenia rúry.
- Znovu nastavte smer antény rádia alebo TV.
- Podľa umiestnenia prijímača rúru premiestnite.
- Mikrovlnnú rúru umiestnite mimo dosahu prijímača.
- Mikrovlnnú rúru zapojte do inej zástrčky, tak bude mikrovlnná rúra a prijímač na iných linkách.

3.4 Zásady varenia v mikrovlnnej rúre

- Starostlivo pripravte potraviny. Zostávajúce časti dajte bokom.
- Dajte pozor na dĺžku varenia. Varte čo najkratšie uvedenú dobu a v prípade potreby pridajte ďalší čas. Prevarené jedlo môže fajčiť alebo sa spáliť.
- Počas varenia jedlo zakryte. Zakrytie jedla zabráni rozstreknutiu a pomáha zaistiť to, aby sa jedlo uvarilo rovnomerne.
- Jedlo ako je hydina alebo hamburger počas varenia v mikrovlnnej rúre otočte, aby ste varenie takého druhu jedla urýchlili. Väčšie potraviny, napr. pečienku, musia byť otočené minimálne raz.
- Jedlo ako sú napríklad mäsové guľky otočte počas varenia a premiestnite ich na tanieri, z vnútornej časti na okraj.

3.5 Pokyny na uzemnenie

Tento spotrebič musí byť uzemnený. Táto rúra má uzemňovací kábel s uzemnenú zástrčkou. Spotrebič musí byť zapojený do zásuvky, ktorá je riadne nainštalovaná a uzemnená. Uzemňovací systém umožní zapojenie v prípade skratu a zníži riziko úrazu v dôsledku zásahu elektrickým prúdom. Odporúčame používať elektrický okruh určený pre rúru. Prevádzka pri vysokom napätí je nebezpečná a môže spôsobiť požiar alebo iné nehody, ktoré by mohli spôsobiť poškodenie rúry.



VAROVANIE: Zlé použitie uzemňovacej zástrčky môže spôsobiť úraz elektrickým prúdom.



Ak máte akékoľvek otázky týkajúce sa uzemnenia a pokynov, obráťte sa na kvalifikovaného elektrikára alebo zamestnanca servisu.



Výrobca a/alebo predajca neponejú žiadnu zodpovednosť za zranenia alebo škody na rúre, ku ktorým mohlo dôjsť v dôsledku nedodržania postupu elektrického zapojenia.

3.6 Test kuchynského náčinia

Mikrovlnnú rúru nikdy nespúšťajte prázdnu. Jedinou výnimkou je test kuchynského náčinia popísaný v nasledujúcej časti. Niektoré nekovové kuchynské náčinie nemusia byť vhodné na použitie v mikrovlnnej rúre. Ak si nie ste istí, či je náradie vhodné na použitie v mikrovlnnej rúre, môžete vykonať nasledujúci test.

1. Prázdne náčinie, ktoré chcete otestovať, vložte do mikrovlnnej rúry spolu s pohárom vhodnú do mikrovlnnej rúry, ktorá je naplnená 250 ml vody.
2. Mikrovlnnú rúru spustite maximálne na 1 minútu.

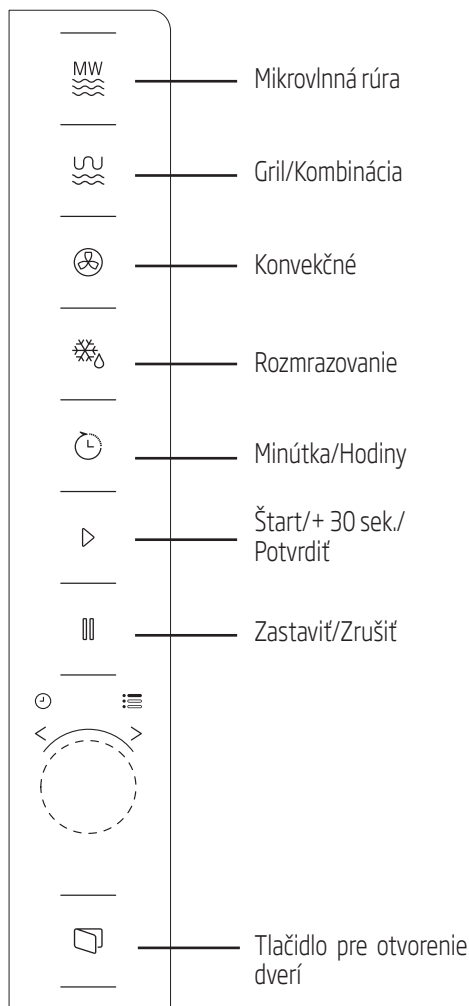
3 Inštalácia a zapojenie

3. Starostlivo skontrolujte teplotu testovaného náčinia. Ak sa zahrialo, nie na použitie v mikrovlnnej rúre vhodné.
4. Nikdy neprekračujte limit 1 minúty. Ak si počas 1 minúty všimnete praskanie, mikrovlnnú rúru zastavte. Náčinie, ktoré praská, nie na použitie v mikrovlnnej rúre vhodné.

Nasledujúci zoznam je všeobecný sprievodca, ktorý vám pomôže s výberom správneho náčinia.

Kuchynské náčinie	Mikrovlnná rúra	Gril	Kombinácia
Žiaruvzdorné sklo	Áno	Áno	Áno
Sklo, ktoré nie je žiaruvzdorné	Nie	Nie	Nie
Žiaruvzdorná keramika	Áno	Áno	Áno
Plastový riad vhodný do mikrovlnnej rúry	Áno	Nie	Nie
Papierový riad	Áno	Nie	Nie
Kovový zásobník	Nie	Áno	Nie
Kovový rošt	Nie	Áno	Nie
Hliníková fólia	Nie	Áno	Nie
Penový materiál	Nie	Nie	Nie

4.1 Ovládací panel



4.2 Pokyny na prevádzku

4.2.1 Nastavenie času

Keď je mikrovlnná rúra zapojená do siete, na LED displeji sa zobrazí "0:00" a ozve sa pípnutie bzučiaka.

1. Dvakrát stlačte (Minútka/Hodiny) a čísla hodín začnú blikať.
2. Otočte a nastavte hodiny; vstupná hodnota musí byť medzi 0 a 23.
3. Stlačte (Minútka/Hodiny) a čísla minút začnú blikať.
4. Otočte a nastavte minúty; vstupná hodnota musí byť medzi 0 a 59.
5. Stlačte (Minútka/Hodiny) a nastavenie času tak dokončíte. Symbol ":" sa rozblíkajú a čas sa rozsvieti.







Ak počas nastavenia času stlačíte (Zastaviť / Zrušiť), rúra sa automaticky vráti späť do predchádzajúceho režimu.

4.2.2 Varenie s mikrovlnou rúrou

1. Stlačte **MW** (Mikrovlnná rúra) a na LED obrazovke sa zobrazí "PL10".
2. Znovu stlačte **MW** (Mikrovlnná rúra) alebo a vyberte požadovaný výkon. Pri každom stlačení tlačidla sa zobrazí "PL10", "PL8", "PL5", "PL3" alebo "PL1".
3. Otočením nastavte dĺžku varenia na hodnotu v rozmedzí 0:05 a 95:00.
4. Pre spustenie varenia znovu stlačte (Štart / + 30 sek. / Potvrdiť).



Príklad: Ak chcete k varenie použiť 80% mikrovlnný výkon po dobu 20 minút, nastavte rúru nasledujúcim spôsobom.

5. Raz stlačte  (Mikrovlnná rúra) a na LED obrazovke sa zobrazí "PL10".
6. Znovu stlačte  (Mikrovlnná rúra) alebo a mikrovlnný výkon nastavte na 80%.
7. Otočte  a nastavte dĺžku varenia kým sa na displeji rúry nezobrazí "20:00".
8. Pre spustenie varenia stlačte  (Štart / + 30 sek. / Potvrdiť).


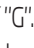


Kroky pre nastavenie času pomocou tlačidla kódovania sú uvedené nižšie:

Nastavenie dĺžky trvania	Dĺžka kroku
0-1 minúta	5 sekúnd
1-5 minút	10 sekúnd
5-10 minút	30 sekúnd
10-30 minút	1 minúta
30-95 minút	5 minút

4.2.3 Pokyny ku klávesnici mikrovlnnej rúry

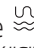



Poradie	Obrazovka	Mikrovlnný výkon
1	PL10	100%
2	PL8	80%
3	PL5	50%
4	PL3	30%
5	PL1	10%

4.3 Varenie s grilom alebo kombinovaným režimom

1. Stlačte  (Gril/Kombinácia) a na LED obrazovke sa zobrazí "G". Opakovane stlačte  (Gril/Kombinácia) alebo a vyberte požadovaný výkon. Pri každom stlačení tlačidla sa zobrazí "C-1", "C-2", "C-3" alebo "C-4".
2. Otočením  nastavte dĺžku varenia na hodnotu v rozmedzí 0:05 a 95:00.
3. Pre spustenie varenia znovu stlačte  (Štart / + 30 sek. / Potvrdiť).



Príklad: Ak chcete na varenie použiť výkon Combi (MWO+Gril) (C-2) po dobu 10 minút, nastavte rúru nasledujúcim spôsobom.

1. Stlačte  (Gril/Kombinácia) a na obrazovke sa zobrazí "G".
2. Opakovane stlačte  (Gril/Kombinácia) a vyberte požadovaný režim Kombinácia 2.
3. Otočte  a nastavte dĺžku varenia kým sa na displeji rúry nezobrazí "10:00".
4. Pre spustenie varenia stlačte  (Štart / + 30 sek. / Potvrdiť).

4 Prevádzka

4.3.1 Pokyny ku klávesnici (Gril / Kombinácia)

Poradie	Obrazovka	Mikrovlnný výkon	Gril Výkon	Konvekčné
1	C-1	•		•
2	C-2	•	•	
3	C-3		•	•
4	C-4	•	•	•



Ako náhle doba grilovania uplynie, rúra dvakrát vydá zvukový signál, čo je normálne. Aby ste dosiahli lepšieho účinku grilovanie, musíte jedlo obrátiť, zavrieť dvere a potom pre pokračovanie stlačiť "Štart / + 30 sek. / Potvrdiť". Ak nič neurobíte, rúra bude pokračovať vo varení.

3. Stlačte „(Štart/+30 sek./Potvrdiť)“ a začnete s predhrievaním. Ako náhle dosiahnete požadovanej teploty, ozve sa pípnutie, ktoré vám pripomenie, aby ste do rúry vložili jedlo. A teplota predhrievania sa zobrazí a bliká.

4. Dajte jedlo do rúry a zatvorte dvere. Otočením zadajte čas varenia. (Maximálny čas je 95 minút.)

5. Pre spustenie varenia znovu stlačte tlačidlo (Štart/+ 30 sek./Potvrdiť).

4.4 Konvekčné

4.4.1 Konvekčné varenie (s funkciou predohratia)

Konvekčné varenie vám umožní variť jedlo ako v tradičnej rúre. Mikrovlny sa nepoužívajú. Odporúča sa predhriať rúru na vhodnú teplotu ešte než do rúry vložíte jedlo.

1. Raz stlačte tlačidlo „(Konvekčné)“ a zobrazí sa „130°C“.

2. Opakovane stlačte „(Konvekčné)“ alebo a vyberte konvekčnú funkciu. Keď sa zobrazí konvekčná teplota, značí to konvekčnú funkciu. Teplotu možno vybrať v rozmedzí 130 stupňov až 220 stupňov.







Čas varenia nie je možné nastaviť až kým nebude dosiahnutá teplota predhriatie.

Po dosiahnutí teploty treba otvoriť dvere a nastaviť čas. Ak nie je čas nastavený počas 5 minút, rúra predhrievanie zastaví. Pípnutie sa ozve päťkrát a vráti sa do stavu čakania.


4.4.2 Konvekčné varenie (bez funkcie predhrievania)

1. Raz stlačte tlačidlo "(Konvekčné)" a zobrazí sa „130°C“.
2. Opakovane stlačte „(Konvekčné)“ alebo prepnite „-“ a vyberte konvekčnú funkciu. Keď sa zobrazí konvekčná teplota, značí to konvekčnú funkciu. Teplotu možno vybrať v rozmedzí 130 stupňov až 220 stupňov.
3. Otočením zadajte čas varenia. (Maximálny čas je 95 minút.)
4. Pre spustenie varenia stlačte tlačidlo (Štart/+30 sek./Potvrdiť).

4.5 Rýchly štart




1. V pohotovostnom režime stlačte  (Štart/+30 sek./Potvrdiť) a začnite variť so 100% mikrovlnným výkonom. Pri každom stlačení klávesy sa čas varenia zvýši v krokoch po 30 sekundách, a to až do 95 minút.
2. Pri varení v mikrovlnnej rúre, na grile a pri kombinovanom varení sa čas varenia zvýši po 30 sekundách, zakaždým, keď stlačíte  (Štart/+30 sek./Potvrdiť).
3. V pohotovostnom režime otočte  proti smeru hodinových ručičiek a nastavte začiatok varenia sa 100% mikrovlnným výkonom a stlačením  (Štart/+30 sek./Potvrdiť) varenie spustíte.






V automatickom menu a menu rozmrazovania podľa hmotnosti stlačením  (Štart / +30 sek. / Potvrdiť) dĺžku varenia nezvýši.

4.6 Rozmrazovanie

4.6.1 Rozmrazovanie podľa hmotnosti




1. Raz stlačte  „(Rozmrazenie)“.
2. Otočte  a vyberte hmotnosť jedla, od 100 do 2000 g.
3. Rozmrazovanie spustíte stlačením  (Štart/+30 sek./Potvrdiť).

4.6.2 Rozmrazovanie podľa času

1. Raz stlačte  (Rozmrazovanie).
2. Otočením  vyberte dĺžku rozmrazovania. Maximálny čas je 95 minút.
3. Rozmrazovanie spustíte stlačením  (Štart/+30 sek./Potvrdiť). Rozmrazovací výkon je P30 a nemožno ho zmeniť.

4.7 Minútka (odpočítavanie)

Vaša rúra je vybavená automatickým odpočítavaním, ktoré nesúvisia s funkciami rúry a možno ho v kuchyni použiť samostatne (možno ho nastaviť max. na 95 min.).



1. Raz stlačte  (Minútka / Odpočítavanie) a na LED obrazovke sa zobrazí 00:00.
2. Otočením  zadajte správny čas.
3. Pre potvrdenie nastavenia stlačte  (Štart/+30 sek./Potvrdiť).
4. Keď odpočítavanie zadaného času dosiahne 00:00, 5x sa ozve zapípanie. Ak je nastavený čas (systém 24 hodín), na LED obrazovke sa zobrazí aktuálny čas.

Pre zrušenie časovača stlačte  (Zastaviť / Zrušiť).



Kuchynka funguje inak ako v systéme 24 hodín. Kuchynka je iba časovač.

4.8 Automatické menu

1. Otáčajte v smere hodinových ručičiek a nastavte požadované menu. Menu medzi "AC01" a "AC10".
2. Pre potvrdenie stlačte  (Štart/+30 sek./ Potvrdiť).
3. Otočením vyberte predvolenú hmotnosť v súlade s tabuľkou menu.
4. Pre spustenie varenia stlačte  (Štart / + 30 sek. / Potvrdiť).

4.8.1 Menu automatického varenia

Menu	Hmotnosť	Obrazovka
AC01 Pizza	200 g	200 g
	300 g	300 g
	400 g	400 g
AC02 Mäso	150 g	150 g
	300 g	300 g
	450 g	450 g
	600 g	600 g
AC03 Zelenina	150 g	150 g
	350 g	350 g
	500 g	500 g
AC04 Cestoviny	50 g (so 450 ml studenej vody)	50 g
	100 g (so 800 ml studenej vody)	100 g
	150 g (so 1200 ml studenej vody)	150 g
AC05 Torta	475 g	475 g

4 Prevádzka

Menu	Hmotnosť	Obrazovka
AC06 Ryby	1 pohár (230g)	1
	2 poháre (460 ml)	2
	3 poháre (690 ml)	3
AC07 Nápoj	150 g	150 g
	250 g	250 g
	350 g	350 g
	450 g	450 g
	650 g	650 g
AC08 Nápoje	1 pohár (120 ml)	1
	2 pohár 240 ml)	2
	3 pohár (360 ml)	3
AC09 Popcorn	50 g	50
	100 g	100
AC10 Kura	500 g	500 g
	750 g	750 g
	1000 g	1000 g
	1200 g	1200 g

4.9 Varenie vo viacerých krokoch

Nastavenie možno spravidla nastaviť v 2 krokoch. Pri varení vo viacerých krokoch, ak je jedným krokom rozmrazovanie, musí byť vykonané ako prvé.






Ak chcete jedlo rozmrazovať počas 5 minút a potom variť pri mikrovlnnom výkone po dobu 7 minút, vykonajte nasledujúce kroky:



1. Raz stlačte (Rozmrazovanie podľa času).
2. Otočením vyberte dĺžku rozmrazovania kým sa na obrazovke nezobrazí "5:00".

3. Raz stlačte (Mikrovlnná rúra) a na LED obrazovke sa zobrazí "PL10".
4. Znovu stlačte (Mikrovlnná rúra) alebo a mikrovlnný výkon nastavte na 80%.
5. Otočte a nastavte dĺžku varenia kým sa na displeji rúry nezobrazí "7:00".
6. Pre spustenie varenia stlačte (Štart / + 30 sek. / Potvrdiť). Ako náhle sa prvý krok a odpočet rozmrazovanie spustí, ozve sa pípnutie. Po prechode do druhého kroku varenia sa znova ozve pípnutie. Pípnutie sa na konci varenia ozve 5x.

4.10 Funkcia radenia

1. V režime grilovania, grilu a kombinovanom režim stlačte  (Mikrovlnná rúra) alebo  (Gril/Kombinácia) a aktuálna úroveň výkonu sa zobrazí po dobu 3 sekúnd. Po 3 sekundách sa rúra vráti do predchádzajúceho režimu.
2. Počas varenia stlačte  (Minútka/Hodiny) a na displeji sa po dobu 3 sekúnd zobrazí aktuálny čas.

4.11 Detský zámok

1. **Zamknutie:** V pohotovostnom režime stlačte po dobu 3 sekúnd  (Zastaviť/Zrušiť), ozve sa pípnutie, ktoré značí, že je detský zámok aktivovaný. Ak je čas nastavený, takisto sa zobrazí aktuálny čas; v opačnom prípade 0:00 sa zobrazí na obrazovke LED.
2. **Odomknutie:** Ak chcete vypnúť detský zámok, na 3 sekundy stlačte  (Zastaviť/Zrušiť) a ozve sa dlhé "pípnutie", ktoré značí, že je detský zámok vypnutý.

4.12 Otvorenie dverí rúry

Stlačte  (Otvoriť dvere) a dvere rúry sa otvoria.

5.1 Čistenie



VAROVANIE: Na čistenie spotrebiča nikdy nepoužívajte benzín, rozpúšťadlo, abrazívne čistiaci prostriedok, kovové objekty alebo tvrdé kefy.



VAROVANIE: Spotrebič alebo jeho napájací kábel nikdy neponárajte do vody alebo inej kvapaliny.

1. Vypnite spotrebič a odpojte napájací kábel zo zásuvky.
2. Počkajte kým spotrebič úplne nevychladne.
3. Vnútrošnú časť rúry udržiavajte čistú. V prípade, že na stenách rúry zostali zvyšky jedla alebo rozliatej kvapaliny, utrite ich handričkou. Ak sa rúra veľa znečistí, možno použiť jemný čistiaci prostriedok. Vyhnite sa použitiu sprejov a ďalších čistiacich látok, pretože môžu zanechať škvrny, značky a poničiť povrch dverí.
4. Vonkajšie povrchy rúry musia byť vyčistené handričkou. Nedovoľte, aby sa voda dostala do vetracích otvorov, aby ste tak predišli poškodeniu prevádzkových častí v rúre.
5. Obe strany dverí a sklo, tesnenia dverí a časti v blízkosti tesnení často utierajte handričkou, aby ste odstránili škvrny spôsobené rozstříeknutím. Nepoužívajte abrazívne čistiace prípravky.
6. Nedovoľte, aby bol ovládací panel vlhký. Vyčistite mäkkou handričkou. Dvere rúry nechajte otvorené, aby ste počas čistenia ovládacieho panela predišli nežiaducemu spusteniu.
7. Ak sa vo vnútri rúry alebo v jej okolí nahromadí para, utrite ju mäkkou handričkou. K tomu môže dôjsť, ak je mikrovlnná rúra prevádzkovaná vo vysoko vlhkých podmienkach. To je normálne.
8. V niektorých prípadoch musíte pri čistení vybrať sklenený tanier. Sklenený tanier umyte v teplej vode alebo v umývačke.
9. Valec a rúru treba čistiť pravidelne, aby sa predišlo nadmernej hlučnosti. Spodnú časť rúry stačí utrieť handričkou s jemným čistiacim prípravkom. Krúžok možno umyť v teplej vode alebo v umývačke. Keď krúžok vyberiete zo spodnej časti, pri jeho vrátení skontrolujte, že ste ho nainštalovali správnym smerom.
10. Aby ste odstránili zlý zápach z rúry, vložte do mikrovlnnej rúry misku s vodou a citrónovou šťavou a kôrou a rúru spustíte na 5 minút v mikrovlnnom režime. Dôkladne utrite a vysušite mäkkou handričkou.
11. V prípade, že je potrebné vykonať výmenu žiarovky v rúre, kontaktujte autorizovaný servis, prosím.
12. Rúra musí byť pravidelne čistená a akékoľvek zvyšky potravín musia byť odstránené. Ak nie je rúra udržiavaná čistá, môže to spôsobiť povrchové defekty, ktoré by mohli negatívne ovplyvniť životnosť spotrebiča to by mohlo spôsobiť nebezpečenstvo.
13. Tento spotrebič nelikvidujte spoločne s domácim odpadom; staré rúry musia byť zlikvidované v špeciálnych centrách prevádzkovaných mestskými úradmi.
14. Keď sa používa funkcia grilu, môže sa objaviť malé množstvo dymu a zápachu, čo po určitej dobe používania zmizne.

5.2 Skladovanie

- Ak nechcete spotrebič dlhšiu dobu používať, dôkladne ho uskladnite.
- Skontrolujte, či je spotrebič odpojený, vychladnutý a úplne suchý.
- Spotrebič skladujte na suchom, chladnom mieste.
- Spotrebič skladujte mimo dosahu detí.

6 Odstraňovanie problémov

Normálny	
Mikrovlnná rúra ruší TV príjem.	Pri prevádzke mikrovlnnej rúry môže dochádzať k rušeniu rozhlasového a televízneho príjmu. Je to podobné rušeniu malých elektrických spotrebičov, napr. Mixéra, vysávače a elektrického ventilátora. To je normálne.
Svetlo v rúre je tlmené.	Počas mikrovlnného varenia pri nízkom výkone sa môže svetlo v rúre stlmiť. To je normálne.
Para sa kumuluje na dverách, horúcich vzduch vychádza prieduchy	Počas varenia môže jedla vychádzať para. Väčšina pary vyjde prieduchy. Ale niekedy sa môže kumulovať na chladnom mieste, napr. dverách rúry. To je normálne.
Omylom spustená rúra, bez vloženého jedla.	Je zakázané spúšťať spotrebič bez toho aby tam boli nejaké potraviny. Je to veľmi nebezpečné.

Problém	Možná príčina	Riešenie
Rúru nie je možné spustiť.	(1) Napájací kábel nie je správne zapojený.	Odpojte ho. Po 10 sekundách ho znova zapojte.
	(2) Poistka skratovala alebo sa aktivoval istič okruhu.	Vymeňte poistku alebo reštartujte istič (opravu vykonajú profesionáli z našej spoločnosti).
	(3) Problém so zásuvkou.	V zásuvke vyskúšajte iné elektrické spotrebiče.
Rúra neheje.	(4) Dvere nie sú dobre zatvorené.	Dvere riadne zavrite.
Sklenený otočný tanier vydáva pri spustení mikrovlnnej rúry hluk.	(5) Otočný tanier a spodná časť rúry sú špinavé.	Pri čistení špinavých častí postupujte podľa pokynov v "Čistenie a údržba".
Na displeji sa zobrazí chyba E-3 a rúra nefunguje (model MGB 25333 BG)	(6) Dvere rúry nie je možné otvoriť (z dôvodu prekážky pred dvermi, nízkeho napätia atď.).	Odpojte ho. Po 10 sekundách ho znova zapojte.




Nejprve si tento návod přečtěte!

Vážený zákazníku,

Děkujeme, že jste si vybrali produkt značky Beko. Doufáme, že s tímto produktem, který byl vyroben s využitím vysoce kvalitní a moderní technologie, dosáhnete těch nejlepších výsledků. Proto si před použitím produktu pečlivě přečtěte celý návod k použití a jakékoli doplňující dokumenty, a uchovejte je pro budoucí použití. Pokud produkt předáte další osobě, rovněž jí předejte návod k použití. Dodržte veškerá varování a informace obsažené v návodu k použití.

Význam symbolů

V různých částech tohoto návodu k použití jsou použity následující symboly:

	Důležité informace a užitečné tipy k použití.
	Upozornění na nebezpečné situace týkající se ohrožení života a majetku.
	Upozornění na horké povrchy.



Tento produkt byl vyroben v ekologicky šetrných a moderních zařízeních bez poškození životního prostředí.

OBSAH

1 Důležité pokyny z hlediska bezpečnosti a životního prostředí 159

1.1 Obecné bezpečnostní pokyny	159
1.1.1 Elektrická bezpečnost	161
1.1.2 Bezpečnost produktu	162
1.2 Zamýšlené použití	163
1.3 Bezpečnost dětí	163
1.4 Shoda se směrnici WEEE a likvidace produktů	165
1.5 Informace o balení	165

2 Vaše mikrovlnná trouba 166

2.1 Přehled	166
2.2 Technické údaje	166
2.3 Instalace otočného talíře	167

3 Instalace a zapojení 168

3.1 Instalace a zapojení	168
3.2 Vestavěná instalace	169
3.2.1 Rozměry nábytku pro vestavěnou instalaci	169
3.2.2 Příprava skříně	170
3.2.3 Připevnění trouby	171
3.3 Rádiové rušení	172
3.4 Zásady vaření v mikrovlnné troubě	172
3.5 Pokyny k uzemnění	172
3.6 Test kuchyňského náčiní	172

4 Obsluha 174

4.1 Ovládací panel	174
4.2 Pokyny k obsluze	174
4.2.1 Nastavení času	174
4.2.2 Vaření s mikrovlnnou troubou	174
4.2.3 Pokyny ke klávesnici mikrovlnné trouby	175
4.3 Vaření s grilem nebo kombinovaným režimem	175
4.3.1 Pokyny ke klávesnici (Gril/Kombinace)	176
4.4 Horký vzduch	176
4.4.1 Vaření s prouděním horkého vzduchu (s funkcí předežhátí)	176

4.4.2 Vaření s prouděním horkého vzduchu (bez funkce předežhátí)	176
4.5 Rychlý start	177
4.6 Rozmrazování	177
4.6.1 Rozmrazování podle hmotnosti	177
4.6.2 Rozmrazování podle času	177
4.7 Minutka (odpočítávání)	177
4.8 Automatické menu	178
4.8.1 Menu automatického vaření	179
4.9 Vaření ve více krocích	180
4.10 Funkce dotazování	180
4.11 Dětský zámek	180
4.12 Otevření dveří trouby	180

5 Čištění a údržba 181

5.1 Čištění	181
5.2 Skladování	181

6 Odstraňování problémů 182

Důležité bezpečnostní pokyny Pozorně si je přečtěte a uschovejte pro pozdější použití

Tento oddíl obsahuje bezpečnostní pokyny, které vám pomohou s ochranou před vznikem požáru, zásahem elektrickým proudem, následky unikající mikrovlnné energie, zraněním osob nebo poškozením majetku. Nedodržení těchto pokynů zruší platnost záruky.

1.1 Obecné bezpečnostní pokyny

- Tato mikrovlnná trouba je určena k ohřívání potravin a nápojů. Sušení potravin či oblečení a ohřívání oteplovacích podložek, pantoflů, hubek, vlhkých hadrů a podobných předmětů může vést k nebezpečí úrazu, vznícení nebo požáru.

Toto zařízení je určeno pouze pro domácí a podobné použití, například:

- V prostorách kuchyňského personálu v obchodech, kancelářích a dalších pracovních prostředích;
- Na farmách;

- Klienty v hotelích, motelech a dalších typech obytného prostředí;
- V prostředí typu bed and breakfast.
- Nepokoušejte se troubu spustit, jsou-li dveře otevřené; v takovém případě se můžete vystavit škodlivému mikrovlnnému záření. Bezpečnostní zámky nesmí být vyřazené z činnosti nebo poškozené.
- Nevkládejte žádný předmět mezi přední stranu a dveře trouby. Nedovolte, aby se na povrchu udržely nečistoty nebo zbytky čisticích prostředků.
- Jakékoli servisní práce zahrnující odstranění krytu, který zajišťuje ochranu před mikrovlnným zářením, musí provést autorizované osoby/servis. Jakýkoli jiný přístup je nebezpečný.
- Váš produkt je určen k vaření, ohřívání a rozmrazování potravin v domácnosti. Nesmí být používán pro komerční účely. Výrobce nenes zodpovědnost za škody způsobené nesprávným používáním.
- Tento spotřebič nepoužívejte venku, v koupelně, ve vlhkém prostředí nebo na místech, kde se do něj může dostat vlhkost.

Důležité pokyny z hlediska bezpečnosti a životního prostředí

- Nelze uplatnit žádnou záruku ani požadovat plnění za odpovědnost za škody vyplývající ze špatného použití nebo nesprávné manipulace se spotřebičem.
- Nikdy se nepokoušejte spotřebič demontovat. Na škody způsobené nesprávnou manipulací se nevztahuje záruka.
- Používejte pouze originální části doporučené výrobcem.
- Nenechávejte spotřebič bez dozoru, pokud je v provozu.
- Spotřebič vždy používejte na stabilním, rovném, čistém a suchém povrchu.
- Tento spotřebič nesmí být používán s externím časovačem nebo samostatným systémem dálkového ovládání.
- Než spotřebič použijete poprvé, vyčistěte všechny části. Viz údaje v části „Čištění a údržba“.
- Spotřebič používejte pouze k určenému účelu, jak je popsáno v tomto návodu. Na tento spotřebič nepoužívejte abrazivní chemické látky ani páru. Tato trouba je určena zejména k vaření a ohřívání potravin. Není určena k průmyslovému nebo laboratornímu použití.
- Spotřebič nepoužívejte k sušení oblečení nebo utěrek.
- Spotřebič se při používání velmi zahřeje. Dejte pozor, abyste se nedotkli horkých částí v troubě.
- Vaše trouba není navržena k sušení žádných živých stvoření.
- Troubu nespouštějte, je-li prázdná.
- Používejte pouze kuchyňské náčiní, které je vhodné k použití v mikrovlnných troubách.
- Kuchyňské náčiní se může z důvodu tepla přeneseného z ohřátého jídla na náčiní zahřát. Při přenášení náčiní můžete potřebovat chňapku.
- Kuchyňské náčiní je třeba zkontrolovat, aby se zajistilo, že je vhodné k použití v mikrovlnných troubách.
- Troubu nepokládejte na žádný spotřebič generující teplo. V opačném případě může dojít k poškození a zrušení platnosti záruky.
- Mikrovlnná trouba nesmí být umístěna do skříně, která neodpovídá pokynům k instalaci.
- Během otevření krytu nebo fólie zakrývající jídlo může po uvaření jídla vycházet pára.
- Při vyjímání ohřátého jídla použijte chňapky.

- Spotřebič a jeho dostupné povrchy se mohou během používání velmi zahřát.
- Dveře a vnější sklo se mohou během používání spotřebiče velmi zahřát.
- Spotřebič zapojujte pouze do uzemněné zásuvky.
- Nikdy nepoužívejte spotřebič, pokud je poškozen napájecí kabel nebo spotřebič.

1.1.1 Elektrická bezpečnost

- Pokud je poškozen napájecí kabel, musí jej vyměnit výrobce, servisní středisko nebo podobně kvalifikovaná osoba, aby nedošlo k ohrožení.
- Mikrovlnné trouby Beko splňují platné bezpečnostní standardy; proto v případě jakéhokoli poškození spotřebiče nebo napájecího kabelu musí být provedena oprava nebo výměna prodejcem, servisním centrem nebo odborníkem z autorizovaného servisu, aby se předešlo nebezpečí. Chybná nebo neodborná oprava může být nebezpečná pro uživatele.
- Zkontrolujte, zda vaše napájení odpovídá informacím uvedeným na štítku spotřebiče.
Jediný způsob, jak odpojit zařízení od zdroje napájení, je odpojit zástrčku ze síťové zásuvky.
- Pro práci se spotřebičem nepoužívejte prodlužovací kabel.
- Nikdy nesahejte na spotřebič nebo zástrčku mokřýma nebo vlhkýma rukama.
- Spotřebič umístěte tak, aby byla zástrčka vždy přístupná.
- Zabraňte poškození napájecího kabelu, zabraňte jeho zmáčknutí, ohnutí nebo odírání o ostré hrany. Napájecí kabel udržujte mimo horké povrchy a otevřený oheň.
- Ujistěte se, že neexistuje žádná nebezpečí, že by byl napájecí kabel náhodně vytažen nebo že by o něj mohl někdo během používání zakopnout.
- Spotřebič odpojte před každým čištěním a v případě, že jej nepoužíváte.
- Při odpojení z napájecí sítě za napájecí kabel spotřebiče netahejte a nikdy ho neovíňte okolo spotřebiče.
- Spotřebič, napájecí kabel nebo zástrčku neponořujte do vody ani jiných kapalin.

Nedržte pod tekoucí vodou.

- Při ohřívání potravin v plastových nebo papírových nádobách na troubu z důvodu možnosti vznícení dohlížejte.
- Než sáčky s potravinami vložíte do mikrovlnné trouby, odstraňte kovové sponky a/nebo jiné části.
- Zpozorujete-li kouř, troubu vypněte nebo odpojte a nechte dveře zavřené, aby se veškeré plameny uhasily.
- Vnitřní část trouby nepoužívejte jako úložný prostor. Když se trouba nepoužívá, nenechávejte v ní žádné papíry, materiál na vaření ani potraviny.
- Obsah kojeneckých lahví a skleniček s dětskou výživou je třeba před použitím promíchat nebo s nimi zatřepat a před konzumací je třeba zkontrolovat jejich teplotu, abyste tak předešli popáleninám.
- Tento spotřebič spadá do skupiny 2 třídy B zařízení ISM. Skupina 2 obsahuje všechna ISM zařízení (průmyslové, vědecké a lékařské), které generuje vysokofrekvenční energii a/nebo se používá ve formě elektromagnetického záření pro ošetření materiálu a elektrojskrového zařízení.

- Zařízení třídy B je vhodné k použití v domácím prostředí přímo připojeném k napájecí síti s nízkým napětím.
- Dveře nebo vnější povrch spotřebiče se může během používání hodně zahřát.

1.1.2 Bezpečnost produktu

- Ohřívání nápojů v mikrovlnné troubě může způsobit, že jsou přivedeny k varu, rozstříknou se, jakmile jsou vyjmuty z trouby, proto dávejte při přenášení nádob pozor.
- V troubě nic neopékejte. Horký olej může poškodit komponenty a materiály trouby a dokonce může způsobit popálení kůže.
- Potraviny se slupkou jako jsou brambory, cukety, jablka a kaštiny propíchněte.
- Spotřebič musí být umístěn tak, aby jeho zadní část směřovala ke stěně.
- Než spotřebič přemístíte, zajistěte otočný talíř, abyste předešli jeho poškození.

- Vejce ve skořápce a celá natvrdo uvařená vejce se v mikrovlnných troubách nesmějí ohřívat, protože mohou explodovat, a to i po ukončení mikrovlnného ohřevu.
- Nikdy nesnímejte části v zadní části a po stranách spotřebiče, které chrání minimální vzdálenosti mezi stěnami skříně a spotřebičem, abyste tak zajistili požadovanou cirkulaci vzduchu.

1.2 Zamýšlené použití

- Troubu je třeba pravidelně čistit a odstranit jakékoli zbytky potravin.
- Nebudete-li udržovat troubu v čistém stavu, může to vést k poškození povrchu, které by mohlo nepříznivě ovlivnit životnost zařízení a případně vést k nebezpečným situacím.
- Čištění těsnění dvířek a přilehlých částí: Používejte horkou vodu s mycím přípravkem. Čistěte pomocí hadříku na nádobí, nedrhňte. Pro čištění nepoužívejte kovovou nebo skleněnou škrabku.
- **VAROVÁNÍ:** Jsou-li dvířka nebo těsnění dvířek poškozená, trouba nesmí být používána, dokud nejsou opravena kompetentní osobou.

- **VAROVÁNÍ:** Provádění jakéhokoli servisu nebo oprav, které zahrnují odstranění krytu poskytlujícího ochranu proti mikrovlnnému záření, je nebezpečné pro všechny osoby s výjimkou kompetentních osob.

- **VAROVÁNÍ:** Tekutiny a jiné potraviny se nesmějí ohřívat v uzavřených nádobách, protože jsou náchylné k explodování.

- Mikrovlnná trouba je určena pouze k vestavěnému použití.
- Spotřebič nepoužívejte k ničemu jinému než je zamýšlené použití.
- Spotřebič nepoužívejte jako zdroj tepla.
- Mikrovlnná trouba je určena pouze k rozmrazování, vaření a dušení potravin.
- Potraviny nevařte nadměrně, v opačném případě můžete způsobit požár.
- K čištění spotřebiče nepoužívejte parní čističe.

1.3 Bezpečnost dětí

- Je třeba věnovat pozornost při použití v blízkosti dětí a osob se sníženými fyzickými, sensorickými nebo mentálními schopnostmi.

Důležité pokyny z hlediska bezpečnosti a životního prostředí

- Tento spotřebič mohou použít děti starší 8 let a lidé s omezenými fyzickými, sensorickými nebo duševními schopnostmi nebo které nemají dostatečné znalosti a zkušenosti, pokud na ně a bezpečné použití produktu dospělá osoba nebo jsou-li poučeni o rizicích souvisejících s použitím produktu. Děti si nesmí se spotřebičem hrát. Čištění a údržba nesmí být prováděny dětmi, pokud na ně nedohlíží starší osoby.
- Riziko zadušení! Všechny obaly uchovejte mimo dosah dětí.
- Dětem dovolte používat troubu bez dozoru, pokud jste je odpovídajícím způsobem poučili, tudíž je dítě schopné používat mikrovlnnou troubu bezpečně a rozumí nebezpečím plynoucím z nesprávného použití.
- Vzhledem k nadměrnému teplu, které vzniká v režimu grilu a kombinovaném režimu, není dovoleno, aby děti tyto režimy používaly bez dozoru dospělé osoby.
- Produkt a jeho napájecí kabel udržujte tak, aby nebyly přístupné dětem mladším 8 let.
- Spotřebič a jeho dostupné povrchy se mohou během používání velmi zahřát. Udržujte děti mimo dosah.
- Toto zařízení není určeno pro použití osobami (včetně dětí) se sníženými fyzickými, vjemovými nebo mentálními schopnostmi, nebo osobami, které nemají dostatek zkušeností ani znalostí, pokud nepoužívají daný výrobek s dohledem nebo s náležitými pokyny od osoby odpovědné za jejich bezpečnost.
- Malé děti musí být pod dozorem, aby se zajistilo, že si se spotřebičem nebudou hrát.
- **VAROVÁNÍ:** Dětem dovolte používat troubu bez dozoru, pouze pokud jste je odpovídajícím způsobem poučili a dítě je schopné používat mikrovlnnou troubu bezpečně a rozumí nebezpečím plynoucím z nesprávného použití.

1.4 Shoda se směrnicí WEEE a likvidace produktů



Tento produkt neobsahuje škodlivé a zakázané materiály specifikované v „Směrnice ohledně likvidace elektrických a elektronických produktů“, vydané ministerstvem životního prostředí. Splňuje směrnici WEEE. Tento výrobek byl vyroben z vysoce kvalitních součástí a materiálů, které lze znovu použít a které jsou vhodné k recyklaci.

Na konci životnosti nelikvidujte výrobek s běžným domovním odpadem. Zaneste jej na sběrné místo k recyklaci elektrického a elektronického zařízení. O informace o těchto sběrných místech požádejte místní úřadu. Pomáhejte ochraně životního prostředí a přírodních zdrojů pomocí recyklace použitých výrobků.

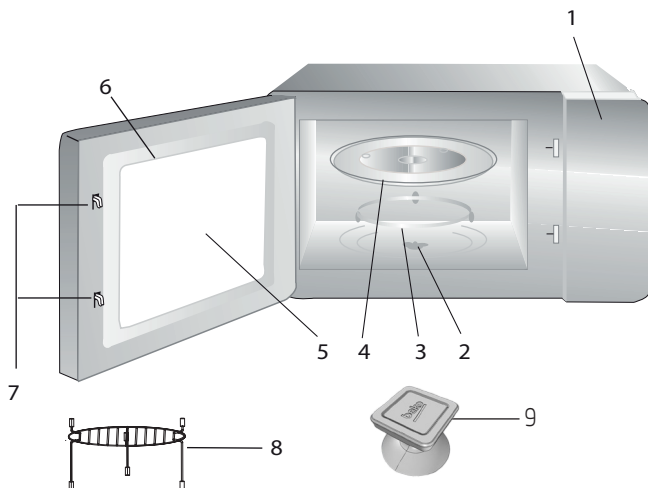
1.5 Informace o balení



Balení produktu je vyrobeno z recyklovatelných materiálů, v souladu s naší národní legislativou. Obalové materiály nelikvidujte s domácím nebo jiným druhem odpadu. Odvezte je na sběrné místo balícího materiálu, které má pověření místních orgánů.

2 Vaše mikrovlnná trouba

2.1 Přehled



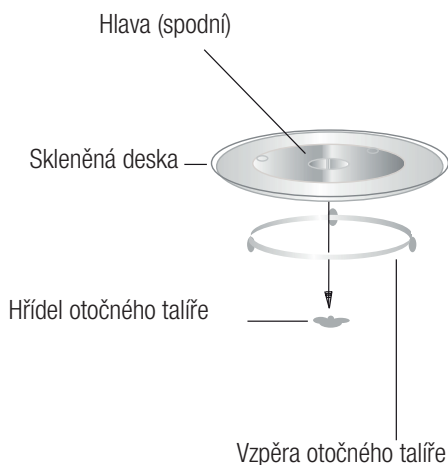
1. Ovládací panel
2. Hřídel otočného talíře
3. Vzpěra otočného talíře
4. Skleněná deska
5. Okno trouby
6. Dveře
7. Bezpečnostní systém zavírání dveří
8. Gril (pouze k použití s funkcí grilu a při umístění na skleněný tácek)
9. Vakuový zdvihač pro ruční otevření dveří

2.2 Technické údaje

Spotřeba energie	230 V~50 Hz, 1450 W (mikrovlnná trouba) 2500 W (horký vzduch) 1100 W (gril)
Výkon	900 W
Provozní kmitočet	2450 MHz
Hodnota proudu	11,5 A
Externí rozměry	595 x 470 x 388 mm
Vnitřní rozměry trouby	226 x 328 x 346 mm
Kapacita trouby	25 litrů
Čistá hmotnost	21,0 kg

Značení na výrobku nebo hodnoty uvedené v jiných dokumentech dodávaných s výrobkem jsou hodnoty, které byly dosaženy v laboratorních podmínkách v souladu s příslušnými normami. Tyto hodnoty se mohou lišit podle použití výrobku a podmínek používání. Hodnoty napájení jsou testovány při 230 V.

2.3 Instalace otočného talíře



- Nikdy nepokládejte skleněný talíř obráceně. Skleněný talíř by nikdy neměl být omezen.
- Během vaření musí být vždy použitý skleněný talíř a kruh otočného talíře.
- Všechny potraviny a nádoby s potravinami musí být během vaření vždy umístěné na otočném talíři.
- Pokud se skleněný talíř nebo sestava rozbije či nalomí, kontaktujte nejbližší autorizovaný servis

3 Instalace a zapojení

3.1 Instalace a zapojení

- Sejměte veškeré obaly a příslušenství. Zkontrolujte, zda na troubě není nějaké poškození, např. promáčkliny nebo rozbitá dvířka. Troubu neinstalujte, je-li poškozená.
- Sejměte ochrannou fólii, která je na povrchu mikrovlnné trouby.
- Nesnímejte světlehnědý kryt Mica, který je připevněný k otvoru trouby a chrání magnetron.
- Tento spotřebič je určen jen pro domácí použití.
- Tato trouba je určena pouze k vestavěnému použití. Není určena k použití na kuchyňské lince nebo ve skříní.
- Dodržte speciální pokyny k instalaci.
- Spotřebič lze nainstalovat do 60 cm široké skříně (minimálně 55 cm hluboké a 85 cm od podlahy).
- Spotřebič je vybaven zástrčkou, která musí být zapojena pouze do řádně uzemněné zásuvky.
- Napájecí napětí musí odpovídat údajům na štítku.
- Pokud zástrčka není po instalaci přístupná, na straně instalace musí být přítomen spínač k odpojení všech kontaktů a mezerou kontaktů minimálně 3 mm.
- Nesmí být používány adaptéry, rozdvojky a prodlužovací kabely. Přepětí může vést ke vzniku požáru.



Přístupný povrch se může během provozu zahřát.

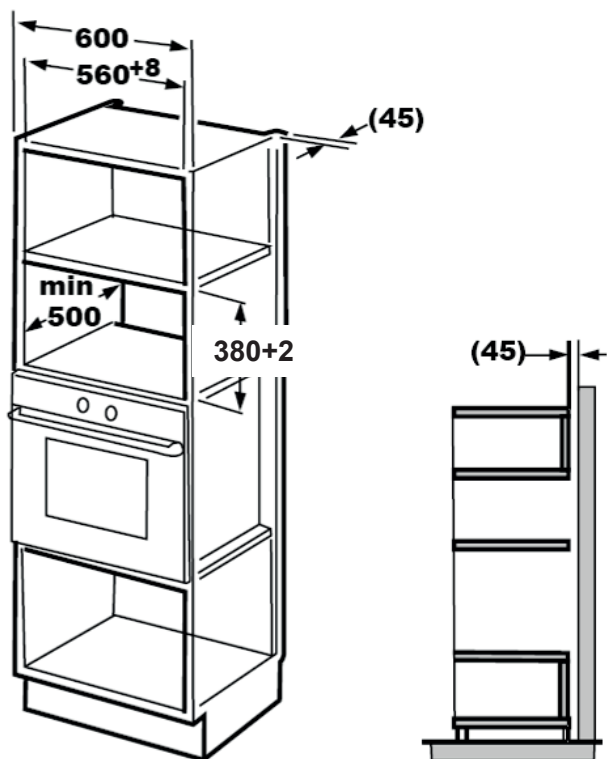


Napájecí kabel nepřipevňujte ani neohýbejte.

3 Instalace a zapojení

3.2 Vestavěná instalace

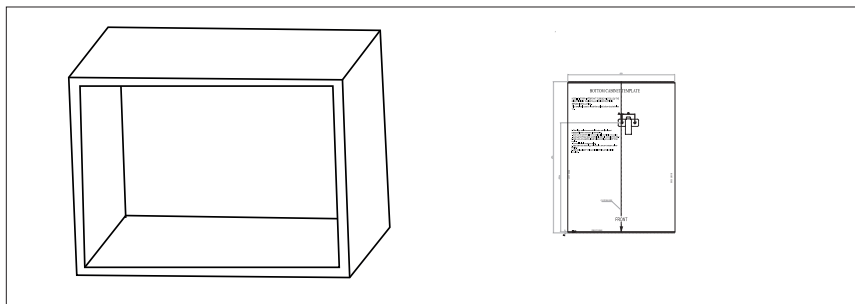
3.2.1 Rozměry nábytku pro vestavěnou instalaci



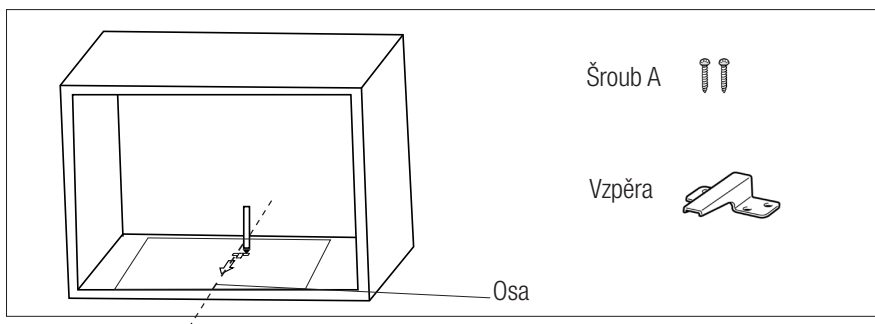
3 Instalace a zapojení

3.2.2 Příprava skříně

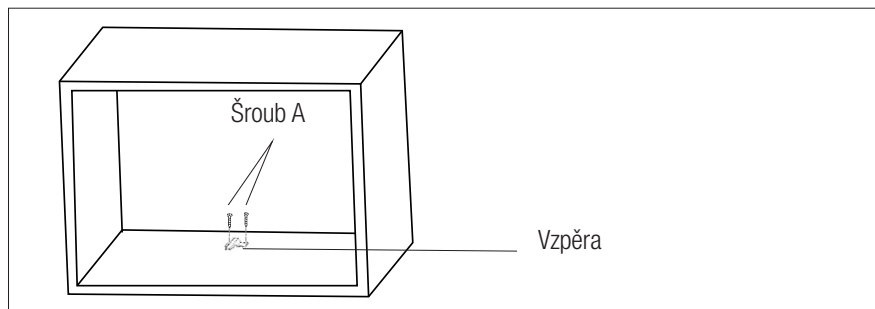
1. Přečtěte si pokyny ve spodní části skříně a umístěte šablonu na spodní desku.



2. Na spodní desce skříně vyznačte podle šablony značky „a“.



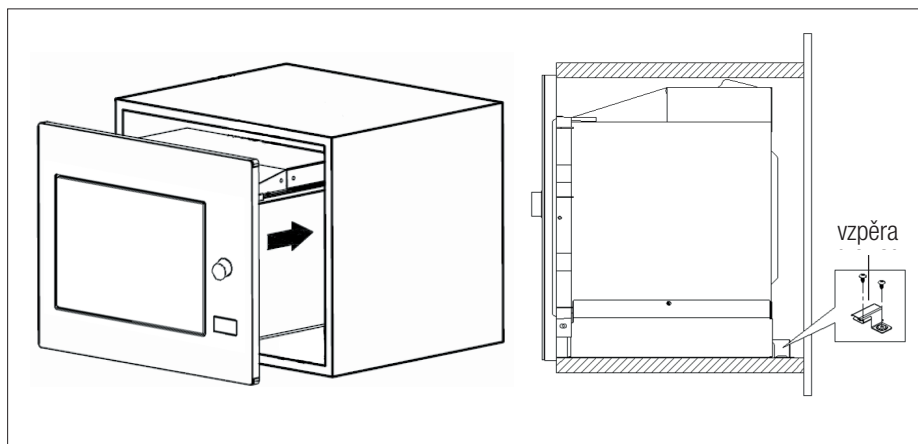
3. Vymějte spodní šablonu skříně a vzpěru upevněte pomocí šroubu A.



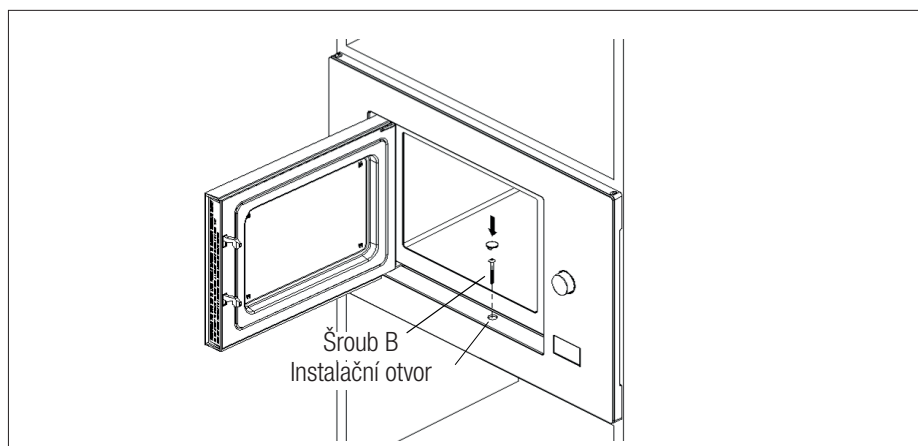
3 Instalace a zapojení

3.2.3 Připevnění trouby

1. Troubu nainstalujte do skříně.
 - Ujistěte se, zda je zadní část trouby uchycena vzpěrou.
 - Napájecí kabel nepřipevňujte ani neohýbejte.



2. Otevřete dveře, troubu ke skříní připevněte šroubem B, který prostrčíte instalačním otvorem. Potom na instalační otvor připevněte plastový kryt.



3.3 Rádiové rušení



Provoz mikrovlnné trouby může rušit příjem radiopřijímačů, TV a podobných spotřebičů.

- Troubu umístěte co nejdále od rozhlasových a televizních přijímačů. Provoz mikrovlnné trouby může způsobit rušení rozhlasového nebo televizního příjmu. 2. Troubu zapojte do běžné zásuvky. Zkontrolujte, zda je napětí a frekvence stejné hodnoty jako napětí a frekvence na štítku.
- V případě rušení ho lze snížit nebo eliminovat pokud provedete následující postupy:
- Vyčistěte dveře a těsnění trouby.
- Znovu nastavte směr antény rádia nebo TV.
- Podle umístění přijímače troubu přemístěte.
- Mikrovlnnou troubu umístěte mimo dosah přijímače.
- Mikrovlnnou troubu zapojte do jiné zástrčky, tak bude mikrovlnná trouba a přijímač na jiných linkách.

3.4 Zásady vaření v mikrovlnné troubě

- Pečlivě připravte potraviny. Zbývající části dejte stranou.
- Dejte pozor na délku vaření. Vařte co nejkratší uvedenou dobu a v případě potřeby přidejte další čas. Převařené jídlo může kouřit nebo se spálit.
- Během vaření jídlo zakryjte. Zakrytí jídla zabrání rozstříknutí a pomáhá zajistit to, aby se jídlo uvařilo rovnoměrně.
- Potraviny jako drůbež nebo hamburgery během vaření v mikrovlnné troubě otočte, abyste vaření takového druhu potravin urychlili. Větší potraviny, např. pečeně, musí být otočeny minimálně jednou.
- Například masové kuličky během vaření otočte a přemístěte je na talíř, z vnitřní části na okraj.

3.5 Pokyny k uzemnění

Tento spotřebič musí být uzemněn. Tato trouba má uzemňovací kabel s uzemněnou zástrčkou. Spotřebič musí být zapojený do zásuvky, která je řádně nainstalovaná a uzemněná. Uzemňovací systém umožní zapojení v případě zkratu a sníží nebezpečí úrazu v důsledku úrazu elektrickým proudem. Doporučujeme používat elektrický okruh určený pro troubu. Provoz při vysokém napětí je nebezpečný a může způsobit požár nebo jiné nehody, které by mohly způsobit poškození trouby.



VAROVÁNÍ: Špatné použití uzemňovací zástrčky může způsobit úraz elektrickým proudem.



Máte-li jakékoli dotazy týkající se uzemnění a pokynů, obraťte se na kvalifikovaného elektrikáře nebo zaměstnance servisu.



Výrobce a/nebo prodejce nepone- sou žádnou odpovědnost za zranění nebo škody na troubě, ke kterým mohlo dojít v důsledku nedodržení postupu elektrického zapojení.

3.6 Test kuchyňského náčiní

Mikrovlnnou troubu nikdy nespouštějte prázdnou. Jedinou výjimkou je test kuchyňského náčiní popsany v následující části. Některé nekovové kuchyňské náčiní nemusí být vhodné k použití v mikrovlnné troubě. Nejste-li si jisti, zda je náčiní vhodné k použití v mikrovlnné troubě, můžete provést následující test.

1. Prázdňé náčiní, které chcete otestovat, vložte do mikrovlnné trouby společně se sklenicí vhodnou do mikrovlnné trouby, která je naplněná 250 ml vody.
2. Mikrovlnnou troubu spusťte maximálně na 1 minutu.

3 Instalace a zapojení

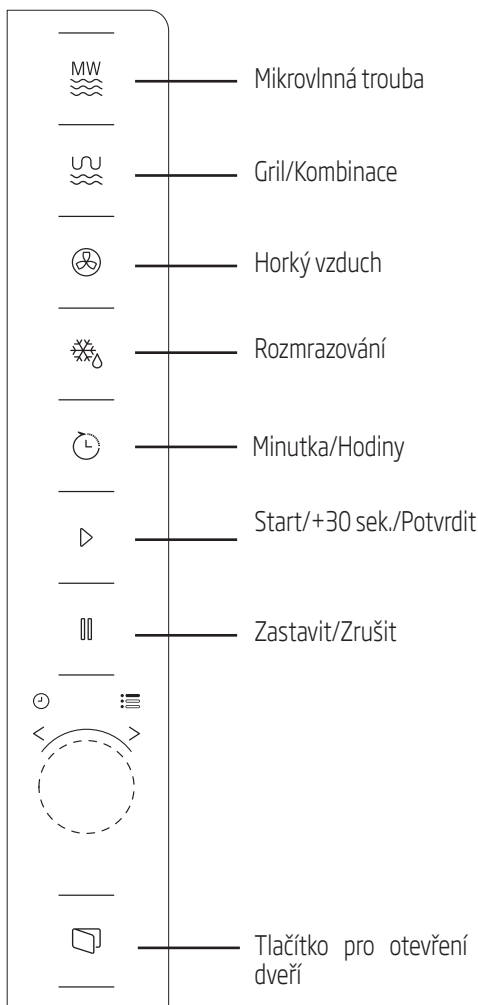
3. Pečlivě zkontrolujte teplotu testovaného náčiní. Pokud se zahřálo, není k použití v mikrovlnné troubě vhodné.

4. Nikdy nepřekračujte limit 1 minuty. Pokud si během 1 minuty všimnete praskání, mikrovlnnou troubu zastavte. Náčiní, které praská, není k použití v mikrovlnné troubě vhodné.

Následující seznam je obecný průvodce, který vám pomůže s výběrem správného náčiní.

Kuchyňské náčiní	Mikrovlnná trouba	Gril	Kombinace
Tepelně odolné sklo	Ano	Ano	Ano
Sklo, které není tepelně odolné	Ne	Ne	Ne
Tepelně odolná keramika	Ano	Ano	Ano
Plastové nádoby vhodné do mikrovlnné trouby	Ano	Ne	Ne
Papírové nádoby	Ano	Ne	Ne
Kovový podnos	Ne	Ano	Ne
Kovový rošt	Ne	Ano	Ne
Hliníková fólie	Ne	Ano	Ne
Pěnové materiály	Ne	Ne	Ne

4.1 Ovládací panel



4.2 Pokyny k obsluze

4.2.1 Nastavení času

Když je mikrovlnná trouba zapojena do sítě, na LED displeji se zobrazí „0:00“ a ozve se pípnutí bzučáku.

1. Dvakrát stiskněte tlačítko (Minutka/Hodiny) a čísla hodin začnou blikat.
2. Otočte a nastavte hodiny; vstupní hodnota musí být mezi 0 a 23.
3. Stiskněte (Minutka/Hodiny) a čísla minut začnou blikat.
4. Otočte a nastavte minuty; vstupní hodnota musí být mezi 0 a 59.
5. Stiskněte (Minutka/Hodiny) a nastavení času tak dokončete. Symbol „:“ se rozblíká a čas se rozsvítí.







Pokud během nastavení času stisknete (Zastavit/Zrušit), trouba se automaticky vrátí zpět do předchozího režimu.

4.2.2 Vaření s mikrovlnnou troubou

1. Stiskněte (Mikrovlnná trouba) a na LED obrazovce se zobrazí „PL10“.
2. Znovu stiskněte (Mikrovlnná trouba) a vyberte požadovaný výkon. Při každém stisknutí tlačítka se zobrazí „PL10“, „PL8“, „PL5“, „PL3“ nebo „PL1“.
3. Otočením nastavte délku vaření na hodnotu v rozmezí 0:05 a 95:00.
4. Pro spuštění vaření znovu stiskněte (Start/+30 sek./Potvrdit).



Příklad: Chcete-li k vaření použít 80% mikrovlnný výkon po dobu 20 minut, nastavte troubu následujícím způsobem.

5. Jednou stiskněte  (Mikrovlnná trouba) a na obrazovce se zobrazí „PL10“.
6. Znovu jednou stiskněte  (Mikrovlnná trouba) a nastavte mikrovlnný výkon na 80 %.
7. Otočte  a nastavte délku vaření, dokud se na displeji trouby nezobrazí „20:00“
8. Pro spuštění vaření stiskněte  (Start/+30 sek./Potvrdit).

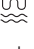



Kroky pro nastavení času pomocí tlačítka kódování jsou uvedeny níže:

Nastavení délky trvání	Délka kroku
0-1 minuta	5 sekund
1-5 minut	10 sekund
5-10 minut	30 sekund
10-30 minut	1 minuta
30-95 minut	5 minut

4.2.3 Pokyny ke klávesnici mikrovlnné trouby

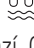
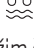


Pořadí	Obrazovka	Mikrovlnný výkon
1	PL10	100 %
2	PL8	80 %
3	PL5	50 %
4	PL3	30 %
5	PL1	10 %

4.3 Vaření s grilem nebo kombinovaným režimem

1. Stiskněte  (Gril/Kombinace) a na LED obrazovce se zobrazí „G“. Opakovaným stisknutím  (Gril/Kombinace) vyberte požadovaný výkon. Při každém stisknutí tlačítka se zobrazí „C-1“, „C-2“, „C-3“ nebo „C-4“.
2. Otočením  nastavte délku vaření na hodnotu v rozmezí 0:05 a 95:00.
3. Pro spuštění vaření znovu stiskněte  (Start/+30 sek./Potvrdit).



Příklad: Chcete-li k vaření použít 80% mikrovlnný výkon po dobu 10 minut, nastavte troubu následujícím způsobem.

1. Jednou stiskněte  (Gril/Kombinace) a na obrazovce se zobrazí „G“.
2. Znovu dvakrát stiskněte  (Gril/Kombinace) a vyberte kombinovaný režim č. 2.
3. Otočte  a nastavte délku vaření, dokud se na displeji trouby nezobrazí „10:00“
4. Pro spuštění vaření stiskněte  (Start/+30 sek./Potvrdit).

4.3.1 Pokyny ke klávesnici (Gril/Kombinace)

Pokyny k obsluze	Displej	Mikrovlnná trouba	Gril	Horký vzduch
1	C-1	•		•
2	C-2	•	•	
3	C-3		•	•
4	C-4	•	•	•



Jakmile doba grilování uplyne, trouba dvakrát vydá zvukový signál, což je normální. Abyste dosáhli lepšího účinku grilování, musíte jídlo obrátit, zavřít dveře a potom pro pokračování stisknout „Start/+30 sek./Potvrdit“. Pokud nic neuděláte, trouba bude pokračovat ve vaření.

3. Stisknutím (Start/+30 sek./Potvrdit) spustíte předeřívání. Jakmile je dosaženo teploty předeřívání, bzučák vám pípnutím připomene, abyste vložili jídlo do trouby. Zároveň se zobrazí teplota předeřívání a bliká.
4. Vložte jídlo do trouby a zavřete dvířka. Otočením nastavte dobu vaření. (Maximální nastavená doba je 95 minut.)
5. Stisknutím (Start/+30 sek./Potvrdit) spustíte vaření.



Dobu vaření nelze nastavit, dokud není dosaženo teploty předeřívání. Je-li dosaženo této teploty, je nutné pro nastavení doby vaření otevřít dvířka.

Není-li doba vaření nastavena do 5 minut, trouba zastaví předeřívání. Bzučák pětkrát zazní a trouba se vrátí do stavu čekání.

4.4 Horký vzduch

4.4.1 Vaření s prouděním horkého vzduchu (s funkcí předeřívání)



Vaření s prouděním horkého vzduchu vám umožní vařit potraviny jako v tradiční troubě. Mikrovlny se nepoužívají. Je doporučeno, abyste předeřívání trouby na vhodnou teplotu před vložením potravin do trouby.

1. Stiskněte jednu tlačítko (Horký vzduch) a zobrazí se „130 °C“.
2. Opakovaným stisknutím (Horký vzduch) vyberte funkci horkého vzduchu. Když se zobrazí teplota horkého vzduchu, indikuje to funkci horkého vzduchu. Teplotu lze nastavit od 130 do 220 stupňů.


4.4.2 Vaření s prouděním horkého vzduchu (bez funkce předeřívání)

1. Stiskněte jednu tlačítko (Horký vzduch) a zobrazí se „130 °C“.

4 Obsluha


2. Opakovaným stisknutím  (Horký vzduch)  vyberte funkci horkého vzduchu.

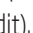
Když se zobrazí teplota horkého vzduchu, indikuje to funkci horkého vzduchu. Teplotu lze nastavit od 130 do 220 stupňů.



3. Otočením  nastavte dobu vaření. (Maximální nastavená doba je 95 minut.)

4. Stisknutím  (Start/+30 sek./Potvrdit) spustíte vaření.

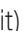
4.5 Rychlý start

1. V pohotovostním režimu stiskněte  (Start/+30 sek./Potvrdit) a začněte vařit se 100% mikrovlnným výkonem. Při každém stisknutí klávesy se čas vaření zvýší v krocích po 30 sekundách, a to až do 95 minut.

2. Při vaření v mikrovlnné troubě, na grilu a při kombinovaném vaření nebo rozmrazování podle času se doba vaření zvýší po 30 sekundách po každém stisknutí  (Start/+30 sek./Potvrdit).

3. V pohotovostním režimu otočte  proti směru hodinových ručiček a nastavte začátek vaření se 100% mikrovlnným výkonem a stisknutím  (Start/+30 sek./Potvrdit) vaření spustíte.




V automatickém menu a menu rozmrazování podle hmotnosti se stisknutím  (Start/+30 sek./Potvrdit) doba vaření nezvýší.

4.6 Rozmrazování


4.6.1 Rozmrazování podle hmotnosti

1. (Rozmrazování podle hmotnosti) jedním stisknutím .


2. Otočte  a vyberte hmotnost jídla, od 100 do 2000 g.

3. Spusťte rozmrazování stisknutím  (Start/+30 sek./Potvrdit).

4.6.2 Rozmrazování podle času

1. Stiskněte dvakrát  (Rozmrazování podle času)

2. Otočením  vyberte dobu rozmrazování. Maximální čas je 95 minut.


3. Spusťte rozmrazování stisknutím  (Start/+30 sek./Potvrdit). Rozmrazovací výkon je P30 a nelze jej změnit.

4.7 Minutka (odpočítávání)

Vaše trouba je vybavena automatickým odpočítáváním, které nesouvisí s funkcemi trouby a lze ho v kuchyni použít samostatně (lze ho nastavit max. na 95 min.).

1. Jednou stiskněte  (Minutka/Odpočítávání) a na LED obrazovce se zobrazí 00:00.

2. Otočením  zadejte správný čas.

3. Pro potvrzení nastavení stiskněte  (Start/+30 sek./Potvrdit).





4. Když odpočítávání zadaného času dosáhne 00:00, 5x se ozve zapípání. Je-li nastavený čas (systém 24 hodin), na LED obrazovce se zobrazí aktuální čas.

Pro zrušení časovače stiskněte  (Zastavit/Zrušit).



Minutka funguje jinak než v systému 24 hodin. Minutka je pouze časovač.

4.8 Automatické menu

1. Otáčejte  ve směru hodinových ručiček a nastavte požadované menu. Nabídky mezi „AC01“ a „AC10“.
2. Pro potvrzení stiskněte  (Start/+30 sek./Potvrdit).
3. Otočením  vyberte výchozí hmotnost v souladu s tabulkou menu.
4. Pro spuštění vaření stiskněte  (Start/+30 sek./Potvrdit).

4 Obsluha

4.8.1 Menu automatického vaření

Menu	Hmotnost	Displej	Výkon
AC01 Pizza	200 g	200 g	C-4 / Gril
	300 g	300 g	
	400 g	400 g	
AC02 Maso	150 g	150 g	100 %
	300 g	300 g	
	450 g	450 g	
	600 g	600 g	
AC03 Zelenina	150 g	150 g	100 %
	350 g	350 g	
	500 g	500 g	
AC04 Těstoviny	50 g (s 450 ml studené vody)	50 g	80 %
	100 g (s 800 ml studené vody)	100 g	
	150 g (s 1200 ml studené vody)	150 g	
AC05 Koláč	475 g	475 g	Přehřát na 160 °C
AC06 Brambory	1 (asi 230 g)	1	100 %
	2 (asi 460 g)	2	
	2 (asi 690 g)	3	
AC07 Ryby	150 g	150 g	80 %
	250 g	250 g	
	350 g	350 g	
	450 g	450 g	
	650 g	650 g	
AC08 Nápoj	1 hrnek (asi 240 ml)	1	100 %
	2 hrnky (asi 480 ml)	2	
	3 hrnky (asi 720 ml)	3	
AC09 Pražená kukuřice	50 g	50	100 % mikrovlny
	100 g	100	
AC10 KUŘE	500 g	500 g	C-4/ Přehřát na 200 °C
	750 g	750 g	
	1000 g	1000 g	
	1200 g	1200 g	

4.9 Vaření ve více krocích

Vaření lze nastavit nejvýše ve 2 krocích. Při vaření ve více krocích, je-li jedním krokem rozmrazování, musí být provedeno jako první.



Chcete-li jídlo rozmrazovat po dobu 5 minut a potom vařit při mikrovlnném výkonu po dobu 7 minut, proveďte následující kroky:

1. Stiskněte dvakrát (Rozmrazování podle času)
2. Otočením vyberte dobu rozmrazování, dokud se na obrazovce nezobrazí „5:00“.
3. Jednou stiskněte (Mikrovlnná trouba) a na obrazovce se zobrazí „PL10“.
4. Znovu stiskněte (Mikrovlnná trouba) a mikrovlnný výkon nastavte na 80 %.
5. Otočte a nastavte délku vaření, dokud se na displeji trouby nezobrazí „7:00“
6. Vaření zahájíte stisknutím (Start/+30 sek./Potvrdit). Při prvním kroku se ozve pípnutí bzučáku a spustí se odpočet rozmrazování. Po přechodu do druhého kroku vaření se znovu ozve pípnutí. Pípnutí se na konci vaření ozve 5x.

4.10 Funkce dotazování

1. V režimu grilování a kombinovaném režimu stiskněte (Mikrovlnná trouba) nebo (Gril/Kombinace) a aktuální úroveň výkonu se zobrazí po dobu 3 sekund. Po 3 sekundách se trouba vrátí do předchozího režimu.
2. Během vaření stiskněte (Minutka/Hodiny) a na displeji se po dobu 3 sekund zobrazí aktuální čas.

4.11 Dětský zámek

1. **Zamknutí:** V pohotovostním režimu stiskněte po 3 sekundy (Zastavit/Zrušit) a ozve se pípnutí, které značí, že je dětský zámek aktivovaný. Je-li čas již nastavený, rovněž se zobrazí aktuální čas; v opačném případě se na obrazovce LED zobrazí 0:00.
2. **Odemknutí:** Chcete-li vypnout dětský zámek, na 3 sekundy stiskněte (Zastavit/Zrušit) a ozve se dlouhé „pípnutí“, které značí, že je dětský zámek vypnutý.

4.12 Otevření dveří trouby

Stiskněte (Otevřít dveře) a dveře trouby se otevrou.

5.1 Čištění



VAROVÁNÍ: K čištění spotřebiče nikdy nepoužívejte benzín, rozpouštědlo, abrazivní čisticí prostředky, kovové objekty ani tvrdé kartáče.



VAROVÁNÍ: Spotřebič nebo jeho napájecí kabel nikdy neponořujte do vody či jiné kapaliny.

1. Vypněte spotřebič a odpojte napájecí kabel ze zásuvky.
2. Počkejte, než spotřebič zcela vychladne.
3. Vnitřní část trouby udržujte čistou. V případě, že na stěnách trouby zůstaly zbytky jídla nebo rozlité kapaliny, otřete je navlhčeným hadříkem. Pokud se trouba hodně znečistí, lze použít jemný čisticí prostředek. Vyhněte se použití sprejů a dalších čisticích látek, neboť mohou zanechat skvrny, značky a poničit povrch dveří.
4. Vnější povrchy trouby musí být vyčištěny navlhčeným hadříkem. Nedovolte, aby se voda dostala do větracích otvorů, abyste tak předešli poškození provozních částí v troubě.
5. Obě strany dveří a sklo, těsnění dveří a části v blízkosti těsnění často otírejte navlhčeným hadříkem, abyste odstranili skvrny způsobené rozstříknutím. Nepoužívejte abrazivní čisticí přípravky.
6. Nedovolte, aby ovládací panel zvlhnul. Vyčistěte měkkým navlhčeným hadříkem. Dveře trouby nechte otevřené, abyste během čištění ovládacího panelu předešli nežádoucímu spuštění.
7. Pokud se uvnitř trouby nebo v jejím okolí nahromadí pára, setřete ji měkkým hadříkem. K tomu může dojít, je-li mikrovlnná trouba provozována ve vysoce vlhkých podmínkách. To je normální.
8. V některých případech musíte při čištění vyjmut skleněný talíř. Skleněný talíř omyjte v teplé vodě nebo v myčce.

9. Válec a troubu je třeba čistit pravidelně, aby se předešlo nadměrné hlučnosti. Spodní část trouby stačí otřít hadříkem s jemným čisticím přípravkem. Kroužek lze umýt v teplé vodě nebo v myčce. Když kroužek vyjmete ze spodní části, při jeho vracení zkontrolujte, že jste ho nainstalovali správným směrem.
10. Abyste odstranili špatný zápach z trouby, vložte do mikrovlnné trouby misku s vodou a citrónovou šťávou a kůrou a troubu spusťte na 5 minut v mikrovlnném režimu. Důkladně otřete a vysušte měkkým hadříkem.
11. V případě, že je třeba provést výměnu žárovky v troubě, kontaktujte autorizovaný servis, prosím.
12. Trouba musí být pravidelně čištěna a jakékoli zbytky potravin musí být odstraněny. Není-li trouba udržována čistá, může to způsobit povrchové defekty, které by mohly negativně ovlivnit životnost spotřebiče, což by mohlo způsobit nebezpečí.
13. Tento spotřebič nelikvidujte společně s domácím odpadem; staré trouby musí být zlikvidovány ve speciálních centrech provozovaných městskými úřady.
14. Když se používá funkce grilu, může se objevit malé množství kouře a zápachu, což po určité době používání zmizí.

5.2 Skladování

- Pokud nechcete spotřebič delší dobu používat, důkladně jej uskladněte.
- Zkontrolujte, zda je spotřebič odpojený, vychladlý a zcela suchý.
- Spotřebič skladujte na suchém, chladném místě.
- Spotřebič skladujte mimo dosah dětí.

6 Odstraňování problémů

Normální	
Mikrovlnná trouba ruší TV příjem.	Při provozu mikrovlnné trouby může docházet k rušení rozhlasového a televizního příjmu. Je to podobné rušení malých elektrických spotřebičů, např. mixéru, vysavače a elektrického ventilátoru. To je normální.
Světlo v troubě je ztlumené.	Během mikrovlnného vaření při nízkém výkonu se může světlo v troubě ztlumit. To je normální.
Pára se kumuluje na dveřích, horkých vzduch vychází průduchy	Během vaření může z jídla vycházet pára. Většina páry vyjde průduchy. Ale někdy se může kumulovat na chladném místě, např. dveřích trouby. To je normální.
Omylem spuštěná trouba, bez vloženého jídla.	Je zakázané spouštět spotřebič, aniž by v něm byly nějaké potraviny. Je to velmi nebezpečné.

Problém	Možná příčina	Řešení
Troubu nelze spustit.	(1) Napájecí kabel není řádně zapojen.	Odpojte kabel. Po 10 sekundách ho znovu zapojte.
	(2) Pojistka zkratovala nebo se aktivoval jistič okruhu.	Vyměňte pojistku nebo restartujte jistič (opravu provedou profesionálové z naší společnosti).
	(3) Problém se zásuvkou.	V zásuvce vyzkoušejte jiné elektrické spotřebiče.
Trouba nehřeje.	(4) Dveře nejsou dobře zavřené.	Dveře řádně zavřete.
Skleněný otočný talíř vydává při spuštění mikrovlnné trouby hluk.	(5) Otočný talíř a spodní část trouby jsou špinavé.	Při čištění špinavých částí postupujte dle pokynů v „Čištění a údržba“.
Na displeji se zobrazí chyba E-3 a trouba nefunguje	(6) Dveře trouby nejde otevřít (z důvodu překážky přede dveřmi, nízkého napětí atd.).	Odpojte kabel. Po 10 sekundách ho znovu zapojte.




Lütfen önce bu kılavuzu okuyun!

Değerli Müşterimiz,

Beko ürününü tercih ettiğiniz için teşekkür ederiz. Yüksek kalite ve teknoloji ile üretilmiş olan ürününüzün size en iyi verimi sunmasını istiyoruz. Bunun için, bu kılavuzun tamamını ve verilen diğer belgeleri ürünü kullanmadan önce dikkatle okuyun ve bir başvuru kaynağı olarak saklayın. Ürünü başka birisine vererseniz, kullanma kılavuzunu da birlikte verin. Kullanma kılavuzunda belirtilen tüm bilgi ve uyarıları dikkate alarak talimatlara uyun.

Sembollerin anlamları

Bu kullanma kılavuzunun çeşitli kısımlarında aşağıdaki semboller kullanılmıştır:

	Cihazın kullanımıyla ilgili önemli bilgiler ve faydalı tavsiyeler.
	Can ve mal güvenliğiyle ilgili tehlikeli durumlar konusunda uyarılar.
	Sıcak yüzeylerle ilgili uyarı.



Bu ürün çevreye saygılı modern tesislerde doğaya zarar vermeden üretilmiştir.

İÇİNDEKİLER

1 Önemli güvenlik ve çevre talimatları 185

1.1 Genel güvenlik	185
1.1.1 Elektrik güvenliği	186
1.1.2 Ürün güvenliği	188
1.2 Kullanım amacı	188
1.3 Çocuk güvenliği	188
1.4 AEEE yönetmeliğine uyum ve atık ürünün elden çıkarılması	189
1.5 Ambalaj bilgisi	189

2 Mikrodalga fırınınız 190

2.1 Genel bakış	190
2.2 Teknik veriler	190
2.3 Döner Tablanın Kurulumu	191

3 Kurulum ve bağlantı 192

3.1 Kurulum ve bağlantı	192
3.2 Ankastr kurulum	193
3.2.1 Ankastr mobilya ölçüleri	193
3.2.2 Dolabın hazırlanması	194
3.2.3 Fırının monte edilmesi	195
3.3 Radyo paraziti	196
3.4 Mikrodalga pişirme prensipleri	196
3.5 Topraklama talimatları	196
3.6 Kap Testi	196

4 Kullanım 198

4.1 Kontrol paneli	198
4.2 Çalıştırma Talimatları	198
4.2.1 Saat Ayarı	198
4.2.2 Mikrodalga Fırında Pişirme	198
4.2.3 Mikrodalga Tuş takımı talimatları	199
4.3 Izgara veya Kombi Modunda Pişirme	199
4.3.1 (Izgara/Kombi) Tuş takımı talimatları	200
4.4 Konveksiyon	200
4.4.1 Konveksiyonla Pişirme (Ön ısıtma işlevi ile)	200
4.4.2 Konveksiyonlu Pişirme (ön ısıtma işlevi olmadan)	200
4.5 Hızlı Başlatma	201
4.6 Ağırlığa Göre Buz Çözme	201

4.7 Zamana Göre Buz Çözme	201
4.8 Mutfak Zamanlayıcısı(Sayaç)	201
4.9 Otomatik menü	202
4.9.1 Otomatik Pişirme Menüsü	202
4.10 Çok aşamalı pişirme	204
4.11 Sorgulama İşlevi	204
4.12 Çocuk Kilidi	204
4.13 Fırın kapağını açma	204

5 Temizlik ve bakım 205

5.1 Temizlik	205
5.2 Saklama	205
5.3 Taşıma ve Nakliye	205

6 Sorun giderme 206

7 Tüketici hizmetleri 207

1 Önemli güvenlik ve çevre talimatları

Bu bölümde, yangın riski, elektrik çarpması, kaçak mikrodalga enerjisine maruz kalınması, yaralanma ya da maddi hasar tehlikelerini önlemeye yardımcı olacak güvenlik talimatları yer almaktadır. Bu talimatlara uyulmaması halinde her türlü garanti geçersiz hale gelir.

1.1 Genel güvenlik

- Cihazın kapısı açıkken çalıştırmayı denemeniz, mikrodalga enerjisine zararlı bir şekilde maruz kalmanıza neden olabilir. Güvenlik kilitlerinin bozulmaması veya kurcalanmaması gerekir.
- Cihazın ön yüzü ile kapısı arasına herhangi bir nesne koymayın veya kapatma yüzeylerinde kir ya da temizlik maddesi kalıntılarının birikmesine izin vermeyin.
- Mikrodalga enerjisine maruz kalınmasına karşı koruma sağlayan kapağın sökülmesini içeren herhangi bir servis ve onarım işlerini yetkili kişi/servis dışında kişilerin yapması tehlikelidir.
- Cihaz sadece evde, gıdaların hazırlanması, ısıtılması ve buzlarının çözülmesi için kullanılmak üzere tasarlanmıştır; ticari maksatla kullanılmamalıdır.

Kurallara aykırı kullanım yüzünden oluşan hasarlar için üretici mesul tutulamaz.

- Cihazı dış mekanlarda veya banyoda, nemli ortamlarda ve ürünün ıslanma riski olduğu yerlerde kullanmayın.
- Hatalı kullanımdan veya cihazın uygunsuz şekilde taşınmasından kaynaklanan hasarlar için herhangi bir sorumluluk veya garanti talebi kabul edilmez.
- Kesinlikle cihazı parçalara ayırmayın. Hatalı kullanımın neden olduğu hasar için hiçbir garanti talebi kabul edilmez.
- Sadece orijinal parçaları veya üretici tarafından tavsiye edilen parçaları kullanın.
- Kullanımda olduğu zaman bu cihazın yanından ayrılmayın.
- Cihazı daima dengeli, düz, temiz, kuru ve kaymayan bir yüzey üzerinde kullanın.
- Bu cihaz harici bir zamanlayıcı veya ayrı bir uzaktan kumanda sistemiyle çalıştırılmamalıdır.
- Cihazı ilk kez kullanmadan önce tüm parçalarını temizleyin. Lütfen "Temizlik ve bakım" bölümündeki ayrıntılara bakın.

1 Önemli güvenlik ve çevre talimatları

- Cihazı, bu kılavuzda belirtildiği gibi sadece kendi kullanım amacı doğrultusunda kullanın. Bu cihazda aşındırıcı kimyasal maddeler veya buharlar kullanmayın. Bu fırın özellikle yiyecekleri ısıtmak, pişirmek için tasarlanmıştır. Sanayi veya laboratuvar kullanımı için tasarlanmamıştır.
- Cihazı giysi ya da mutfak havlularınızı kurutmak için kullanmayın.
- Kullanım sırasında cihaz çok ısınır. Cihazın içindeki sıcak elemanlara dokunmamaya dikkat edilmelidir.
- Cihaz hiç bir canlıyı kurutmak için tasarlanmamıştır.
- Cihaz boşken çalıştırmayın.
- Isıtılan yiyecekten kaba aktarılan ısı yüzünden pişirme kabı ısınabilir. Kabı tutmak için fırın eldivenleri gerekebilir.
- Mikrodalga fırınlarda kullanıma uygun olduklarından emin olmak için kaplar kontrol edilmelidir.
- Cihazı ocak veya diğer ısı üreten cihazların üzerine yerleştirmeyin. Aksi takdirde hasar görebilir ve garanti geçersiz kalır.
- Mikrodalga fırın kurulum talimatlarına uygun olmayan bir kabin içine yerleştirilmemelidir.
- Yiyeceği pişirdikten sonra kapakları ya da folyoyu açarken buhar püskürebilir.
- Her türlü ısıtılmış yiyeceği çıkartırken eldiven kullanın.
- Kullanım esnasında cihaz ve erişilebilir yüzeylerin sıcaklıkları yüksek olabilir.
- Kullanım esnasında kapı ve dış cam sıcaklıkları yüksek olabilir.

1.1.1 Elektrik güvenliği

- Beko Mikrodalga Fırın, geçerli güvenlik standartlarına uygundur; bundan dolayı herhangi bir tehlikeyi önlemek için cihaz veya elektrik kablosu hasar görmesi durumunda satıcı, servis merkezi veya benzeri uzman ve yetkili servis tarafından onarılmalı veya değiştirilmelidir. Hatalı veya yeterli olmayan onarım işlemleri, kullanıcıya yönelik tehlike ve riskler meydana getirebilir.
- Şebeke güç kaynağınızın cihazın tip etiketinde belirtilen bilgilere uygun olduğundan emin olun. Cihazı güç kaynağından ayırmanın tek yolu elektrik fişini prizden çekmektir.
- Cihazı topraklı prizde kullanın.

1 Önemli güvenlik ve çevre talimatları

- Elektrik kablosu veya cihaz hasarlıysa cihazı asla kullanmayın.
- Bu cihazı uzatma kablosuyla kullanmayın.
- Elleriniz nemli veya ıslakken cihaza veya cihazın fişine asla dokunmayın.
- Cihazı, elektrik fişine her zaman ulaşılabilir şekilde yerleştirin.
- Elektrik kablosunun hasar görmesini önlemek için sıkışmasını, kıvrılmasını veya keskin kenarlara sürtünmesini engelleyin. Elektrik kablosunu sıcak yüzeylerden ve açık alevden uzak tutun.
- Cihazın kullanımı esnasında elektrik kablosunun yanlışlıkla çekilmesi veya birinin kabloya takılma tehlikesinin olmadığından emin olun.
- Cihazı temizlemeden önce her zaman prizden çekin ve cihaz kullanımdayken asla temizlik yapmayın.
- Cihazı güç kaynağından ayırmak için kablosundan çekmeyin ve kablosunu cihazın etrafına sarmayın.
- Cihazı, elektrik kablosunu veya elektrik fişini suya ya da diğer sıvılara batırmayın. Akan suyun altında tutmayın.
- Plastik veya kağıt kaplardaki yiyecekleri ısıtırken tutuşma olasılığına karşı fırını sık sık kontrol edin.
- Mikrodalga fırında kullanıma uygun torbaları fırına yerleştirmeden önce kağıt veya naylon torbaların tel bağcıklarını ve/veya metal tutamaklarını çıkartın.
- Duman gözlenirse cihazın düğmesini kapatın veya fişini çıkarın ve alev almasını engellemek için kapağı kapalı tutun.
- Cihazın iç kısmını bir şeyler saklamak amacıyla kullanmayın. Cihaz kullanımda değilken içinde kağıt ürünler, yemek pişirme malzemeleri veya yiyecek bırakmayın.
- Yanık tehlikesini önlemek için biberon ve bebek maması kavanozlarının içindeki yiyecekler, tüketilmeden önce karıştırılmalı veya çalkalanmalı ve sıcaklığı kontrol edilmelidir.
- Bu ürün bir Grup 2 Sınıf B ISM cihazıdır. Grup 2, maddelerin işlenmesi için içinde radyo frekans enerjisi kasıtlı olarak üretilen ve/veya elektromanyetik ışımaya biçiminde kullanılan tüm ISM (endüstriyel, bilimsel ve tıbbi) cihazlar ve kıvılcım ile aşındırma cihazlarıdır.
- Sınıf B cihazları, evlerde ve insanların yaşadığı binalara elektrik sağlayan düşük gerilimli elektrik şebekesine doğrudan bağlı binalarda kullanılmak için uygundur.

1 Önemli güvenlik ve çevre talimatları

- Cihaz çalışırken kapak veya dış yüzey ısınabilir.
- Cihazın arkasında ve yanlarında bulunan gerekli hava sirkülasyonunun sağlanması için kabin duvarları ile cihaz arasındaki min. mesafenin korunmasını sağlayan parçaları asla çıkarmayın.

1.1.2 Ürün güvenliği

- Patlama tehlikesi olduğu için sıvılar veya diğer yiyecekler kapalı kaplarda ısıtılmamalıdır.
- İçeceklerin mikrodalga ile ısıtılması, fırından çıkarıldıktan sonra püskürerek kaynamasına neden olabilir; bu nedenle kaplar tutulurken dikkatli olunmalıdır.
- Fırında kızartma yapmayın. Sıcak yağ fırın parçalarına ve malzemelerine zarar verebilir hatta cilt yanıklarına neden olabilir.
- Patates, bütün kabak, elma ve kestane gibi kalın kabukları olan yiyecekleri pişirmeden önce delin.
- Cihaz, arka kısmı duvara gelecek şekilde yerleştirilmelidir.
- Kapı ve kapı contaları zarar görürse fırın, yetkili kişi tarafından onarılanaya kadar çalıştırılmamalıdır.
- Cihazı taşımadan önce, hasar görmesini önlemek için lütfen döner tablayı sabitleyin.
- Mikrodalga fırınınızı kabuklu veya kabuksuz, çırpılmamış yumurtaları pişirmek veya tekrar ısıtmak için kullanmayın.

1.2 Kullanım amacı

- Mikrodalga fırın sadece ankastre olarak kullanılır.
- Cihazı, kullanım amacının dışında hiçbir amaç için kullanmayın.
- Cihazı ısı kaynağı olarak kullanmayın.
- Mikrodalga fırın yalnızca yiyeceklerin buzunu çözmek, pişirmek ve buğulama yapmak içindir.
- Yiyecekleri gereğinden fazla pişirmeyin yangına neden olabilirsiniz.
- Cihazın temizlenmesinde buharlı temizleyiciler kullanılmamalıdır.

1.3 Çocuk güvenliği

- Cihaz çocukların ve sınırlı fiziksel, duyuşal ya da zihinsel kapasiteye sahip insanların yakınında kullanıldığında son derece dikkatli olunması tavsiye edilir.

1 Önemli güvenlik ve çevre talimatları

- Bu cihaz, cihazın güvenli bir şekilde kullanımıyla ilgili olarak gözetim altında tutulmaları veya kendilerine talimat verilmesi ve cihazın kullanımıyla ilgili tehlikeleri anlamaları koşuluyla 8 yaş ve üzeri çocuklar ile kısıtlı fiziksel, duyuşsal veya zihinsel kapasiteye sahip olan ya da bilgi ve deneyimi olmayan kişilerce kullanılabilir. Çocuklar cihazla oynamamalıdır. Temizlik ve kullanıcı bakım işlemleri, başlarında bir büyük olmadığı sürece çocuklar tarafından yapılmamalıdır.
- Boğulma tehlikesi! Tüm ambalaj malzemelerini çocuklardan uzak tutun.
- Çocukların, fırını başlarında biri olmadan kullanmasına, yalnızca fırını güvenli bir şekilde kullanabilmeleri için yeterli talimatları verdikten ve uygunsuz kullanımın tehlikelerini kavramalarını sağladıktan sonra izin verin.
- Izgara veya kombi modunda oluşacak ısınmalardan dolayı çocuklar bu modları sadece yetişkin birinin gözetiminde kullanılmalıdır.
- Cihazı ve şebeke kablosunu 8 yaşından küçük çocukların erişemeyeceği yerde bulundurun.

- Kullanım esnasında cihaz ve erişilebilir yüzeylerin sıcaklıkları yüksek olabilir. Çocuklar uzak tutulmalıdır.

1.4 AEEE yönetmeliğine uyum ve atık ürünün elden çıkarılması



Bu ürün, T.C. Çevre ve Şehircilik Bakanlığı tarafından yayımlanan "Atık Elektrikli ve Elektronik Eşyaların Kontrolü Yönetmeliği"nde belirtilen zararlı ve yasaklı maddeleri içermez. AEEE Yönetmeliğine uygundur. Bu ürün, geri dönüşümlü ve tekrar kullanılabilir nitelikteki yüksek kaliteli parça ve malzemelerden üretilmiştir.

Bu nedenle, ürünü, hizmet ömrünün sonunda evsel veya diğer atıklarla birlikte atmayın. Elektrikli ve elektronik cihazların geri dönüşümü için bir toplama noktasına götürün. Bu toplama noktalarını bölgenizdeki yerel yönetime sorun. Kullanılmış ürünleri geri kazanıma vererek çevrenin ve doğal kaynakların korunmasına yardımcı olun.

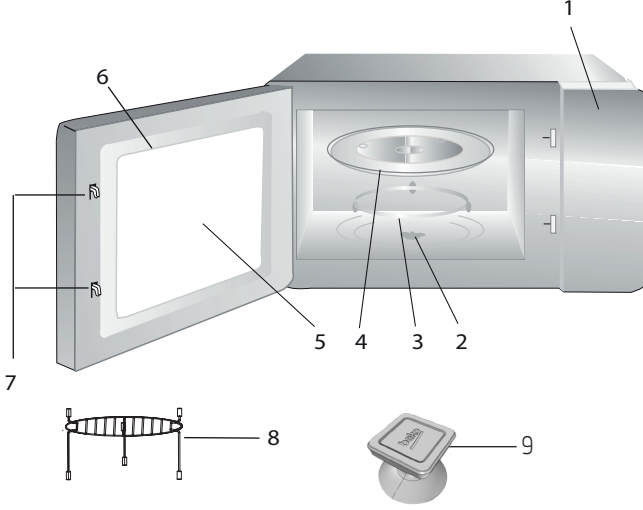
1.5 Ambalaj bilgisi



Ürünün ambalajı, Ulusal Mevzuatımız gereği geri dönüştürülebilir malzemelerden üretilmiştir. Ambalaj atığını evsel veya diğer atıklarla birlikte atmayın, yerel otoritenin belirttiği ambalaj toplama noktalarına atın.

2 Mikrodalga fırınınız

2.1 Genel bakış



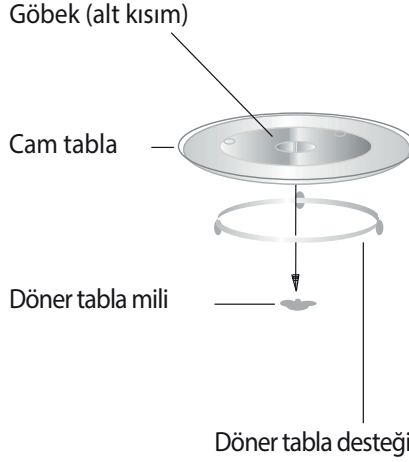
1. Kontrol paneli
2. Döner tabla mili
3. Döner tabla desteği
4. Cam tabla
5. Fırın camı
6. Kapak grubu
7. Kapak güvenlik kilidi sistemi
8. Izgara rafı (Sadece ızgara işlevinde kullanılır ve cam tepsinin üzerine yerleştirilir.)
9. Manuel kapı açma vantuzu.

2.2 Teknik veriler

Güç Tüketimi	230 V~50 Hz, 1450 W (Mikrodalga) 2500 W (Konveksiyon) 1100 W (Grill)
Çıkış	900 W
Çalışma frekansı	2450 MHz
Amper değeri	11.5 A
Dış boyutlar	595 x 470 x 388 mm
Fırın iç boşluğu boyutları	226 x 328 x 346 mm
Fırın Kapasitesi	25 Litre
Net Ağırlık	21.0 kg

Ürünün üzerinde bulunan işaretlemelerde veya ürünle birlikte verilen diğer basılı dökümanlarda beyan edilen değerler, ilgili standartlara göre laboratuvar ortamında elde edilen değerlerdir. Bu değerler, ürünün kullanım ve ortam şartlarına göre değişebilir. Güç değerleri 230V'da test edilmiştir.

2.3 Döner Tablanın Kurulumu



- Cam tablayı asla ters yerleştirmeyin. Cam tablanın hareketi asla kısıtlanmamalıdır.
- Pişirme sırasında hem cam tabla hem de döner tabla desteği daima kullanılmalıdır.
- Tüm gıdalar ve gıda kapları pişirme için daima cam tablanın üzerine yerleştirilmelidir.
- Cam tabla veya döner tabla desteği çatlak veya kırılırsa, en yakın yetkili servis merkezine başvurun.

3 Kurulum ve bağlantı

3.1 Kurulum ve bağlantı

- Tüm ambalaj malzemelerini ve aksesuarları çıkarın. Cihazda göçük veya kırık kapak gibi hasarlar olup olmadığını inceleyin. Hasar görmüşse cihazı kurmayın.
- Mikrodalga fırın kabin yüzeyinde bulunan koruyucu filmleri sökün.
- Magnetronu korumak için fırın boşluğuna yapıştırılan açık kahverengi Mika kılıfı sökmeyin.
- Bu cihaz, sadece evde kullanılmak üzere tasarlanmıştır.
- Bu cihaz, sadece ankastre kullanım için tasarlanmıştır. Tezgah üzerinde kullanım veya bir dolap içinde kullanım için uygun değildir.
- Lütfen özel kurulum talimatlarına uyun.
- Cihaz duvara monte edilmiş 60 cm genişliğinde bir dolaba (en az 55 cm derinliğinde ve zeminden 85 cm yükseklikte) takılabilir.
- Cihazın bir fişi bulunmaktadır ve sadece doğru bir şekilde monte edilmiş topraklı bir prize bağlanmalıdır.
- Şebeke gerilimi tip etiketinde belirtilen gerilimle aynı olmalıdır.
- Eğer kurulum sonrası priz ulaşılmaz durumda kalıyorsa, kurulum tarafında kontak uçları arasında 3mm ve bütün kutupları izolasyonlu bir priz kullanılmalıdır.
- Adaptörler, çoklu prizler ve uzatma kabloları kullanılmamalıdır. Aşırı yüklenme yangın riskine neden olabilir.



Erişilebilir yüzeyler çalışma sırasında sıcak olabilir.

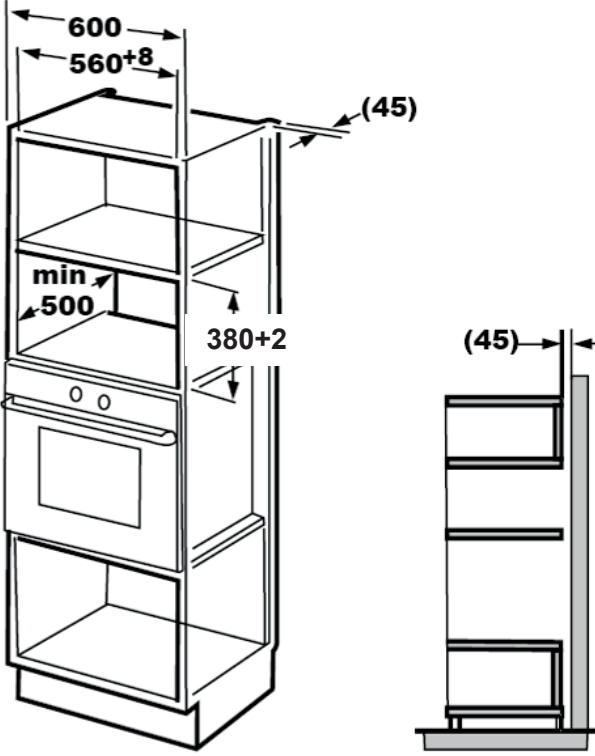


Elektrik kablosunu sıkıştırmayın veya bükmeyin.

3 Kurulum ve bağlantı

3.2 Ankastre kurulum

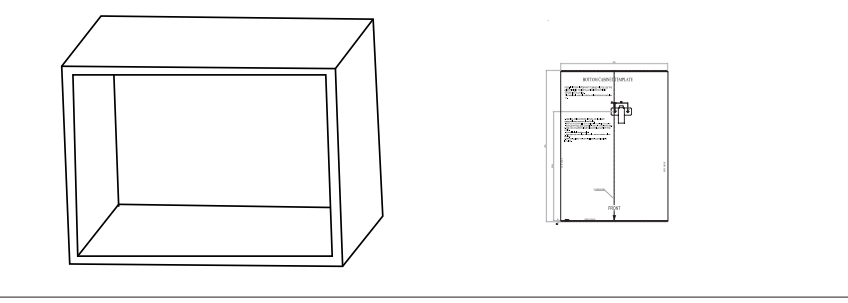
3.2.1 Ankastre mobilya ölçüleri



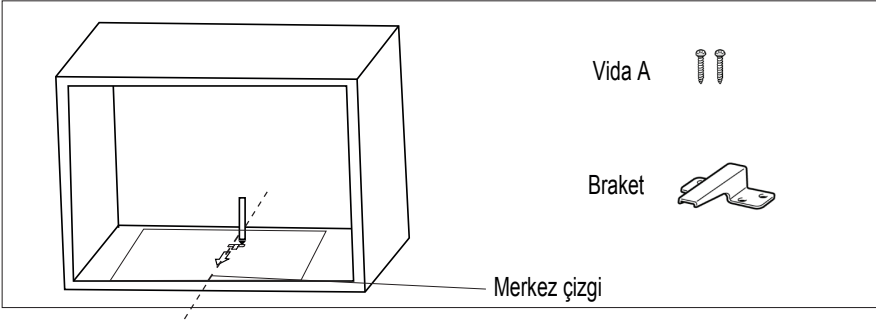
3 Kurulum ve bağlantı

3.2.2 Dolabın hazırlanması

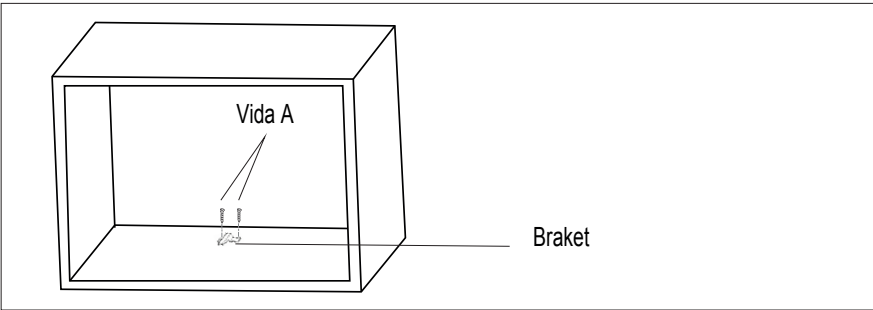
1. Alt dolap şablonu üzerindeki talimatları okuyun, şablonu dolabın alt yüzeyi üzerine yerleştirin.



2. Dolabın alt yüzeyinde şablondaki "a" işaretlerine göre işaret koyun.



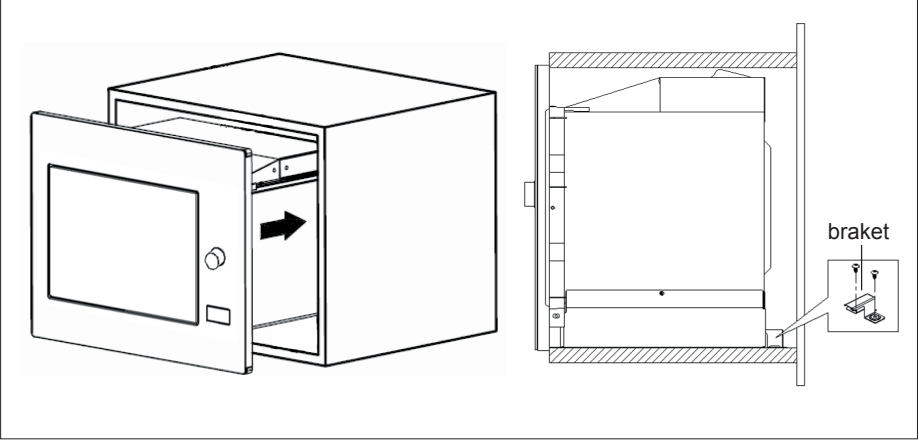
3. Dolap alt şablonunu çıkarın ve braketleri A vidalarıyla sabitleyin.



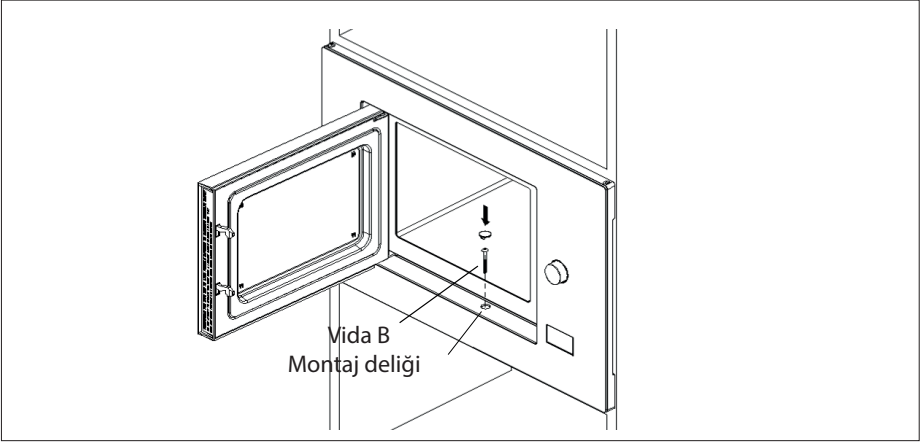
3 Kurulum ve bağlantı

3.2.3 Fırının monte edilmesi

1. Fırını dolaba monte edin.
 - Fırının arka kısmının braket ile kilitlendiğinden emin olun.
 - Elektrik kablosunu sıkıştırmayın veya bükmeyin.



2. Kapağı açın, fırını montaj deliğine B vidasıyla dolaba sabitleyin. Ardından, döşeme kiti plastik kapağını montaj deliğine sabitleyin.



3 Kurulum ve bağlantı

3.3 Radyo paraziti



Mikrodalga fırının çalışması radyo, televizyon veya benzeri donanımlarda parazite neden olabilir.

- Cihazı radyo ve TV'lerden mümkün olduğunca uzağa yerleştirin. Mikrodalga fırının çalışması radyo veya TV yayınlarında parazitlenmeye neden olabilir. 2. Cihazı standart bir ev prizine bağlayın. Gerilim ve frekansın tip etiketi üzerindeki gerilim ve frekansla aynı olduğundan emin olun.
- Parazit olması durumunda, aşağıdaki önlemler alınarak parazit azaltılabilir veya yok edilebilir.
- Cihazın kapağını ve sızdırmazlık yüzeyini temizleyin.
- Radyonun veya televizyonun anten yönünü yeniden ayarlayın.
- Cihazı alıcıya göre tekrar konumlandırın.
- Cihazı alıcıdan uzak bir yere yerleştirin.
- Cihazı başka bir elektrik prizine takın; böylece mikrodalga fırın ve alıcı farklı hatlarda olacaktır.

3.4 Mikrodalga pişirme prensipleri

- Yiyeceği dikkatli şekilde hazırlayın. Kalın kısımları tabağın dışına doğru yerleştirin.
- Pişirme süresine dikkat edin. Belirtilen en kısa süreyle pişirin ve gerekirse biraz daha süre ekleyin. Aşırı pişirilen yiyecekler duman oluşturabilir ya da tutuşabilir.
- Pişirme esnasında yiyeceklerin üzerini örtün. Yiyeceklerin üzerinin örtülmesi sıçramaları önler ve yiyeceklerin eşit şekilde pişmesine yardımcı olur.
- Tavuk ve hamburger gibi yiyeceklerin pişmelerini hızlandırmak için mikrodalgayla pişirme işlemi esnasında bu yiyecekleri bir kez çevirin. Rostu gibi büyük yiyecekler en az bir kere çevrilmelidir.

- Köfte gibi yiyecekleri pişirme işleminin ortasında alt üst edin ve tabağın ortasından dışına doğru yerlerini değiştirin.

3.5 Topraklama talimatları

Bu cihaz mutlaka topraklanmalıdır. Bu fırında topraklama fişli bir topraklama kablosu bulunmaktadır. Cihaz doğru şekilde takılmış ve topraklanmış bir duvar prizine takılmalıdır. Elektrikğin kısa devre yapması durumunda topraklama sistemi elektrik akımı için bir kaçış teli sağlayarak elektrik çarpması riskini azaltır. Sadece fırına özel bir elektrik devresinin kullanılması tavsiye edilir. Yüksek gerilimin kullanılması tehlikelidir ve yangına veya fırının hasar görmesine yol açacak diğer kazaların oluşmasına neden olabilir.



UYARI: Topraklama fişinin hatalı kullanılması elektrik çarpmasıyla sonuçlanabilir.



Topraklama veya elektrik talimatları konusunda sorunuz varsa ehliyetli bir elektrik teknisyenine veya servis personeline danışın.



Elektrik bağlantısı prosedürlerinin takip edilmemesi nedeniyle fırında oluşabilecek hasarlardan ya da yaralanmalardan dolayı üretici ve/veya satıcı firma sorumluluk kabul etmez.

3.6 Kap Testi

Cihazı asla yiyeceksiz çalıştırmayın. Tek istisna devamda belirtilmiş olan kap testidir. Bazı belirli metalik olmayan kaplar cihazda kullanılmaya uygun olmayabilir. Eğer kabınınız cihaza uygun olup olmadığından emin değilseniz aşağıdaki testi yapabilirsiniz.

1. Test edeceğiniz boş kabı, 250 ml su ile dolu mikrodalgaya dayanıklı bir bardağın yanında cihaza yerleştirin.
2. 1 dakika maksimum güçte çalıştırın.

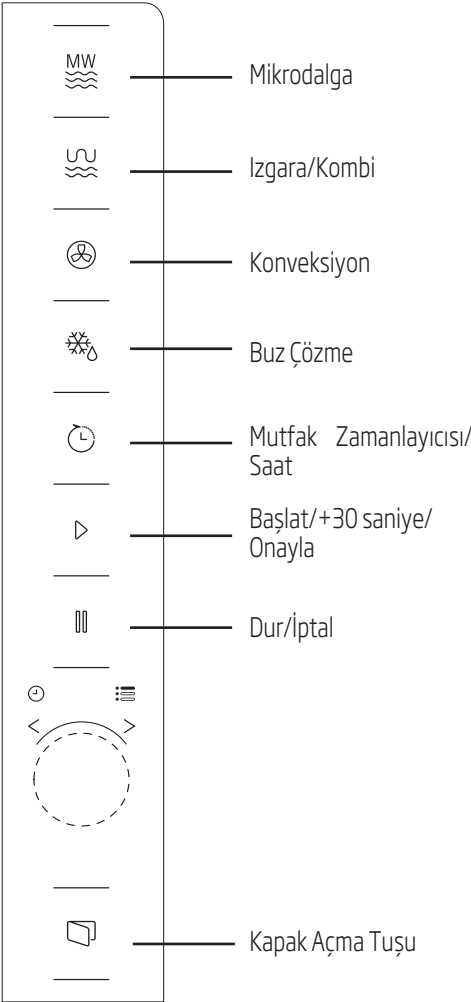
3 Kurulum ve bağlantı

3. Test ettiğiniz kabın sıcaklığını dikkatlice kontrol ediniz. Kap ısınmışsa cihaz kullanımına uygun değildir.
- 4.1 dakikalık çalıştırma zamanını asla aşmayın. 1 dakikalık çalışma esnasında arklanma görürseniz cihazı durdurun. Arklanma yapan kap cihaz kullanımına uygun değildir.

Aşağıdaki liste doğru kap seçmenize yardımcı olacak genel bir kılavuздur.

Piştirme kabı	Mikrodalga	Izgara	Kombi
Isıya dayanıklı cam	Evet	Evet	Evet
Isıya dayanıklı olmayan cam	Hayır	Hayır	Hayır
Isıya dayanıklı seramikler	Evet	Evet	Evet
Mikrodalga fırına uygun plastik tabak	Evet	Hayır	Hayır
Kağıt mutfak ürünleri	Evet	Hayır	Hayır
Metal tepsi	Hayır	Evet	Hayır
Metal raf	Hayır	Evet	Hayır
Alüminyum folyo ve folyo kaplar	Hayır	Evet	Hayır
Köpük Malzemeler	Hayır	Hayır	Hayır



4.1 Kontrol paneli



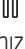
4.2 Çalıştırma Talimatları

4.2.1 Saat Ayarı

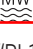


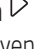
Cihaza enerji verildiğinde, LED ekranda "0:00" görüntülenir ve sesli uyarı bir kez çalar.

1. ⌚ (Mutfak Zamanlayıcısı / Saat) tuşuna iki kez basın, saati gösteren rakamlar yanıp sönecektir.
2. Saati gösteren rakamları ayarlamak için  düğmesini çevirin, girilen saat değeri 0-23 arasında olmalıdır.
3. ⌚ (Mutfak Zamanlayıcısı / Saat) tuşuna basın, dakikayı gösteren rakamlar yanıp söner.
4. Dakikayı gösteren rakamları ayarlamak için  düğmesini çevirin, girilen dakika değeri 0-59 arasında olmalıdır.
5. Saat ayarını bitirmek için ⌚ (Mutfak Zamanlayıcısı / Saat) tuşuna basın. ":" işareti yanıp sönecektir ve saat yanacaktır.



Saatin ayarlanması sırasında  (Dur/İptal) düğmesine basarsanız, fırın otomatik olarak önceki duruma geri dönecektir.

4.2.2 Mikrodalga Fırında Pişirme

1.  (Mikrodalga) tuşuna basın, LED ekranda "PL10" görüntülenecektir.
2. İstediğiniz gücü seçmek için  (Mikrodalga) tuşuna tekrar basın, her basışınızda sırayla "PL10", "PL8", "PL5", "PL3" veya "PL1" görüntülenecektir.
3. Tuşuna basın ve pişirme süresini 0:05 ile 95:00 arasında ayarlamak için  düğmesini çevirin.
4. Pişirmeye başlamak için  (Başlat/+30 Saniye/Onayla) tuşuna yeniden basın.

4 Kullanım



Örnek: 20 dakika pişirme işlemi için %80 mikrodalga gücü kullanmak istiyorsanız, aşağıdaki adımları kullanarak fırını çalıştırabilirsiniz.

5. (Mikrodalga) tuşuna bir kez basın, ekranda "PL10" görüntülenecektir.
 6. (Mikrodalga) tuşuna bir kez daha basın veya %80 mikrodalga gücünü seçmek düğmesini çevirin.
 7. Pişirme süresini ayarlamak için düğmesini fırının ekranında "20:00" görüntülenene kadar çevirin.
 8. Pişirmeye başlamak için (Başlat/+30 Saniye/Onayla) tuşuna basın.
- Kodlama düğmesinde sürenin ayarlanması için basamak miktarları aşağıdaki gibidir:

Süre Ayarı	Basamak Miktarı
0-1 dakika	5 saniye
1-5 dakika	10 saniye
5-10 dakika	30 saniye
10-30 dakika	1 dakika
30-95 dakika	5 dakika

4.2.3 Mikrodalga Tuş takımı talimatları

Sıra	Ekran	Mikrodalga Gücü
1	PL10	%100
2	PL8	%80
3	PL5	%50
4	PL3	%30
5	PL1	%10

4. 3 Izgara veya Kombi Modunda Pişirme

1. (Izgara/Kombi) düğmesine basın, LED ekranda "G" görüntülenecektir, istediğiniz gücü seçmek için (Izgara/Kombi) tuşuna tekrar tekrar basın, her basışınızda sırayla "C-1", "C-2", "C-3" veya "C-4" görüntülenecektir.
2. Pişirme süresini **00:05** ile 95:00 arasında ayarlamak için düğmesini çevirin.
3. Pişirmeye başlamak için (Başlat/+30 Saniye/Onayla) tuşuna yeniden basın.



Örnek: 10 dakika pişirme işlemi için Combi (MWO+Grill) (C-2) işlevini kullanmak istiyorsanız, aşağıdaki adımları kullanarak fırını çalıştırabilirsiniz.

1. (Izgara/Kombi) tuşuna bir kez basın, ekranda "G" görüntülenecektir.
2. (Izgara/Kombi) tuşuna iki kez daha basın.
3. Pişirme süresini ayarlamak için düğmesini cihazın ekranında "10:00" görüntülenene kadar çevirin.
4. Pişirmeye başlamak için (Başlat/+30 Saniye/Onayla) tuşuna basın.

4.3.1 (Izgara/Kombi) Tuştakımı talimatları

Sıra	Ekran	Mikrodalga Gücü	Izgara	Konveksiyon
1	C-1	●		●
2	C-2	●	●	
3	C-3		●	●
4	C-4	●	●	●




Izgara süresinin yarısı dolduğunda, cihaz iki kez sesli uyarı verir, bu normaldir. Daha iyi bir ızgara etkisi elde etmek için gıdanın ters çevrilmesi gerekir, ardından kapağı kapatın ve pişirmeye devam etmek için (Başlat/+30 Saniye/Onayla) düğmesine basın. Herhangi bir işlem yapılmazsa, cihaz çalışmaya devam eder.

4.4 Konveksiyon

4.4.1 Konveksiyonla Pişirme (Ön ısıtma işlevi ile)

Konveksiyonla pişirme yiyecekleri geleneksel bir fırındaki gibi pişirmenizi sağlar. Mikrodalga kullanılmaz. Yiyecekleri fırına yerleştirmeden önce fırını uygun sıcaklığa ısıtmanız önerilir.

1. "⊗" (Konveksiyon) düğmesine 1 kez basın ve ekranda "130°C" gösterilir.
2. "⊗" Konveksiyon tuşuna arka arkaya basarak düğmesini çevirerek 130 derece ile 220 derece arasında bir sıcaklık değeri seçin.

3. Ön ısıtma işlevini başlatmak için "▷" (Başlat/+30 Saniye/Onayla) düğmesine basın. Ön ısıtma sıcaklığına erişildiğinde yiyecekleri fırına yerleştirmeniz için sesli uyarı verilir. Ardından ön ısıtma sıcaklığı yanıp söner.
4. Yiyeceği fırına koyup kapağı kapatın.  Döndürerek pişirme süresini ayarlayın. (Maksimum ayar süresi 95 dakikadır.)
5. Pişirme işlevini başlatmak için "▷" (Başlat/+30 Saniye/Onayla) düğmesine basın.



Ön ısıtma sıcaklığına erişilene kadar pişirme süresi ayarlanamaz.

Sıcaklığa erişilirse pişirme süresini ayarlamak için kapı açılmalıdır. Süre 5 dakika içerisinde ayarlanmazsa fırın ön ısıtma işlevini durdurur. Sesli uyarı 5 kez verilir ve bekleme durumuna geri dönlür.

4.4.2 Konveksiyonlu Pişirme (ön ısıtma işlevi olmadan)

1. "⊗" (Konveksiyon) düğmesine 1 kez basın ve ekranda "130°C" gösterilir.

4 Kullanım

2. "☉" Konveksiyon tuşuna arka arkaya basarak düğmesini çevirerek 130 derece ile 220 derece arasında bir sıcaklık değeri seçin.
3. Sıcaklığı onaylamak için "▷" (Başlat/+30 Saniye/Onayla) düğmesine basın.
4. "☰" Döndürerek pişirme süresini ayarlayın. (Maksimum ayar süresi 95 dakikadır.)
5. Pişirme işlevini başlatmak için "▷" (Başlat/+30 Saniye/Onayla) düğmesine basın.

4.5 Hızlı Başlatma

1. Bekleme durumundayken, %100 mikrodalga gücüyle pişirmeye başlamak için ▷ (Başlat/+30 Saniye/Onayla) tuşuna basın, düğmeye her basıldığında pişirme süresi 95 dakikaya kadar 30 saniye aralıklarla artacaktır.
2. Cihazda pişirme, ızgara ve kombi modunda pişirme veya zamana göre buz çözme durumundayken, ▷ (Başlat/+30 Saniye/Onayla) tuşuna her basıldığında pişirme süresi 30 saniye artacaktır.
3. Bekleme durumundayken, %100 mikrodalga gücüyle pişirmeye başlamak için ☰ düğmesini saatin tersi yönde çevirerek pişirme süresini ayarlayın, ardından pişirmeye başlamak için ▷ (Başlat/+30 Saniye/Onayla) tuşuna basın.



Otomatik menü ve ağırlığa göre buz çözme modlarında, ▷ (Başlat/+30 Saniye/Onayla) tuşuna basılması pişirme süresinin artırılmasını sağlamaz.

4.6 Ağırlığa Göre Buz Çözme

1. ☉ (Buz çözme) düğmesine 1 kez basın.

2. Gıdanın ağırlığını 100 ile 2000 g arasında seçmek için ☰ düğmesini çevirin.
3. Buz çözme başlatmak için ▷ (Başlat/+30 Saniye/Onayla) tuşuna basın.

4.7 Zamana Göre Buz Çözme

1. ☉ (Buz Çözme) tuşuna iki kez basın.
2. Buz çözme süresini seçmek için ☰ düğmesini çevirin. Maksimum süre 95 dakikadır.
3. Buz çözme başlatmak için ▷ (Başlat/+30 Saniye/Onayla) tuşuna basın. Buz çözme gücü P30'dur ve değiştirilemez.

4.8 Mutfak Zamanlayıcısı(Sayaç)

Cihazda, fırın fonksiyonları ile bağlantılı olmayan, mutfakta ayrıca kullanabileceğiniz otomatik bir sayaç vardır (max. 95 dakika ayarlanabilir.)




1. ⌚ (Mutfak Zamanlayıcısı/Saat) tuşuna bir kez basın, LED ekranda 00:00 görüntülenecektir.
2. Doğru zamanı girmek için ☰ düğmesini çevirin.
3. Ayarı onaylamak için ▷ (Başlat/+30 Saniye/Onayla) tuşuna basın.
4. Girilen süreden geri sayarak 00:00 ulaşıldığında sesli uyarı 3 kez çalar ve ekranda END yazısı görünür.
5. Sayaç herhangi bir anda iptal etmek için ☰ (Dur/İptal) tuşuna basın.



Mutfak saati 24 saatlik sistemden farklıdır. Mutfak Zamanlayıcısı bir zamanlayıcıdır.

4 Kullanım

4.9 Otomatik menü

1. İstedığınız menüyü seçmek için saat yönünde döndürün. "AC01" ve "AC10" arasından bir menü seçin.
2. Onaylamak için  (Başlat/+30 Saniye/ Onayla) düğmesine basın.
3. Varsayılan ağırlığı menü çizelgesine göre seçmek için  çevirin.
4. Pişirme işlevini başlatmak için  (Başlat/+30 Saniye/Onayla) düğmesine basın.

4.9.1 Otomatik Pişirme Menüsü

Menü	Ağırlık	Ağırlık	Güç
AC01 Pizza	200 g	200 g	C-4 / Izgara
	300 g	300 g	
	400 g	400 g	
AC02 Et	150 g	150 g	100%
	300 g	300 g	
	450 g	450	
	600 g	600 g	
AC03 Sebze	150 g	150 g	100%
	350 g	350 g	
	500 g	500 g	
AC04 Makarna	50 g (450 ml soğuk su ile)	50 g	80%
	100 g (800 ml soğuk su ile)	100 g	
	150g (1200 ml soğuk su ile)	150 g	
AC05 Kek	475 g	475 g	160° C Ön Isıtma
AC06 Patates	1 (yaklaşık 230 g)	1	100%
	2 (yaklaşık 460 g)	2	
	3 (yaklaşık 690 g)	3	

4 Kullanım

AC07 Balık	150 g	150 g	80%
	250 g	250 g	
	350 g	350 g	
	450 g	450 g	
	650 g	650 g	
AC08 İçecek	1 bardak (yaklaşık 240 g)	1	100%
	2 bardak (yaklaşık 480 g)	2	
	3 bardak (yaklaşık 720 g)	3	
AC09 Patlamış mısır	50 g	50	100% mikrodalga
	100 g	100	
AC10 Tavuk	500g	500g	200° C Ön Isıtma
	750g	750g	
	1000g	1000g	
	1200g	1200g	

4.10 Çok aşamalı pişirme

Piştirme için en fazla üç aşama seçilebilir. Çok aşamalı pişirmede, aşamalardan biri buz çözme işe, buz çözme işlemi ilk aşamaya yerleştirilmelidir.



5 dakika boyunca gıdaların buzunu çözmek, ardından 7 dakika boyunca %80 mikrodalga gücünde pişirmek istiyorsanız, aşağıdaki şekilde ilerleyin.

1. (Zamana Göre Buz Çözme) tuşuna iki kez basın.
2. Buz çözme süresini seçmek için düğmesini ekranda "5:00" görüntülenene kadar çevirin.
3. (Mikrodalga) tuşuna bir kez basın, ekranda "PL10" görüntülenecektir.
4. (Mikrodalga) tuşuna bir kez daha basın ve ya %80 mikrodalga gücünü seçin düğmeyi çevirin.
5. Piştirme süresini ayarlamak için düğmesini cihazın ekranında "7:00" görüntülenene kadar çevirin.
6. Pişirmeye başlamak için (Başlat/+30 Saniye/Onayla) tuşuna basın, bittiğinde buz çözme süresi geri saymaya başlar, ikinci piştirme aşamasına girerken sesli uyarı bir kez çalar. Piştirme tamamlandıktan sonra, sesli uyarı beş kez çalar.

4.11 Sorgulama İşlevi

1. Mikrodalga, ızgara ve kombi modunda piştirme durumlarında, (Mikrodalga) veya (Izgara/Kombi) tuşuna basın, geçerli güç 3 saniye boyunca görüntülenecektir. 3 saniye sonra, cihaz eski durumuna dönecektir.

2. Piştirme durumundayken, saati sorgulamak için (Mutfak Zamanlayıcısı / Saat) tuşuna basın, saat 3 saniye boyunca görüntülenecektir.

4.12 Çocuk Kilidi

1. **Kilitleme:** (Dur/İptal) tuşuna 3 saniye boyunca basın, çocuk kilidi durumuna girildiğini belirten bip sesi duyulacak ve ekranda 0:00 görüntülenecektir.
2. **Kilitlemenin iptal edilmesi:** Kilit durumundayken, (Durdur/Sil) tuşuna 3 saniye boyunca basın, kilidin açıldığını belirten uzun bir "bip" sesi duyulacaktır.

4.13 Fırın kapağını açma

1. (Kapak açma) tuşuna basın, cihaz kapağı açılacaktır.

5 Temizlik ve bakım

5.1 Temizlik



UYARI: Cihazı temizlemek için kesinlikle benzin, solvent, aşındırıcı temizleyiciler, metal nesnelere veya sert fırçalar kullanmayın.



UYARI: Cihazı ya da elektrik kablosunu asla suya ya da diğer sıvılara batırmayın.

1. Cihazı kapatın ve fişini prizinden çekin.
2. Cihazın tamamen soğumasını bekleyin.
3. Cihazın içini temiz tutun. Gıda sıçramaları veya dökülen sıvılar cihaz duvarlarına yapıştığından nemli bir bezle silin. Cihaz çok kirlenirse yumuşak bir deterjan kullanılabilir. Kapak yüzeyinde lekeye, izlere veya matlaşmalara neden olabileceği için sprey ve diğer sert temizlik maddelerini kullanmaktan kaçının.
4. Cihazın dış yüzeyleri nemli bir bezle temizlenmelidir. Cihazın içindeki çalışan parçaların zarar görmesini önlemek için havalandırma açıklıklarından su sızmasına izin verilmemelidir.
5. Taşma ve sıçrama lekelerini çıkarmak için kapağın ve camın her iki yüzeyini, kapak contalarını ve contalara yakın parçaları sık sık nemli bir bezle silin. Aşındırıcı temizleyiciler kullanmayın.
6. Kontrol panelinin ıslanmasına izin vermeyin. Yumuşak ve nemli bir bezle temizleyin. Kontrol panelini temizlerken cihazın yanlışlıkla çalışmasını önlemek için cihaz kapağını açık bırakın.
7. Cihaz kapağının içinde veya çevresinde buhar birikirse yumuşak bir bezle silin. Cihazı yüksek nemli ortamlarda çalıştırıldığında buhar oluşumu meydana gelebilir. Bu durum normaldir.
8. Temizlik için bazen cam tablanın çıkartılması gerekebilir. Tablayı ılık köpüklü suda veya bulaşık makinesinde yıkayın.
9. Aşırı gürültünün önlenmesi için silindir halkası ve cihaz zemini düzenli olarak temizlenmelidir. Cihazın alt yüzeyini yumuşak bir deterjanla silmeniz yeterlidir.

Silindir halkası hafif köpüklü suda veya bulaşık makinesinde yıkanabilir. Temizlik için silindir halkasını cihaz iç boşluk zemininden çıkarttığınızda, geri takarken doğru konumda yerleştirdiğinizden emin olun.

10. Cihazınızdaki kokuları gidermek için, bir bardak su ve bir limonun suyu ile kabuklarını mikrodalgada kullanılabilir derin bir kaseye koyun ve cihazı 5 dakika süreyle mikrodalga modunda çalıştırın. İyice silin ve yumuşak bir bezle kurulayın.
11. Cihaz lambasını değiştirmek gerektiğinde değişim için lütfen yetkili servise başvurun.
12. Cihaz düzenli olarak temizlenmeli ve yiyecek artıkları çıkartılmalıdır. Cihazın temiz bir durumda tutulmaması, cihazın hizmet ömrünü olumsuz etkileyecek ve muhtemelen tehlikeli durumlara yol açacak yüzey bozulmalarına neden olabilir.
13. Lütfen bu cihazı evsel atıklarla birlikte atmayın; eski cihazlar belediyeler tarafından sağlanan özel atık merkezlerine atılmalıdır.
14. Cihazın ızgara fonksiyonu ile ilk kullanıldığında, hafif bir duman ve koku oluşabilir ve belirli bir kullanma süresi sonunda kaybolacaktır.

5.2 Saklama

- Cihazı uzun süre kullanmayı düşünmüyorsanız, lütfen dikkatli bir şekilde saklayın.
- Cihaz fişinin çekildiğinden, cihazın soğuduğundan ve tamamen kuru olduğundan emin olun.
- Cihazı serin ve kuru bir yerde saklayın.
- Cihazı, çocukların ulaşamayacağı bir yerde muhafaza edin.

5.3 Taşıma ve Nakliye

- Taşıma ve nakliye sırasında cihazı orijinal ambalajıyla birlikte taşıyın.
- Cihazın ambalajı, cihazı fiziksel hasarlara karşı koruyacaktır.
- Cihazın veya ambalajının üzerine ağır cisimler koymayın. Cihaz zarar görebilir.

6 Sorun giderme

Normal	
Cihaz TV'de parazitlenmeye neden oluyor	Cihaz çalışırken radyo ve TV'de parazitlenme olabilir. Mikser, elektrikli süpürge ve elektrikli vantilatör gibi küçük elektrikli cihazların neden olduğu parazitlenmeye benzer. Bu durum normaldir.
Fırın lambası kısık	Cihaz düşük güçte pişirme sırasında, fırın lambası kısılabilir. Bu durum normaldir.
Kapakta buhar birikiyor, havalandırma deliklerinden sıcak hava çıkıyor	Pişirme sırasında, gıdalardan buhar çıkabilir. Buharın çoğu havalandırma deliklerinden çıkacaktır. Ama bir kısmı fırın kapağı gibi soğuk bir yerde birikebilir. Bu durum normaldir.
İçinde gıda yokken fırın yanlışlıkla çalıştı	İçinde gıda yokken cihazın çalıştırılması yasaktır. Bu durum çok tehlikelidir.

Sorun	Olası Neden	Çözüm
Cihaz çalışmıyor	(1) Güç kablosu düzgün takılmamış.	Fişi çekin. Ardından, 10 saniye sonra fişi yeniden takın.
	(2) Sigorta atmıştır.	Sigortayı kaldırın.
	(3) Prizde sorun var.	Prizi başka elektrikli cihazlarla deneyin.
Cihaz ısıtmıyor	(4) Kapak iyi kapatılmamış.	Beko Yetkili Servisi çağırın.
Cihaz çalıştığında cam döner tabla gürültü yapıyor	(5) Döner tabla ve fırının alt kısmı kirli.	Kirli parçaları temizlemek için "Mikrodalga'nın Bakımı" bölümüne bakın.
Ekranda E-3 hatası var ve fırın çalışmıyor (MGB 25333 BG modeli için)	(6) Cihaz kapağının herhangi bir sebepten açılmaması (kapak önünde engel, düşük voltaj, vb.)	Fişi çekin. Ardından, 10 saniye sonra fişi yeniden takın.

7 Tüketici hizmetleri

Değerli Müşterimiz,

Beko Çağrı Merkezi haftanın 7 günü 24 saat hizmet vermektedir. Sabit veya cep telefonlarınızdan alan kodu tuşlamadan çağrı merkezi numaramızı arayarak ürününüz ile ilgili arzu ettiğiniz hizmeti talep edebilirsiniz. Çağrı merkezimiz ile yaptığınız görüşmeler iletişim hizmeti aldığınız operatör firma tarafından sizin için tanımlanan tarifeye göre ücretlendirilir. Çağrı Merkezimize ayrıca www.beko.com.tr adresindeki "Tüketici Hizmetleri" bölümünde bulunan formu doldurarak veya 0 216 423 23 53 nolu telefona faks çekerek de ulaşabilirsiniz. Yazılı başvurular için adresimiz: Arçelik Çağrı Merkezi, Arçelik A.Ş. Ankara Asfaltı Yanı, 34950 Tuzla/İSTANBUL

Beko Çağrı Merkezi
444 0 888

(Sabit telefonlardan veya cep telefonlarından alan kodu çevirmeden)

Diğer Numara:
0216 585 8 888

Aşağıdaki önerilere uymanızı rica ederiz.

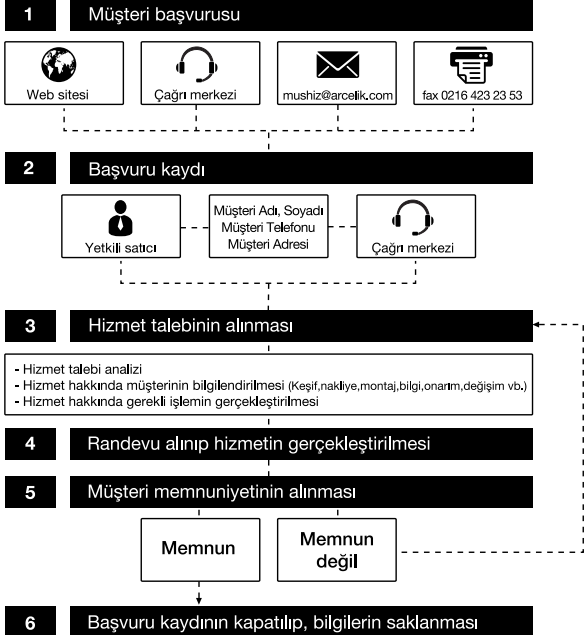
1. Ürününüzü aldığınızda Garanti belgesini Yetkili Satıcınıza onaylatınız.
2. Ürününüzü kullanma kılavuzu esaslarına göre kullanınız.
3. Ürününüz ile ilgili hizmet talebiniz olduğunda yukarıdaki telefon numaralarından Çağrı Merkezimize başvurunuz.
4. Hizmet için gelen teknisyene "teknisyen kimlik kartı" nı sorunuz.
5. İşiniz bittiğinde servis teknisyeninden "Hizmet Fişi" istemeyi unutmayınız. alacağınız "Hizmet Fişi" , ilerde ürününüzde meydana gelebilecek herhangi bir sorunda size yarar sağlayacaktır.
6. Ürünün kullanım ömrü: 10 yıldır. (Ürünün fonksiyonunu yerine getirebilmesi için gerekli yedek parça bulundurma süresi).

Müşteri Memnuniyeti Politikası

Arçelik A.Ş. olarak, hizmet verdiğimiz markamızın müşteri istek ve önerilerinin müşteri profili ayrımı yapılmaksızın her kalandan (çağrı merkezi, e-posta, www.beko.com.tr, faks, mektup, sosyal medya, bayi) rahatlıkla iletişilebildiği, izlenebilir, raporlanabilir, şeffaf ve güvenli tek bir bilgi havuzunda toplandığı, bu kayıtların yasal düzenlemelere uygun, objektif, adil ve gizlilik içinde ele alındığı, değerlendirildiği ve süreçlerin sürekli kontrol edilerek iyileştirildiği, mükemmel müşteri deneyimini yaşatmayı ana ilke olarak kabul etmiş müşteri odaklı bir yaklaşımı benimsemekteyiz.

Yaklaşımımıza paralel olarak tüm süreçler yönetim sistemi ile entegre edilerek, birbirini kontrol eden bir yapı geliştirilmiş olup, yönetim hedefleri de bu sistem üzerinden beslenmektedir.

Hizmet talebinin değerlendirilmesi



Kullanım Hataları ve Garanti ile İlgili Dikkat Edilmesi Gereken Hususlar

Aşağıda belirtilen sorunların giderilmesi ücret karşılığında yapılır. Bu durumlar için garanti şartları uygulanmaz;

- 1) Kullanım hatalarından kaynaklanan hasar ve arızalar,
- 2) Malın tüketiciye tesliminden sonraki yükleme, boşaltma, taşıma vb. sırasında oluşan hasar ve arızalar,
- 3) Malın kullanıldığı yerin elektrik, su, doğalgaz, telefon vb. şebekesi ve/veya altyapısı kaynaklı meydana gelen hasar ve arızalar,
- 4) Doğa olayları ve yangın, su baskını vb. kaynaklı meydana gelen hasar ve arızalar,
- 5) Malın tanıtma ve kullanma kılavuzlarında yer alan hususlara aykırı kullanılmasından kaynaklanan hasar ve arızalar,
- 6) Malın, 6502 sayılı Tüketicinin Korunması Hakkındaki Kanununda tarif edilen şekli ile ticari veya mesleki amaçlarla kullanımı durumunda ortaya çıkan hasar ve arızalar,

Mala yetkisiz kişiler tarafından bakım, onarım veya başka bir nedenle müdahale edilmesi durumunda mala verilmiş garanti sona erecektir.

Garanti uygulaması sırasında değiştirilen malın garanti süresi, satın alınan malın kalan garanti süresi ile sınırlıdır.

Garanti Belgesi

Mikrodalga Fırın

GARANTİ ŞARTLARI

- 1) Garanti süresi, malın teslim tarihinden itibaren başlar ve 2 yıldır.
- 2) Malın tanıtma ve kullanma kılavuzunda gösterildiği şekilde kullanılması ve Arçelik A.Ş.'nin yetkili kıldığı servis çalışanları dışındaki şahıslar tarafından bakım, onarım veya başka bir nedenle müdahale edilmemiş olması şartıyla, malın bütün parçaları dahil olmak üzere tamamını; malzeme, işçilik ve üretim hatalarına karşı malın teslim tarihinden itibaren yukarıda belirtilen süre kadar garanti eder.
- 3) Malın ayıplı olduğunun anlaşılması durumunda tüketicici, 6502 sayılı Tüketicinin Korunması Hakkında Kanununun 11 inci maddesinde yer alan;
a- Sözleşmeden dönme, c- Ücretsiz onarılmasını isteme,
b- Satış bedelinden indirim isteme, ç- Satılan ayıpsız bir misli ile değiştirilmesini isteme,
haklarından birini kullanabilir.
- 4) Tüketicinin bu haklardan ücretsiz onarım hakkını seçmesi durumunda satıcı; işçilik masrafı, değiştirilen parça bedeli ya da başka herhangi bir ad altında hiçbir ücret talep etmeksizin malın onarımını yapmak veya yaptırmakla yükümlüdür. Tüketicici ücretsiz onarım hakkını üretici veya ithalatçıya karşı da kullanabilir. Satıcı, üretici ve ithalatçı tüketicinin bu hakkını kullanmasından müstesilsen sorumludur.
- 5) Tüketicinin, ücretsiz onarım hakkını kullanması halinde malın;
- Garanti süresi içinde tekrar arızalanması,
- Tamiri için gereken azami sürenin aşılması,
- Tamirinin mümkün olmadığının, yetkili servis istasyonu, satıcı, üretici yada ithalatçı tarafından bir raporla belirlenmesi durumlarında;
tüketicici malın bedel iadesini, ayıp oranında bedel indirimini veya imkân varsa malın ayıpsız misli ile değiştirilmesini satıcıdan talep edebilir. Satıcı, tüketicinin talebini reddedemez. Bu talebin yerine getirilmemesi durumunda satıcı, üretici ile ithalatçı müstesilsen sorumludur.
- 6) İlgili mevzuatlarda belirlenen kullanım ömrü süresince malın azami tamir süresi 20 iş gününü, geçemez. Bu süre, garanti süresi içerisinde mala ilişkin arızanın yetkili servis istasyonuna veya satıcıya bildirim tarihinde, garanti süresi dışında ise malın yetkili servis istasyonuna teslim tarihinden itibaren başlar. Garanti kapsamı içerisindeki malın arızasının 10 iş günü içerisinde giderilememesi halinde, üretici veya ithalatçı; malın tamiri tamamlanuncaya kadar, benzer özelliklere sahip başka bir malı tüketicinin kullanımına tahsis etmek zorundadır. Benzer özelliklere sahip başka bir malın tüketicici tarafından istenmemesi halinde üretici veya ithalatçılar bu yükümlülüğünden kurtulur. Malın garanti süresi içerisinde arızalanması durumunda, tamirde geçen süre garanti süresine eklenir.
- 7) Malın kullanma kılavuzunda yer alan hususlara aykırı kullanılmasından kaynaklanan hasar ve arızalar garanti kapsamı dışındadır.
- 8) Tüketicici, garantiden doğan haklarının kullanılması ile ilgili olarak çıkabilecek uyuşmazlıklarda yerleşim yerinin bulunduğu veya tüketicici işleminin yapıldığı yerdeki Tüketicici Hakem Heyetine veya Tüketicici Mahkemesine başvurabilir.
- 9) Satıcı tarafından bu Garanti Belgesinin verilmemesi durumunda, tüketicici Gümrük ve Ticaret Bakanlığı Tüketicinin Korunması ve Piyasa Gözetimi Genel Müdürlüğüne başvurabilir.

Üretici veya İthalatçı Firmamız:

Unvanı: Arçelik A.Ş.
Adresi: Arçelik A.Ş. Karaağaç Caddesi No:2-6,
34445, Sütüççe / İSTANBUL
Telefonu: (0-216) 585 8 888
Faks: (0-216) 423 23 53
web adresi: www.beko.com.tr

Malın

Markası: Beko
Cinsi: Mikrodalga Fırın
Modeli: MCB 25433 BG / MCB 25433 X
Bandrol ve Seri No:
Garanti Süresi: 2 YIL
Azami Tamir Süresi: 20 İş günü

GENEL MÜDÜR

Hakan Beyel

Arçelik A.Ş.

GENEL MÜDÜR YRD.

Çetin

Satıcı Firmamız:

Unvanı:
Adresi:
Telefonu:
Faks:
e-posta:

Fatura Tarih ve Sayısı:
Teslim Tarihi ve Yeri:
Yetkilinin İmzası:
Firmamız Kaşesi:

Bu bölümü, ürünü aldığınız Yetkili Satıcı imzalayacak ve kaşeyecektir.